

**Technical Data for Carbon Zinc Battery**

**Type: 6F22KG**

2012/12/17

**TOSHIBA HOME APPLIANCES CORPORATION**  
**Battery Business Div.**

**Ratings**

Battery system		Carbon Zinc Battery	
Item			
Battery type		6F22	
Nominal Voltage		9.0 V	
Standard Capacity (Service Life)		Discharge condition	Service Life
		(1) 180Ω 30min/Day (End-Voltage:4.8V)	: 8.6 hours.
		(2) 620Ω 2h/Day (End-Voltage:5.4V)	: 30.0 hours.
Standard Weight		35.0 g	
Terminals	Cap Terminals	Brass + Ni plate	
	Base Terminals	Brass + Sn plate	
Outer dimensions	Overall height	48.5(0/-2.0) mm	
	Length	26.5(0/-2.0) mm	
	Wide	17.5(0/-2.0) mm	
Usable temperature range		-10 ~ 45deg.C	
Storage temperature range			

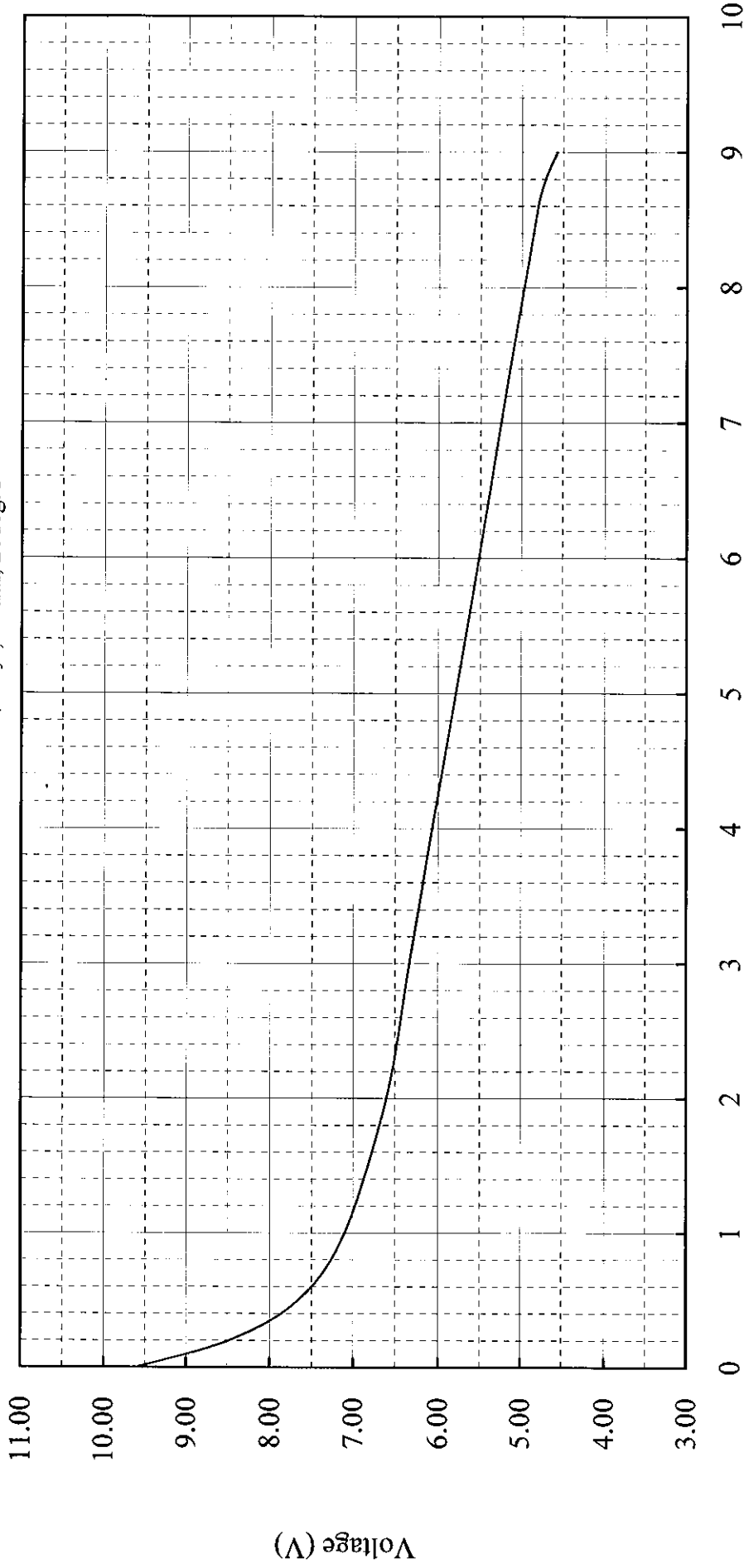
QMC-K

This is only for reference.(not guaranteed.) This information contained herein may be changed without prior notice.

Proprietary materials of TOSHIBA HOME APPLIANCES CORPORATION

**6F22KG Discharge Characteristics**

Test condition : 180  $\Omega$  30min/Day , Initial, 20deg.C



Service Life (h)

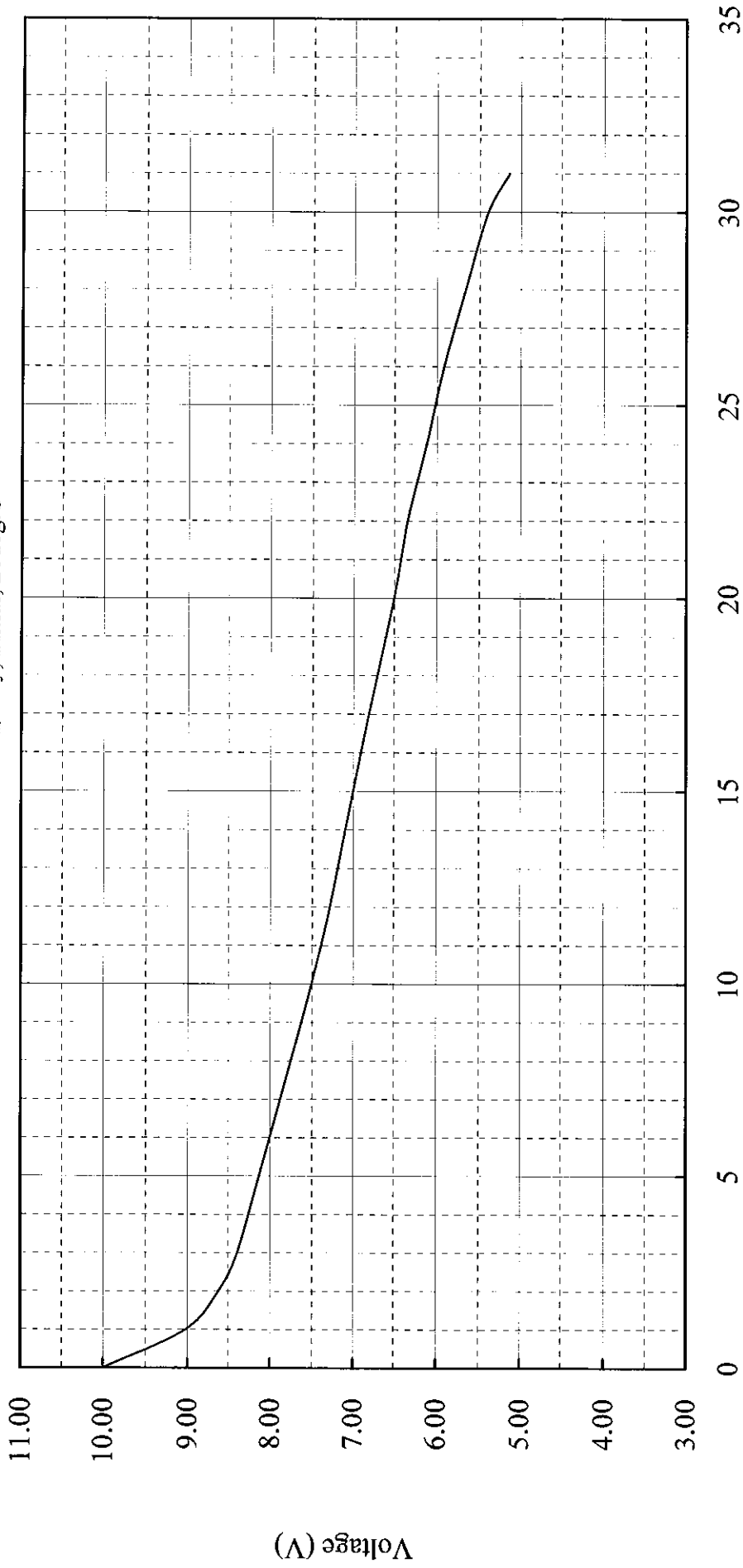
RIW-K

This is only for reference. (not guaranteed.) The information contained herein may be changed without prior notice.

Proprietary materials of TOSHIBA HOME APPLIANCES CORPORATION

### 6F22KG Discharge Characteristics

Test condition : 620Ω 2h/Day, Initial, 20deg.C



Service Life (h)

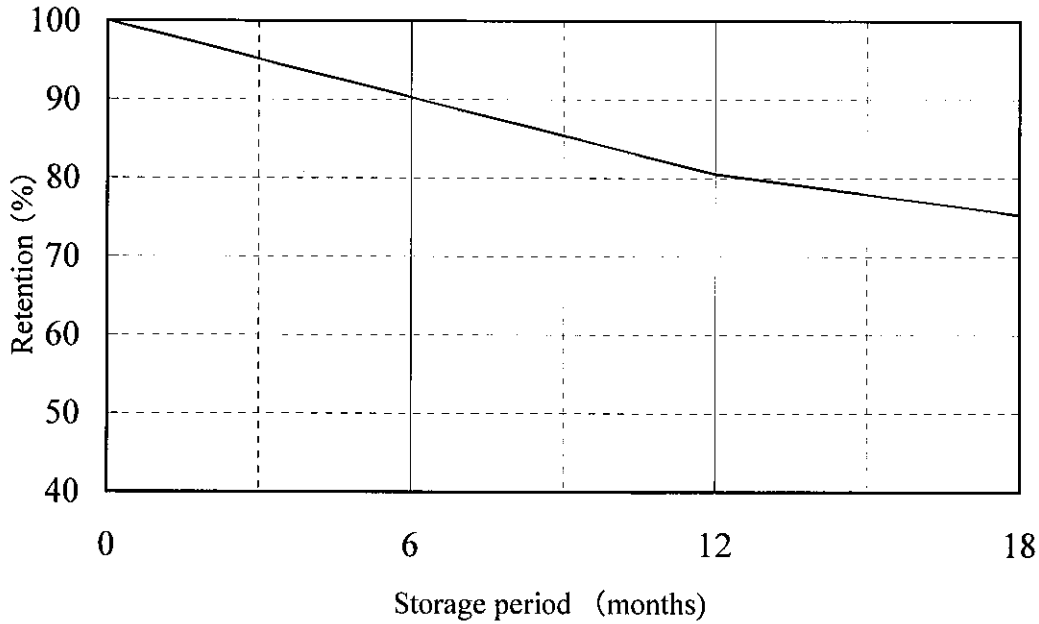
RIW-K

This is only for reference. (not guaranteed.) The information contained herein may be changed without prior notice.

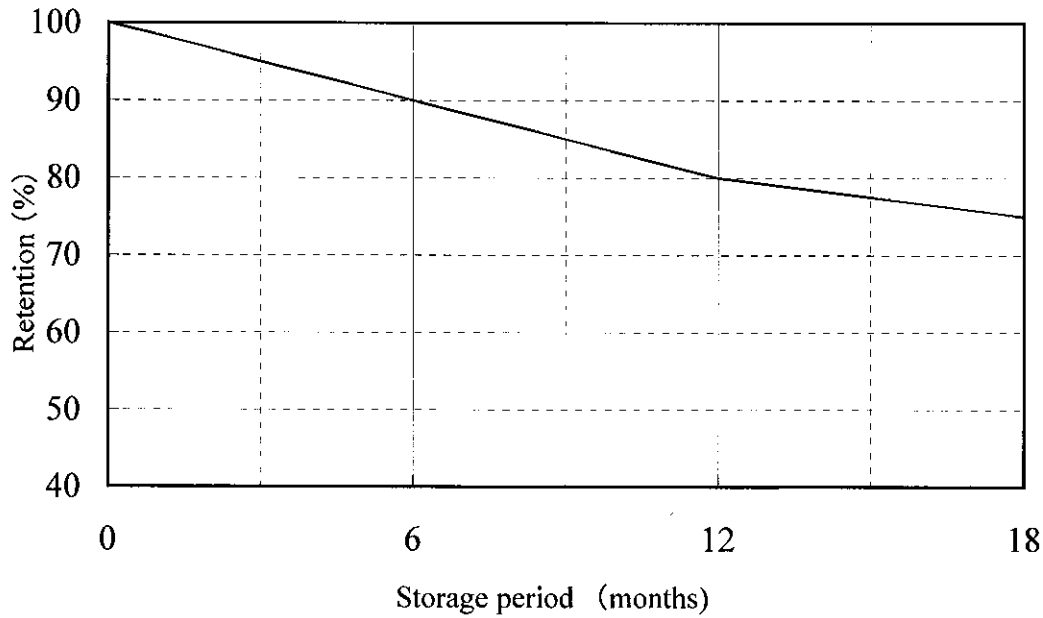
Proprietary materials of TOSHIBA HOME APPLIANCES CORPORATION

### 6F22KG Storage Characteristics

(1) Discharge condition: 180Ω 30min/Day End-voltage 4.8V



(2) Discharge condition: 620Ω 2h/Day End-voltage 5.4V



- [Note] 1. Discharge temperature, relative humidity: 20±2°C, (65±20)%RH  
2. Storage temperature, relative humidity: 20±2°C, (65±20)%RH  
3. Retention: Self-discharge rate

This is only for reference.(not guaranteed.) This information contained herein may be changed without prior notice.

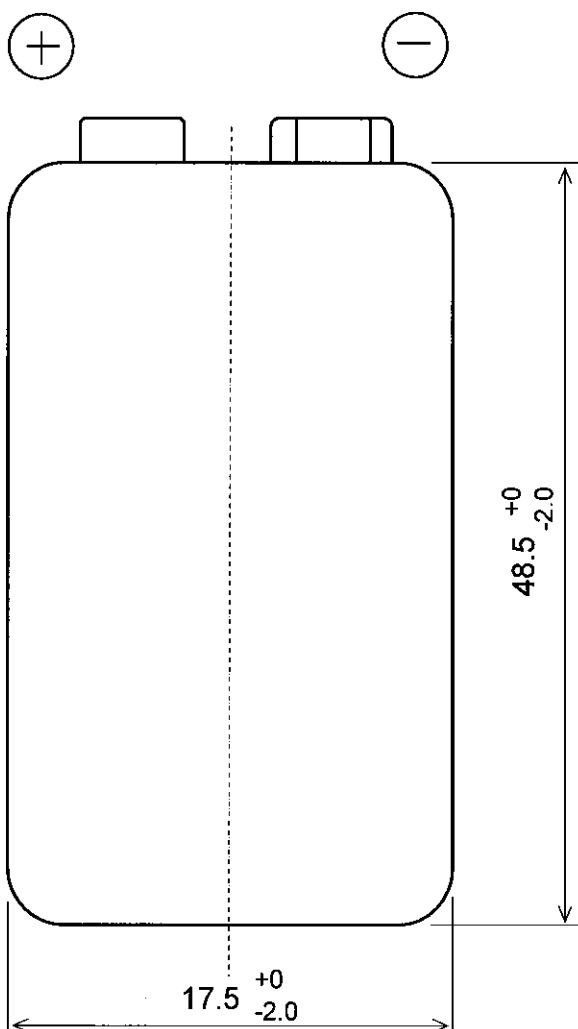
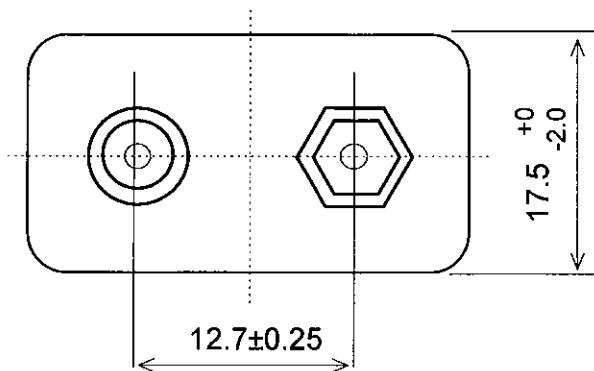
**6F22KG Leakage Performance**

Test items		Electrolyte Leakage (%)					
		20days	40days	60days	90days	1year	1.5ar
Test condition	Storage period						
	Room temperature	0	0	0	0	0	0
	Storage at high temperature and high humidity	0	0	0	-	-	-

This is only for reference.(not guaranteed.) This information contained herein may be changed without prior notice.

Proprietary materials of TOSHIBA HOME APPLIANCES CORPORATION

**6F22KG Battery Dimensions**



Unit: mm  
Terminals: Snap terminal  
Outer shell: Metal jacket

This is only for reference.(not guaranteed.) This information contained herein may be changed without prior notice.

Proprietary materials of TOSHIBA HOME APPLIANCES CORPORATION