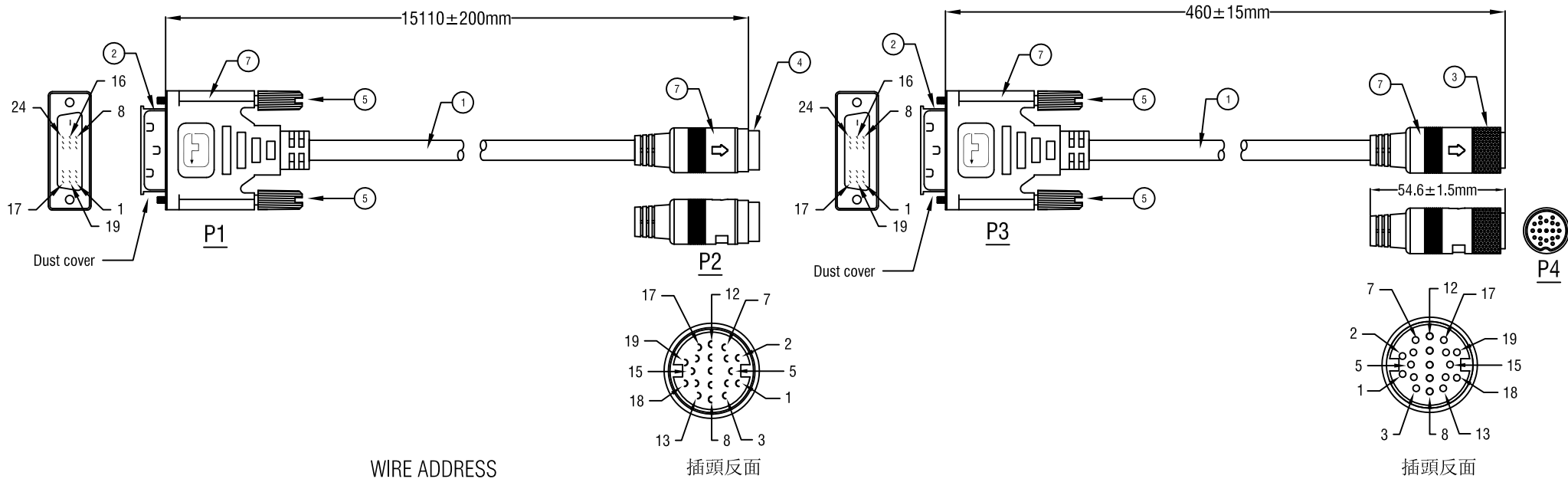
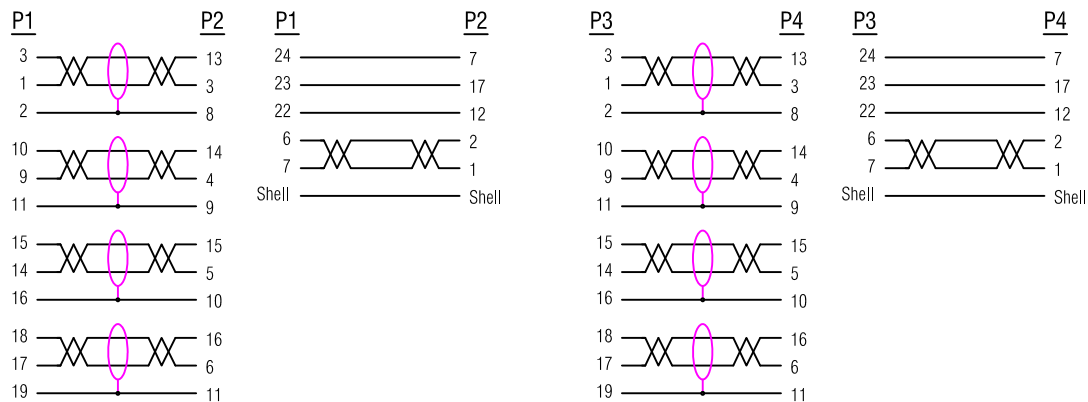


RoHS Compliant



WIRE ADDRESS



Electrical Test:

1. 100% TEST OPEN SHORT MIS-WIRE.
2. CONTACT RESISTANCE: 3Ω MAX.
3. INSULATION RESISTANCE: 5MΩ MIN.
4. HI-POT: 300V DC/10MS.
5. Real Test Passed 1600*1200 60Hz.
6. Real Test Not Twinkling, Double Vision and Decolor.

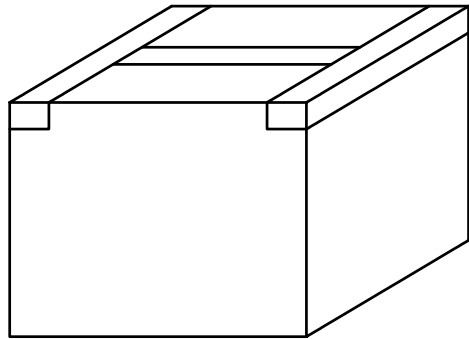
D	增加DIN19P模型尺寸	2017-10-17
C	更改插頭PIN為跟接點	2016-05-11
B	Revise the length to end to end	2016-04-25
VER.A	REVISE	DATE

NUMBER	PRODUCT SPECIFICATIONS	Quantity	Unit
6	45P BLACK PVC		G
5	SCREW: #4*40 INCH SCREW	4	PCS
4	DIN 19P FEMALE(Black Insulator,Nickel Plated)	1	PCS
3	DIN 19P MALE(Black Insulator,Nickel Plated)	1	PCS
2	DVI 18+1 MALE(Black Insulator,Nickel Plated)	2	PCS
1	UL20276 (28#*1P+D+AL)*5C+28#*4C+ADB, OD=7.3 BLACK PVC JACKET Printing: DVI	1	PCS

Company: CONRAD

Item	1070354	
Draw	Kobe	Date: 2013.11.08
Approval		
Duty	F16	

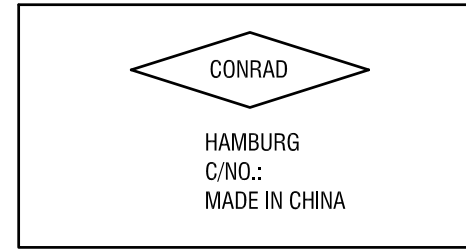
RoHS Compliant



8PCS/CTN (450*340*280mm)

CONRAD
GERMANY
BEST NO.: 1070354
PCS.: 8PCS
MODEL NO.: DIN19-DVI-15M
ORDER NO.:
WEIGHT(KG.): KGS

外箱側麥

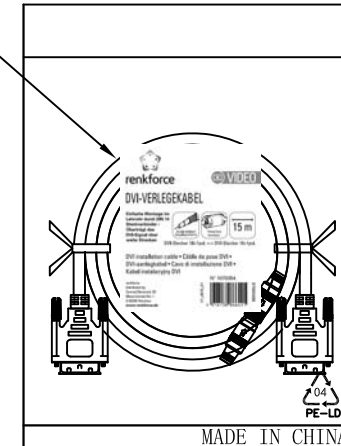


外箱正麥



Barcode(100*85mm)

Barcode



1PCS/PE Bag(0.06*340*400mm) + Barcode

D	更改貼紙	2016-09-14
C	更改紙箱尺寸	2016-06-13
B	更改貼紙	2016-04-20
VER.A	REVISE	DATE

Company: CONRAD

Item	1070354	
Draw	Kobe	Date: 2013.01.21
Approval		
Duty	F16	