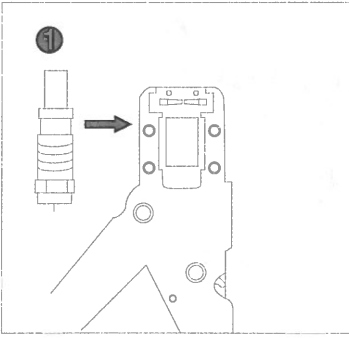
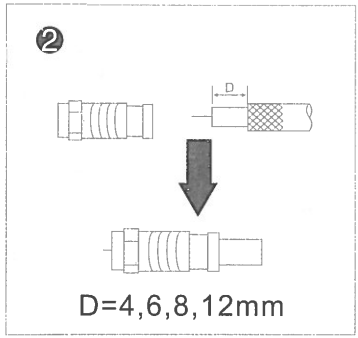


Instructions :

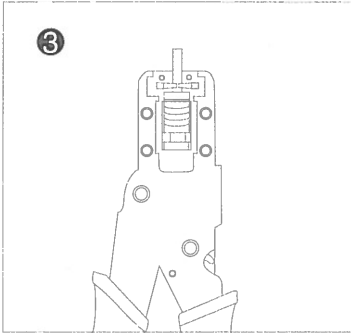


• Release the handle.



D=4,6,8,12mm

• Assembly the connector with stripped coax cable.



• Squeeze the handles entirely until ratchet release as fig.3.

		BNC WATERPROOF CONNECTOR	
Before Crimp		Before	
After Crimp		After	

Works on Augat/T&B Snap-N-Seal™ Connectors, Paladin SealTite Connectors, and AIM CATV F water proof connectors.

HT-	FOR CRIMPING F CONNECTOR	COMPRESSED DISTANCE
508	RG-59(4C),RG-6(5C)	21.00 ± 0.15
508A	RG-59(4C),RG-6(5C)	19.30 ± 0.15
508B	RG-59(4C),RG-6(5C)	19.70 ± 0.15
508C	RG-59(4C),RG-6(5C)	20.30 ± 0.15
508D	RG-59(4C),RG-6(5C) Non-Ratchet Type	20.70 ± 0.15
508E	RG-59(4C),RG-6, BNC WATERPROOF CONNECTORS	

1082756

F-Kompressionszange für Kabel 6,8mm + 7,4mm

Menge: 1

0413020

KD-

20.07.2017 11:24



4 0 0 1 1 3 7 6 7 0 1 2 2 0