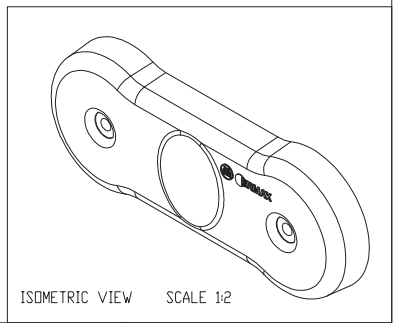


STANDARD TOLERANCES	
<6	±0.2
>6 <18	±0.3
>18 <30	±0.4
>30 <50	±0.5
>50 <80	±0.6
>80 <120	±0.7
>120 <180	±0.8
>180 <250	±1.0
>250 <315	±1.2
>315 <400	±1.5
>400 <500	±1.8

COMPONENTS				
Nr.	DESIGNATION	REFERENCE	QTY.	RAW MATERIAL
1	Red Glass SM TLK	300611	1 Un.	Red PMMA
2	Cable housing SM TLK	101417	1 Un.	Black ABS
3	LED plate BETA/SM TLK 12v0,29w/24v1.77w	LP0063	1 Un.	-
4	OPEN CABLE ADR (TU . EEG . 52 - 01) SM TLK	0.5mt - C10320 1.5mt - C10321 5.0mt - C10337	1 Un.	-
5	Resin SIKA Melt	300518	4 Gr.	-



UNLESS OTHERWISE SPECIFIED:
DIMENSIONS ARE IN MILLIMETERS
SURFACE FINISH:
TOLERANCES:
LINEAR:
ANGULAR:

FINISH:
DEBUR AND
BREAK SHARP
EDGES

DO NOT SCALE DRAWING
REVISION 0
TEKL S. A.

	NAME	SIGNATURE	DATE		
DRAWN	TS		04/08/2010		
CHK'D	MC		04/08/2010		
APP'V'D	CR		04/08/2010		
MFG					
Q.A				MATERIAL:	
				WEIGHT:	

TITLE:
**REAR MARKER TLK RED
(Open cable)**

DWG. NO. 0.5mt FR2468 / TM098204505 (ERMAX)
1.5mt FR2469 / ... (ERMAX)
5.0mt FR2470 / TM098204507 (ERMAX)

SCALE: 1:1 SHEET 1 OF 1

A4