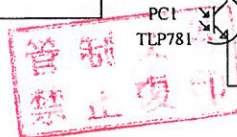


NOTE:

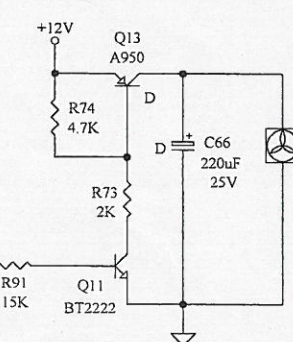
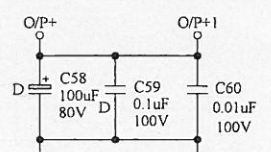
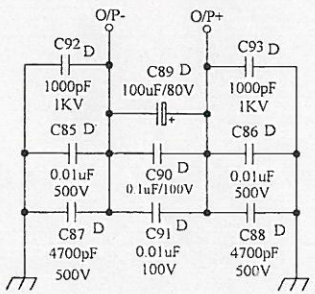
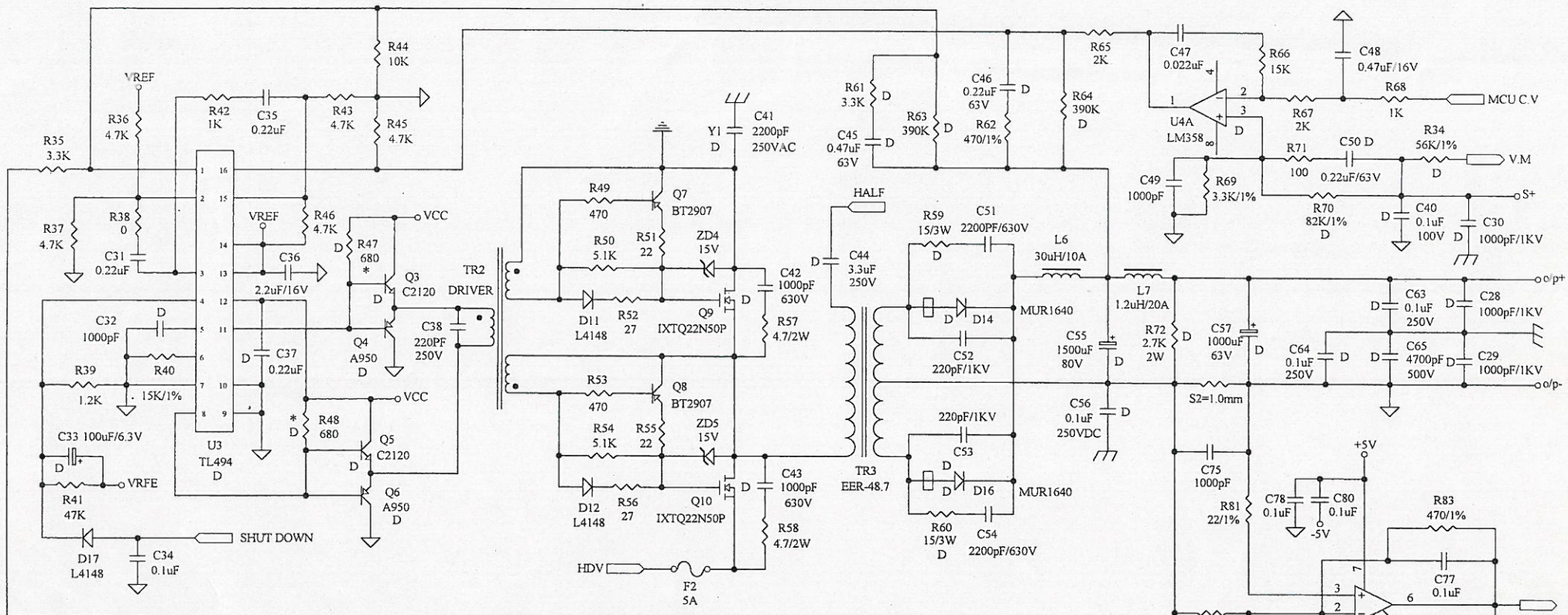
1: ALL RESISTORS ARE 1/8W AND ALL ELECTROLYTIC CAPACITORS AND NP CAPACITORS ARE 50V UNLESS OTHERWISE SPECIFIED

2: * — 1/4W RESISTORS

3: S — SMT



TITLE: HCS-3400-000 PFC		DWG.NO.: 9800-3400-0000	
DRAWN BY:	CHECKED BY:	APPROVED BY:	
SHEET 1 OF 2		REVISION: 1.2	DATE: 16-09-2011

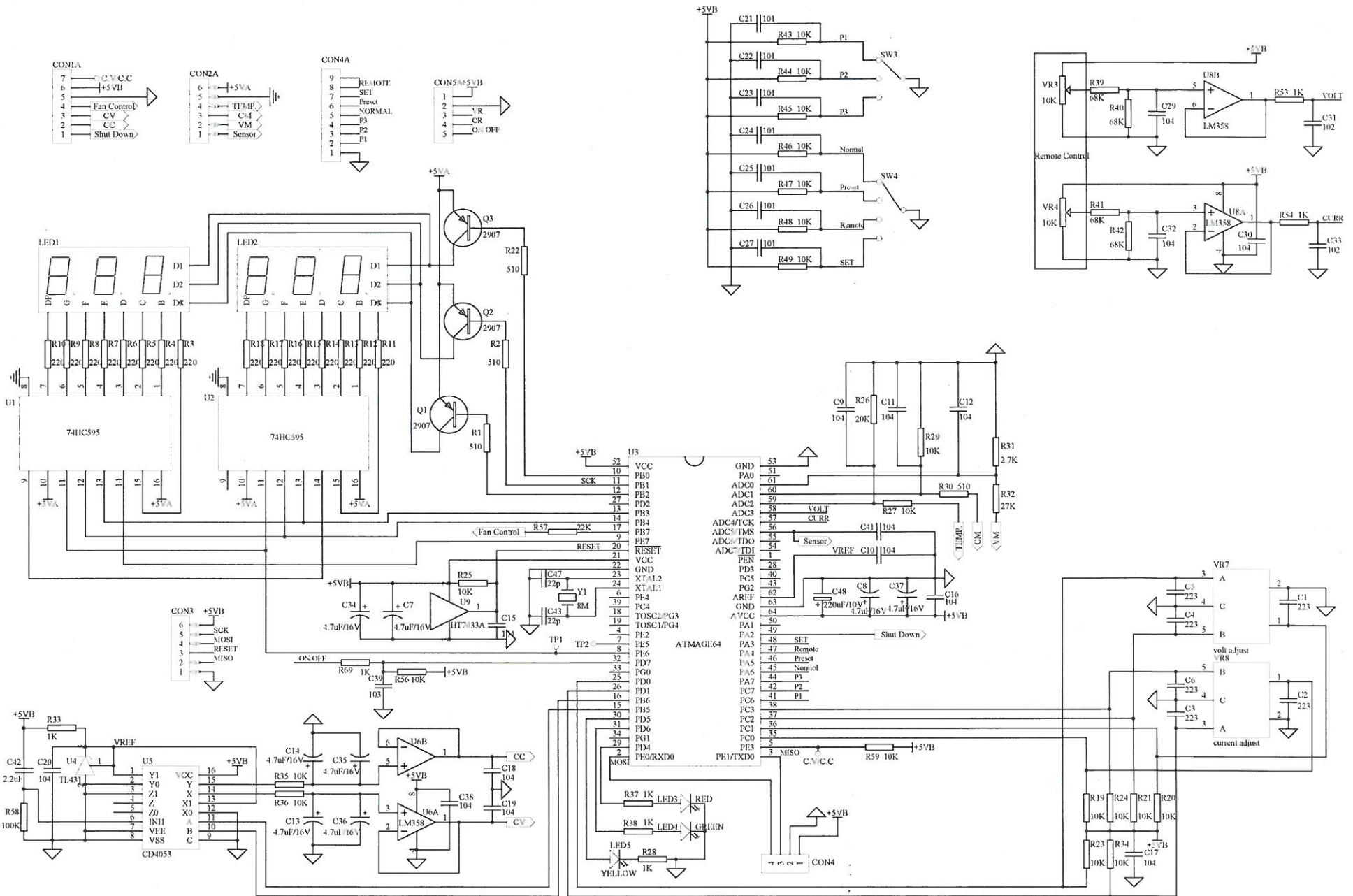


NOTE:

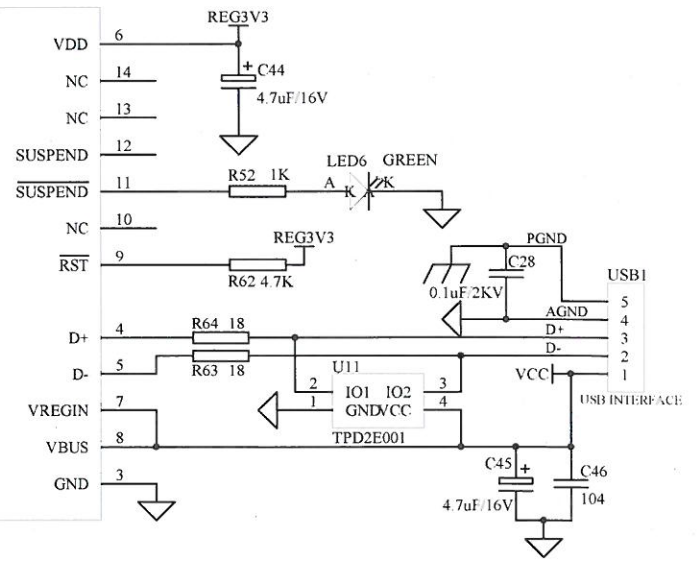
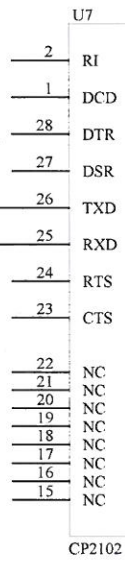
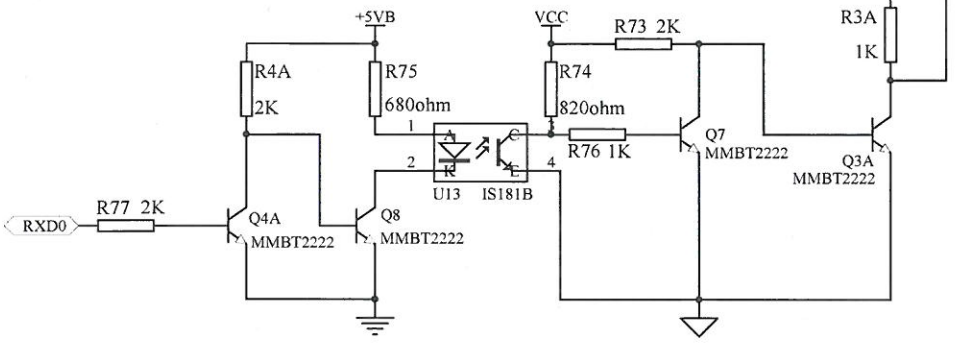
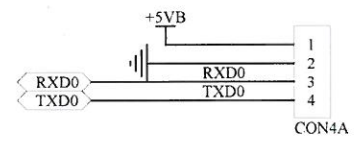
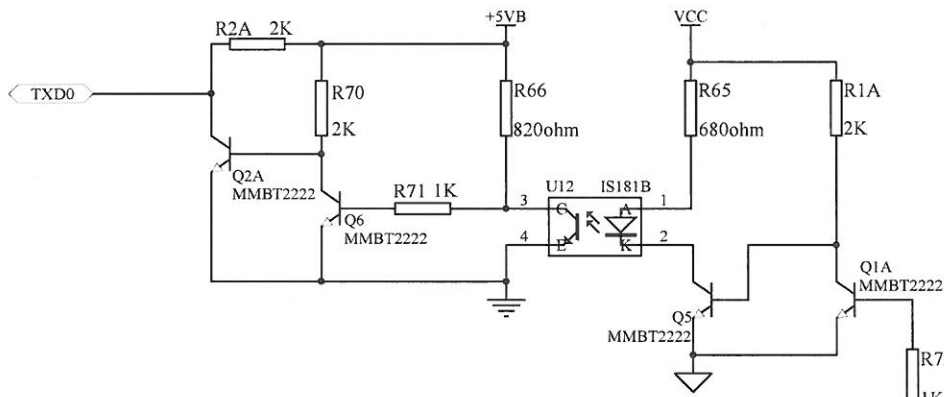
- 1: ALL RESISTORS ARE 1/8W AND ALL ELECTROLYTIC CAPACITORS AND NP CAPACITORS ARE 50V UNLESS OTHERWISE SPECIFIED
- 2: * — 1/4W RESISTORS

管制文件
禁止復印

TITLE: HCS-3404-000 DC-DC CONVERTER	DWG.NO.: 9800-3404-0000
DRAWN BY: [Signature]	CHECKED BY: [Signature]
APPROVED BY: [Signature]	SHEET 2 OF 2
	REVISION 1.4
	DATE 05-11-2009



TITLE: HCS Series MCU Control Circuit(software 3.0)	DWG.NO: 9801-3100-0000	SHEET 1 OF 1	REVISION: 1.0	DATE: 2014-05-25
DRAWN BY:	CHECKED BY: <i>李德云</i>	APPROVED BY: <i>甘桂庭</i>		



TITLE: HCS SERIES USB CIRCUIT(softwave 3.0)		DWG NO: 9801-3100-0010	
DRAWN BY:	CHECKED BY: <i>李俊</i>	APPROVED BY: <i>甘桂庭</i>	SHEET 1 OF 1
		REVISION: 1.0	2014-05-19