

PIN No	NAME	DESCRIPTION
1	CD/DAT3	CARD DETECTION
2	CMD	COMMAND/ANSWER
3	Vss1	GND
4	Vdd	POWER SUPPLY
5	CLK	CLOCK
6	Vss2	GND
7	DAT0	Connector data line 0
8	DAT1	Connector data line 1
9	DAT2	Connector data line 2

TECHNICAL CHARACTERISTICS

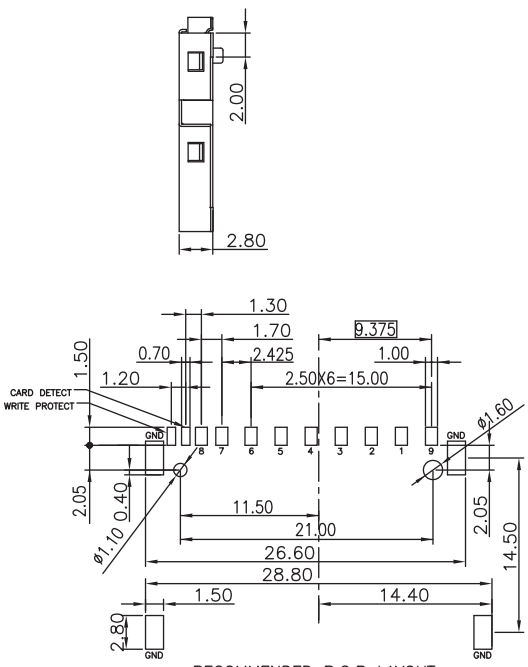
MATERIAL
 INSULATOR: PA9T
 FLAMABILITY RATING: UL94-V0
 COLOR: BLACK
 CONTACT MATERIAL: COPPER ALLOY
 CONTACT TYPE: STAMPED
 CONTACT PLATING: SELECTIVE GOLD
 SHIELDING: COPPER ALLOY
 SHIELDING PLATING: NICKEL
 QUALITY CLASS: 10000 MATING CYCLES

ENVIRONMENTAL
 OPERATING TEMPERATURE: -25 UP TO 85°C
 COMPLIANCE: LEAD FREE AND ROHS

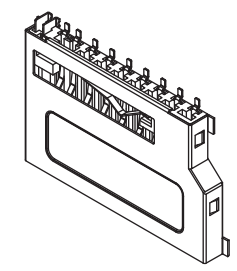
ELECTRICAL
 CURRENT RATING: 0.5A
 WORKING VOLTAGE: 100VAC
 INSULATOR RESISTANCE: >1000 MOHM
 DIELECTRIC WITHSTANDING VOLTAGE: 500VAC/MN
 CONTACT RESISTANCE: 100 mOHM MAX

SOLDERING
 REFLOW PROCESS ONLY

PACKAGING
 TAPE & REEL



RECOMMENDED P.C.B LAYOUT
 TOLERANCES: ±0.05mm



RoHS Compliant			
F	10-SEP-13	DIM UPDATE	QL
E	27-MAR-12	PINNING	QL
D	07-MAR-12	PAGE 2 SWITCH	GG
C	22-FEB-12	PAGE 2	GG
B	16-FEB-12	TKP	GG
A	11-AUG-31	PDF	GG
REV	DATE	FILE	BY

PROJECTION:	
APPROVAL: RJ	

GENERAL TOLERANCE
.X = +/- 0.2
.XX = +/- 0.15

UNIT: MM
SCALE:
SHEET: 1/3
DRAW: VICKY

DESCRIPTION: SD Card Connector - Push & Pull - Short Type With Card Detection - 9 pins	
WERI PART NO: 693 063 020 911	

SIZE
A4

A
B
C
D

1

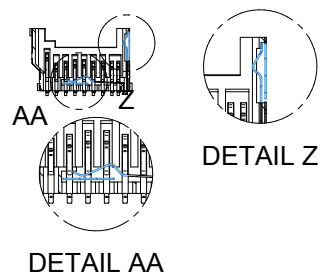
2

3

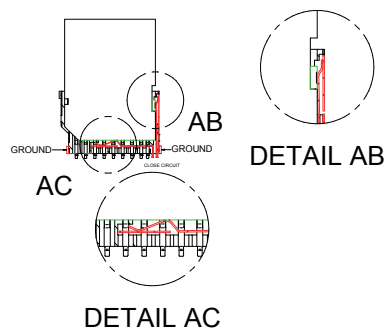
4

5

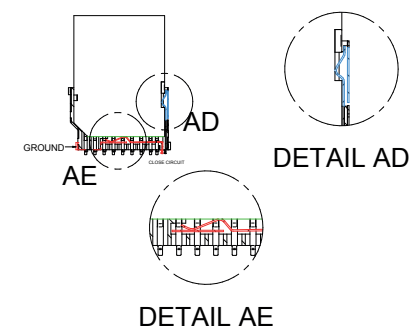
Contact OFF



Contact ON / LOCK OFF



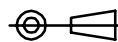
Contact ON / LOCK ON



Card detection switch		Write protection switch		
Card removed	Card inserted	Card removed	Card inserted	
			Write Protect	Write enable
OPEN	CLOSE	OPEN	OPEN	CLOSE

RoHS Compliant

PROJECTION:



GENERAL TOLERANCE

.X = ± 0.2 .XX = ± 0.15 

APPROVAL: RJ

UNIT: MM

SCALE:

SHEET: 2/3

DRAW: VICKY

DESCRIPTION: SD Card Connector - Push & Pull - Short Type
With Card Detection - 9 pins

WERI PART NO: 693 063 020 911

SIZE

A4

REV

DATE

FILE

BY

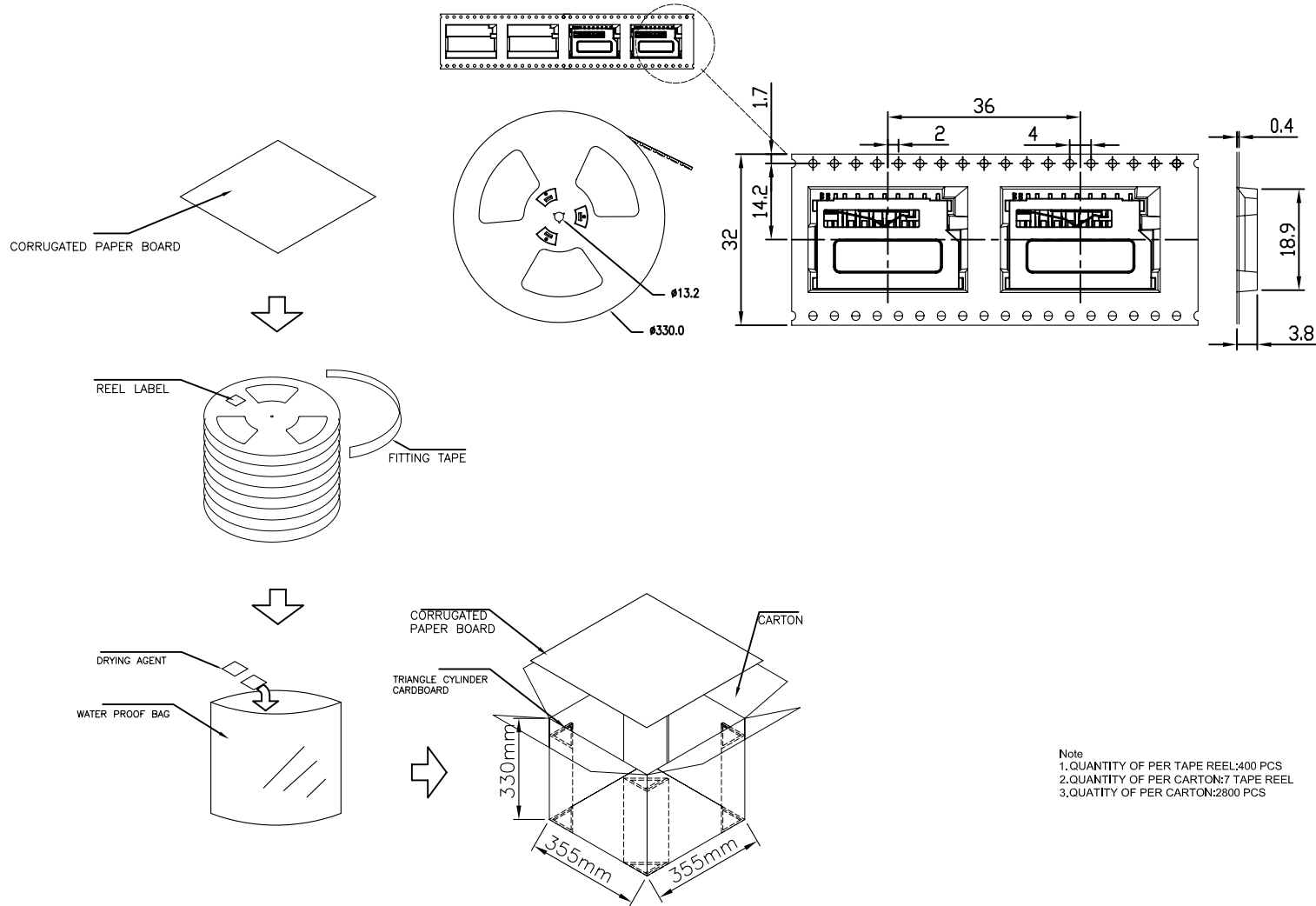
1

2

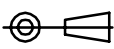

3

4

5



Note
 1. QUANTITY OF PER TAPE REEL: 400 PCS
 2. QUANTITY OF PER CARTON: 7 TAPE REEL
 3. QUANTITY OF PER CARTON: 2800 PCS

RoHS Compliant				PROJECTION: 	GENERAL TOLERANCE .X = +/- 0.2 .XX = +/- 0.15		DESCRIPTION: SD Card Connector - Push & Pull - Short Type With Card Detection - 9 pins	SIZE A4
				APPROVAL: RJ	UNIT: MM	WERI PART NO: 693 063 020 911		
					SCALE:			
REV	DATE	FILE	BY		SHEET: 3/3			
					DRAW: VICKY			

A

B

C

D