

Tilt Flat Panel Bracket

Installation instruction

Warning Statements

	Prior to the installation of this product, the installation instructions should be read and completely understood. The installation instructions must be read to prevent personal injury and property damage. Keep these instructions in an easily accessible location for future reference.
	Recommended mounting surfaces: wooden studs and brick. If the mount is to be installed on any surface other than wooden studs, use suitable hardware (which is commercially available).
	Do not install on a structure that is prone to vibration, movement or chance of impact. Failure to do so could result in damage to the display and/or damage to the mounting surface.
	Don't install near heater, fireplace, direct sunlight, air conditioning or any other source of direct heat energy. Failure to do so may result in damage to the display and could increase the risk of fire.
	The maximum loading weight is 165 lbs. Use heavier than that will cause injury. See apparatus instruction
	A secure structure must support the weight or load of the display. When mounting to a wall that contains wooden studs, dead center of the wooden stud must be confirmed prior to installation.
	At least two qualified people should perform the installation procedure. Injury and/or damage can result from dropping or mishandling the display.

IMPORTANT: If you don't understand the right install ways, please consult to normal installing specialist

Hardware kit:

A	(×4) M5×16 screw		H	(×4) M8 Bolt	
B	(×4) M6×16 screw		I	(×4) Concrete anchor	
C	(×4) M8×16 screw		J	(×4) M8 Washer	
D	(×4) M5×30 screw		K	(×4) M8 Spacer	
E	(×4) M6×30 screw		L	(×4) M6 Spacer	
F	(×4) M8×30 screw		M	(×2) NUT	
G	(×4) M8/M6/M5 Washer		N	(×2) screw for Nut	
			O	(×2) Plastic washer	

Step1: Wall plate installation

Wood Stud Installation

NOTE: For secure wood stud mounting, the wall plate must be mounted to two studs at least 16" apart.

- 1 Use a high-quality electronic stud finder (commercially available) to locate two adjacent studs and mark their locations with a pencil.
- 2 With the help of an assistant, and using the bubble level to ensure the wall plate is level, position the wall plate against the wall in the desired mounting location.
- 3 Mark the right (upper and lower) and the left (upper and lower) positions of the small horizontal slots that are in alignment with the studs.
- 4 You should mark four positions total.
- 5 Next, Pre-drill a 5mm hole 50mm depth in the wall stud at each marked location.
- 6 please position the wall plate against the wall and line up the mounting slots with drilled holes
- 7 For each location, insert a lag bolt and washer(J) into the wall
- 8 Tighten bolt with an open ended socket wrench by turning clockwise until tight.

CAUTION: Do not over-tighten bolts-doing so many cause unnecessary damage to the wall. Avoid excessive torque.

CAUTION: Do not release the wall plate until it is properly mounted and secured to the wall.

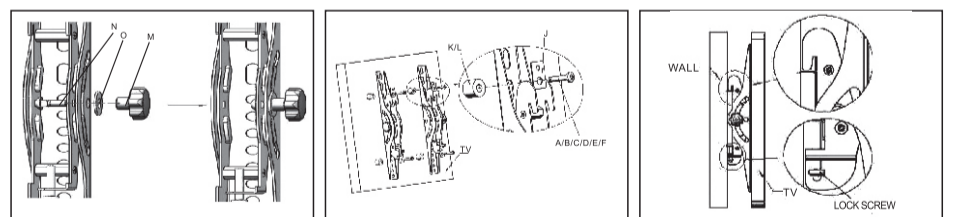
b Concrete/Brick Installation

NOTE: The concrete anchors must be used for concrete installation.

- 1 Begin by placing the wall plate into position against the wall. using the bubble level to keep it level.
- 2 Mark off four holes to be used for securing the mount and place the wall
- 3 Next, drill holes using an electric drill and 12mm masonry bit 50mm deepth.
- 4 Insert a concrete anchor into to each hole.
- 5 If necessary, a hammer can be used to lightly tap each anchor into place so that they are flush with the wall.
- 6 Once all of the anchors are in place, move the wall plate back into position.
- 7 Attach the bolt into the washer(J) that is placed in the wall.
- 8 Do not tighten until all screws are in plate.

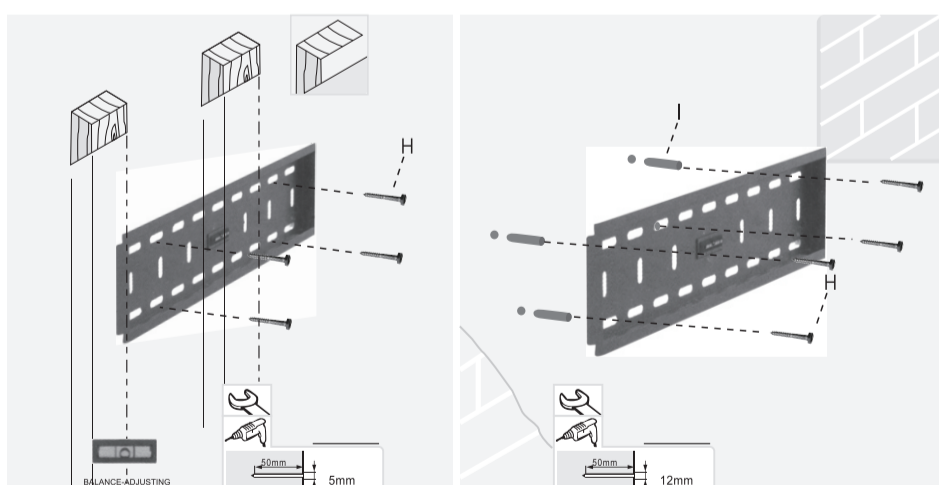
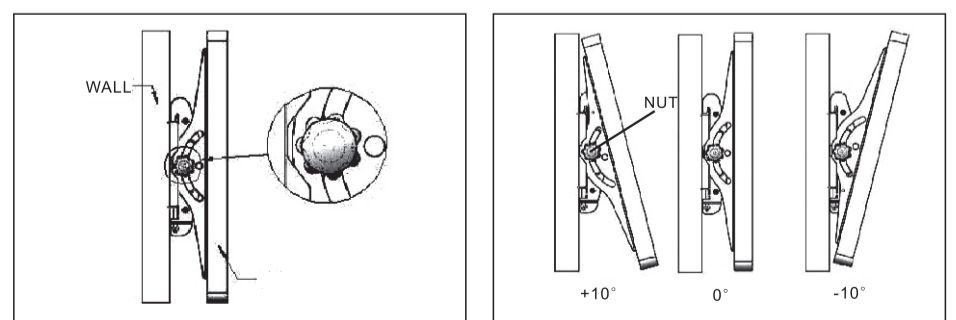
Step2 Display bracket Installation

- 1 To ensure optimal installation, this kit includes various screws of different diameters and lengths.
- 2 Install the nut (M) to the arms, take the reference of the installation picture below.
- 3 Place your TV screen down on a soft, flat surface, and locate the threaded mounting points that are located on the back of the display.
- 4 Determine which screw (A/B/C/D/E/F) is of the correct length by carefully inserting a straw, or toothpick, and mark how deep the mounting point is.
- 5 If your display has a curved back or a recessed thread mounting point, a spacer (K/L) must be used. Then you should choose screw (D/E/F) to match.
- 6 Place the spacer (K/L) between the mounting bracket and display.
- 7 According to the size of display's hole, choose the corresponding screw and hole on the rectangle washer, then thread them in line as showed



Step3 Final Installation & adjustment

- 1 Hook the TV Rails over the top of the wall plate. The TV Rail could be tilted up down by 10 degree. And tighten the central screws by driver to adjust the tilting hardness.
- 2 Lock the bracket by the safe lock bar.



TENDING INSTRUCTION

Please check whether screws are fixed well each two months

If you have any other doubts regarding the products or the installation, please consult to the special franchiser