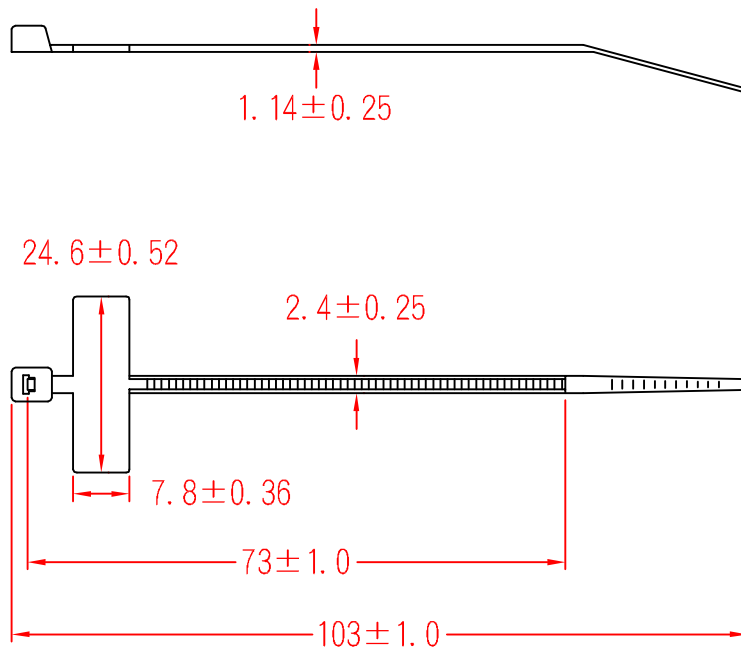


# MCV-100



MATERIAL UL 94V-2  
NYLON 66

ITEM NO.  
MCV-100

SCALE

FINISH

NAME

MARKER TIE



(. .)

TOLERANCE  
AS FIGURE



02-18-2006  
DATE

REVISIONS

K002

R.NO.

