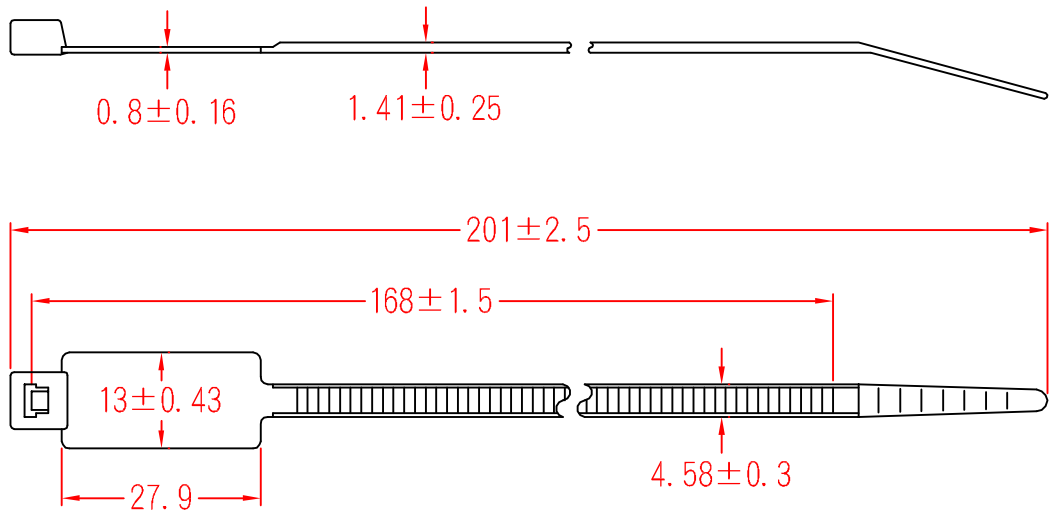


MCV-200



MATERIAL UL 94V-2

ITEM NO.

NYLON 66

MCV-200

SCALE

FINISH

NAME

MARKER TIE



(. .)

TOLERANCE
AS FIGURE



02-18-2006
DATE

REVISIONS

K002

R.NO.

