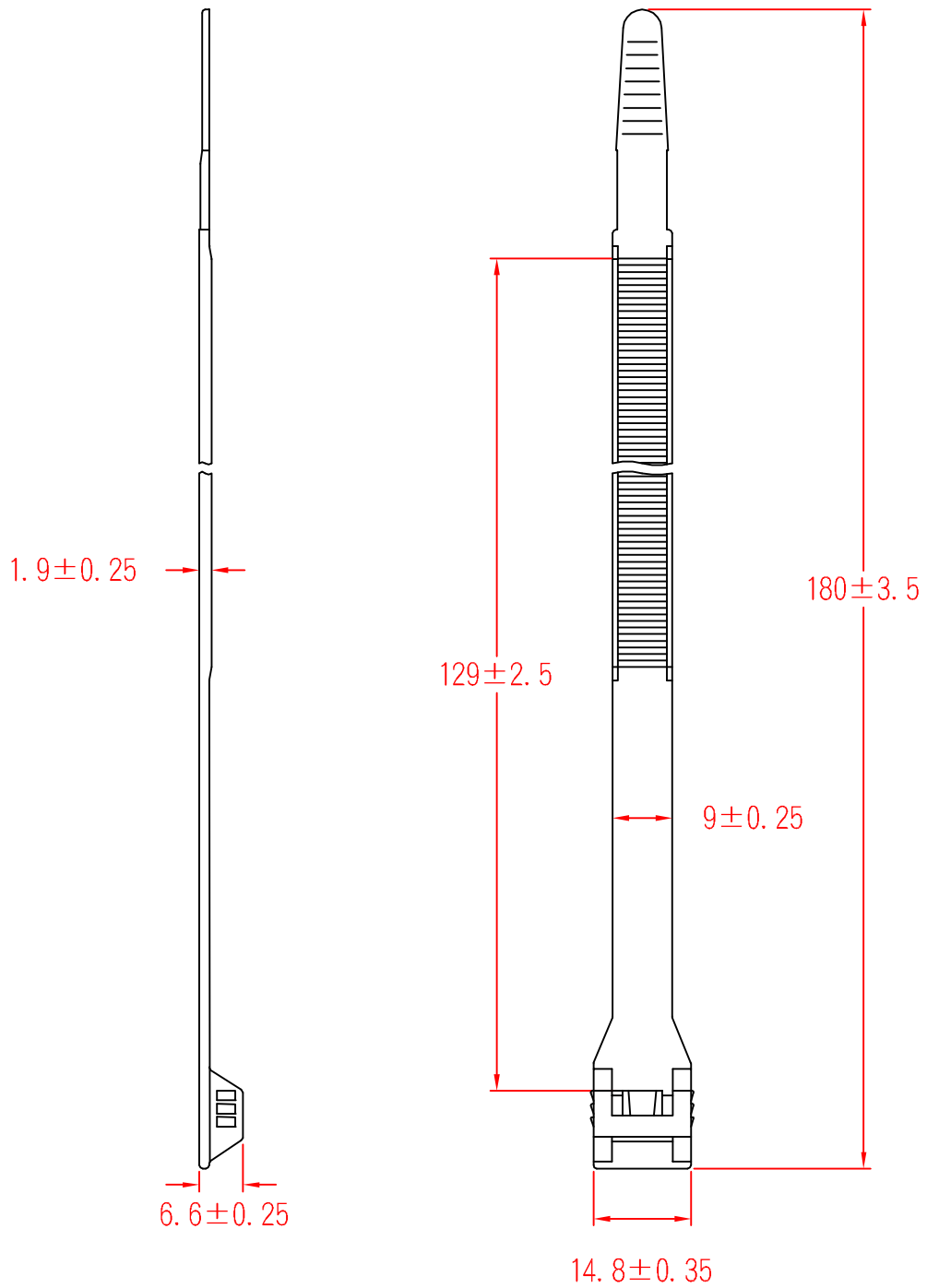


DK-180



		MATERIAL: UL 94V-2		ITEM NO.	
		NYLON 66		DK-180	
SCALE		FINISH		NAME	
				DOUBLE HEAD CABLE TIE	
△ (. .)		TOLERANCE AS FIGURE		△ 11-01-2011 DATE REVISIONS K001	
				R.NO.	

