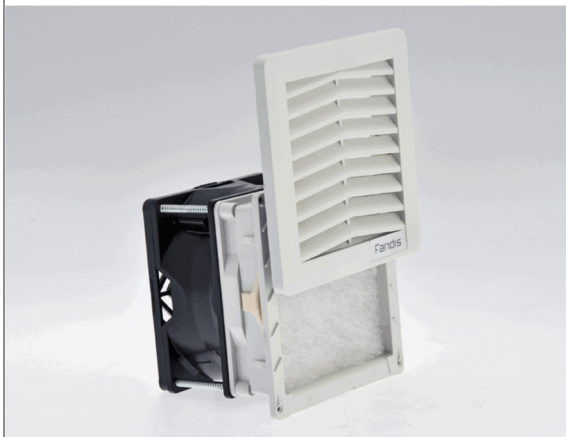


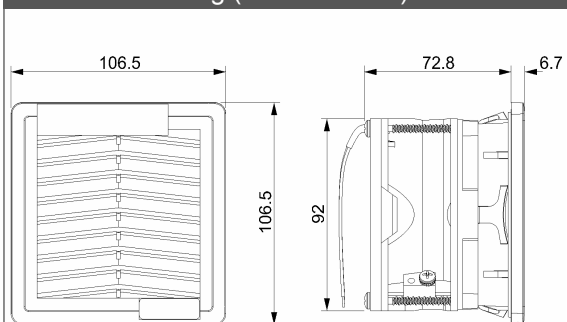
"FF08GAF" SERIES FAN FILTERS

Description: Fan Filter 115/230 Va.c.

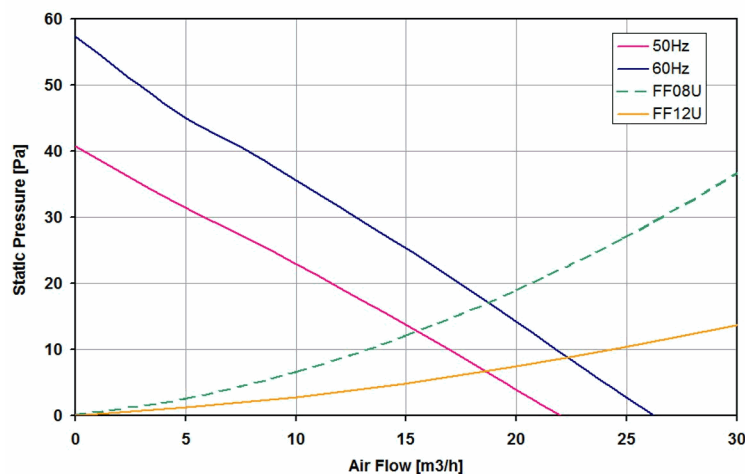
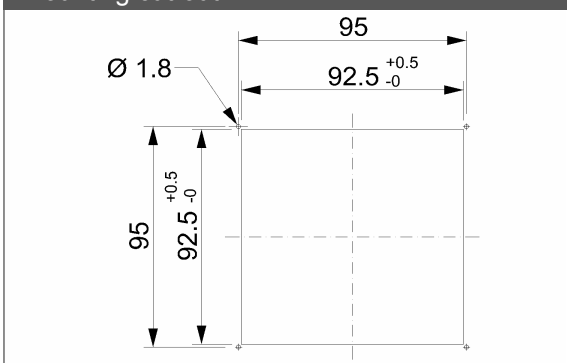


Type of material:	PC/ABS Alloy, PA 66 GF13 HSL for elastic clips
Standard color:	RAL 7035, other colors on request
Protection degree:	IP54, according to EN 60529 std Type 12, according to UL 508 std
Fixing system:	by elastic clips, otherwise by four self-threading screws
Plate thickness:	from 1 mm to 2 mm
Storage temperature:	from -40°C to +70°C
Motor Lifetime L10 at 40°C (approx.):	over 40,000 h
Motor protection:	impedance
Earth connection:	(by M4 screw on fan's casing)
Electrical connection:	UL 3266 AWG22 lead wires
Appliance class:	class I
Type of filter media:	thermo-linked progressive structure synthetic fibre
Filtering class:	class G3, according to EN 779
Degree of separation:	85% - DIN 24185
Dust retention capacity:	600 g/m ²
Note:	filter media is washable about 10 times
Weight:	0.542 Kg
Approvals:	CE, UL E237844

technical drawing (standard flow)



mounting cut-out



Model	Voltage (V)	Frequency (Hz)	Rated Current (A)	Rated Power (W)	Max Air Flow** (m ³ /h)	Static Pressure (Pa)	Fan Noise [db(A)]	Rated Temp. Range (°C)	Approvals
FF08GA115UF	115 V a.c.	50/60	0.145/0.127	12/10	22/26	41/57	37.0/42.0	-10 ÷ +55	CE; cURus
FF08GA230UF	230 V a.c.	50/60	0.078/0.068	12/11	22/26	41/57	37.0/42.0	-10 ÷ +55	CE; cURus

data with uncertainty of 15%

All specifications, data and drawing are subject to change without notice and are approximate. Please refer to our terms of sales including our warranty and limited liabilities clauses.