

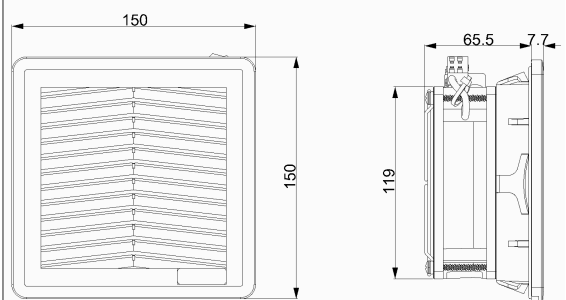
"FF12AN" SERIES FAN FILTERS

Description: Fan Filter 115/230 Va.c.

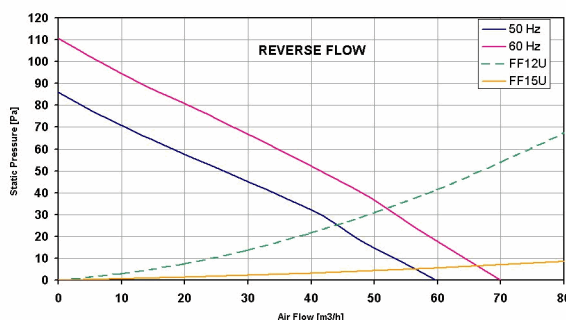
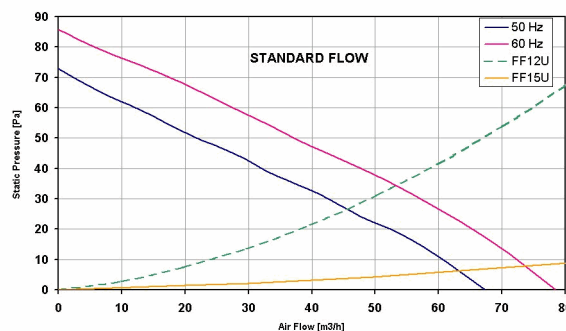
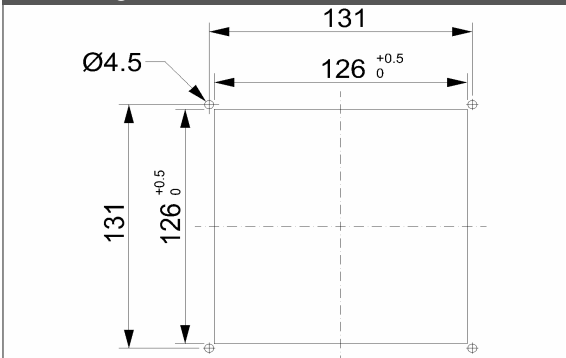


- Type of material:** PC/ABS Alloy, PA 66 GF13 HSL for elastic clips
- Standard color:** RAL 7035 - other colors on request
- Protection degree:** IP54, according to 60529 standard Type 12 according to UL 508 Std
- Fixing system:** by elastic clips, otherwise by four self-threading screws
- Plate thickness:** from 1 mm to 2.1 mm
- Storage temperature:** from -45°C to +75°C
- Lifetime L10 at 25°C:** 100,000 h
- Motor protection:** thermally
- Electrical connection:** by terminal block 2 poles L-N
- Earth connection:** (by M4 screw on fan's casing)
- Appliance class:** class I
- Type of filter media:** thermo-linked progressive structure synthetic fibre
- Filtering class:** class G3, according to EN 779
- Degree of separation:** 85% - DIN 24185
- Dust retention capacity:** 600 g/m²
- Note:** filter media is washable for about 10 times
- Weight:** 0.8 Kg
- Approvals:** CE, UL E223195 / UL E237844

technical drawing



mounting cut-out



Model	Voltage	Frequency	Rated Current	Rated Power	Max Air Flow**	Static Pressure	Noise	Rated Temp. Range	Approvals
	(V)	(Hz)	(A)	(W)	(m3/h)	(Pa)	[db(A)]	(°C)	
FF12A115UN	115 V a.c.	60	0.220	17	67/79	73/86	43.0/48.0	-10 ÷ +55	CE; cURus
FF12A115UNR	115 V a.c.	60	0.220	17	60/70	86/111	43.0/48.0	-10 ÷ +55	CE; cURus
FF12A230UN	230 V a.c.	50/60	0.130/0.100	18/16	67/79	73/86	43.0/48.0	-10 ÷ +55	CE; cURus
FF12A230UNR	230 V a.c.	50/60	0.130/0.100	18/16	60/70	86/111	43.0/48.0	-10 ÷ +55	CE; cURus

data with uncertainty of 15%

All specifications, data and drawing are subject to change without notice and are approximate. Please refer to our terms of sales including our warranty and limited liabilities clauses.