

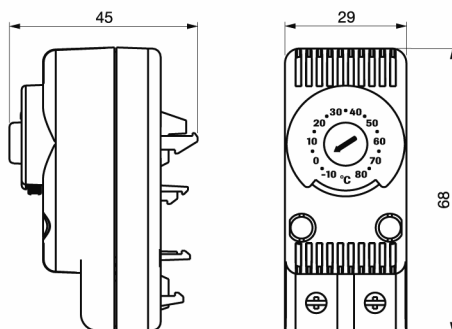
## MECHANICAL THERMOSTAT

Description: **NO/NC Thermostat for rail**

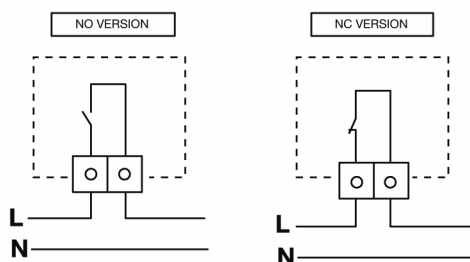


<b>Enclosure material</b>	PA66 UL 94V-0
<b>Color</b>	grey RAL 7035
<b>Protection degree:</b>	IP20
<b>Mounting on:</b>	DIN rail 35 mm (EN 50 022); DIN rail 15 mm (EN 50 045); DIN rail 32 mm (EN 50 035)
<b>Fixing method:</b>	snap on
<b>Electrical connection:</b>	screw terminals
<b>Electrical section wires:</b>	from 0.75 mm <sup>2</sup> to 2.5 mm <sup>2</sup>
<b>Sensing element type:</b>	bi-metallic
<b>Setting/indexing:</b>	external Knob / 5°C
<b>Operating temperature:</b>	from -10°C to +80°C
<b>Storage temperature:</b>	from -40°C to +90°C
<b>Temperature scale:</b>	available with Fahrenheit degree scale (°F)
<b>External dimensions:</b>	68x29x45 mm
<b>Endurance:</b>	> 100.000 cycles
<b>Applicable standards:</b>	EN 60730-1
<b>Approvals:</b>	CE, cURus

### technical drawing



### wiring diagram



Model	Rated Voltage Range	Rated Current	Contact Current	Setting Range	Differential (referred to set point)	Accuracy	Net Weight
	(V.a.c.) 50/60Hz	(A)	(A)	(°C)	(°C)	(°C)	(kg)
TRT-10A230V-NC	110-250 V a.c.	10	15	-10 - +80	-3	±3	0.054
TRT-10A230V-NO	110-250 V a.c.	10	15	-10 - +80	+4 if A < 5 ; +7 if A > 5	±3	0.054
TRT-5A230V-NO	110-250 V a.c.	5	15	-10 - +80	+8 if A < 2.5 ; +11 if A > 2.5	±3	0.054

Rated Current: 6A for inductive load with cos f = 0.6

All specifications, data and drawing are subject to change without notice and are approximate. Please refer to our terms of sales including our warranty and limited liabilities clauses.