

MICRO SWITCHES



DF SERIES

SPECIFICATIONS

Contact Resistance (initial)

Max. 100mΩ

Measured by ohm meter - open voltage < 1VDC, driver current -100 mA

Insulation Resistance (at 500VDC/minute)

Min. 100MΩ

Dielectric Strength

1000VAC (50~ 60Hz)

Operating Temperature Range

-40°C to 85°C (with no icing)

Vibration

10~55Hz, displacement 0.75 mm (p-p)

Electrical Service Life

0.1A - Min. 1,000,000 operations

3A - Min. 10,000 operations

Electrical Operating Frequency

0.1A - 120 operations per minute

3A - 10~30 operations per minute

Mechanical Service Life

Min. 1,000,000 operations

Mechanical Operating Frequency

120 operations per minute

THE SELECTION OF RATING & FORCE

MODEL	Rating	L	S
DF	0.1A	*	*
	3A	*	*

NOTE : The Symbol " * " to represent the result is accepted

RATING

0.1A 125VAC , 0.1A 30VDC

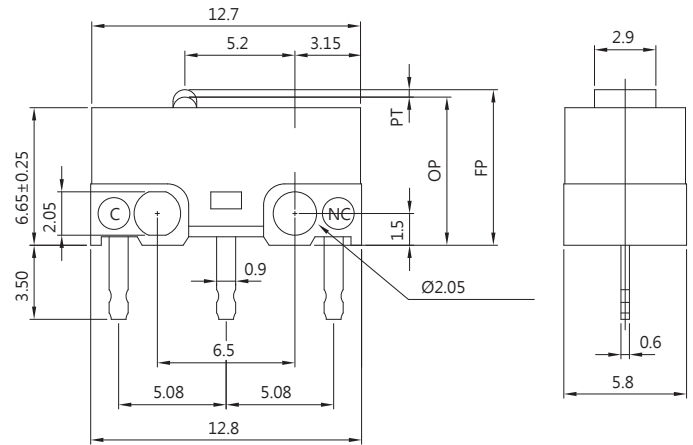
3A 125VAC , 3A 24VDC

APPLICATIONS

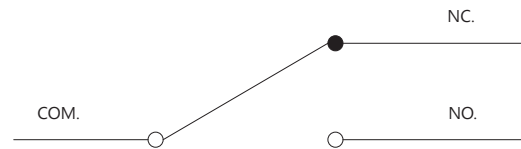
Mouses, Joysticks, Small home appliances, Central heating control

DIMENSIONS

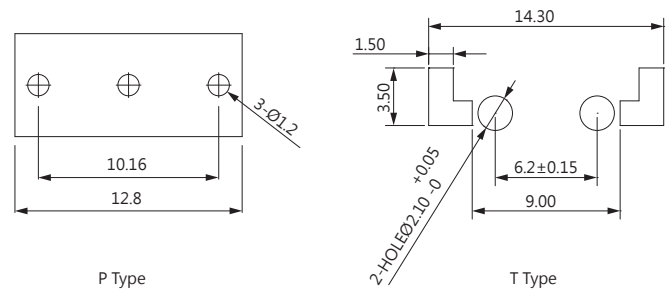
Unless otherwise specified, a tolerance of ±0.4mm applies to all dimensions.



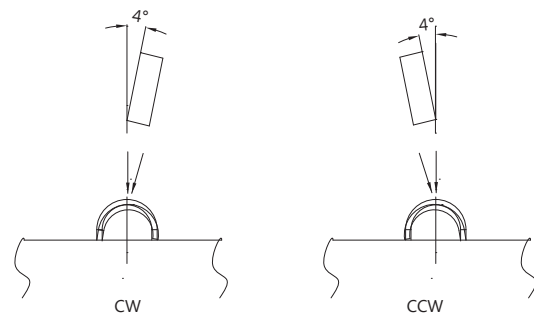
CONTACT CONFIGURATION



MOUNTING HOLES



PRESSING DIRECTION IS SUGGESTED TO BE VERTICAL AND WITH +/- 4

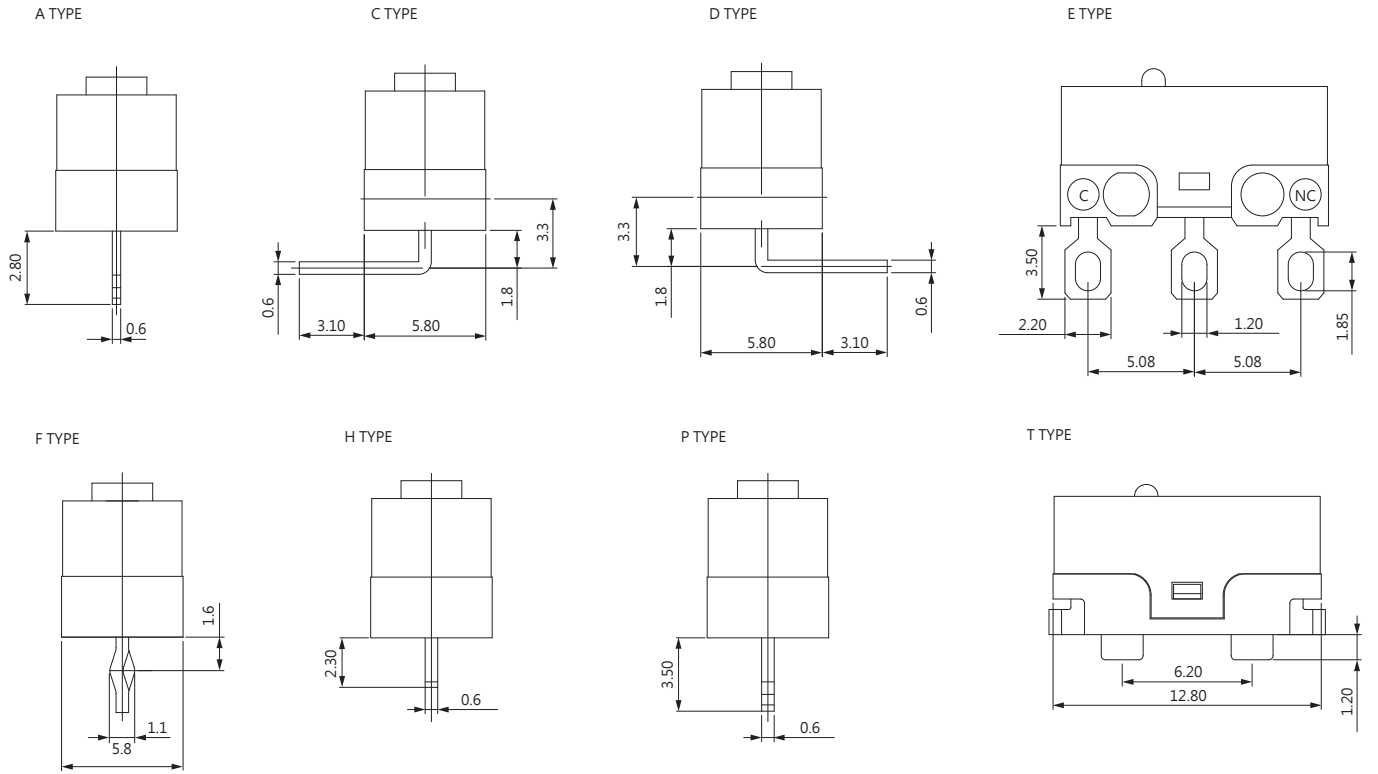


Available for the model that mouse has stoppers added more than Min.0.1mm

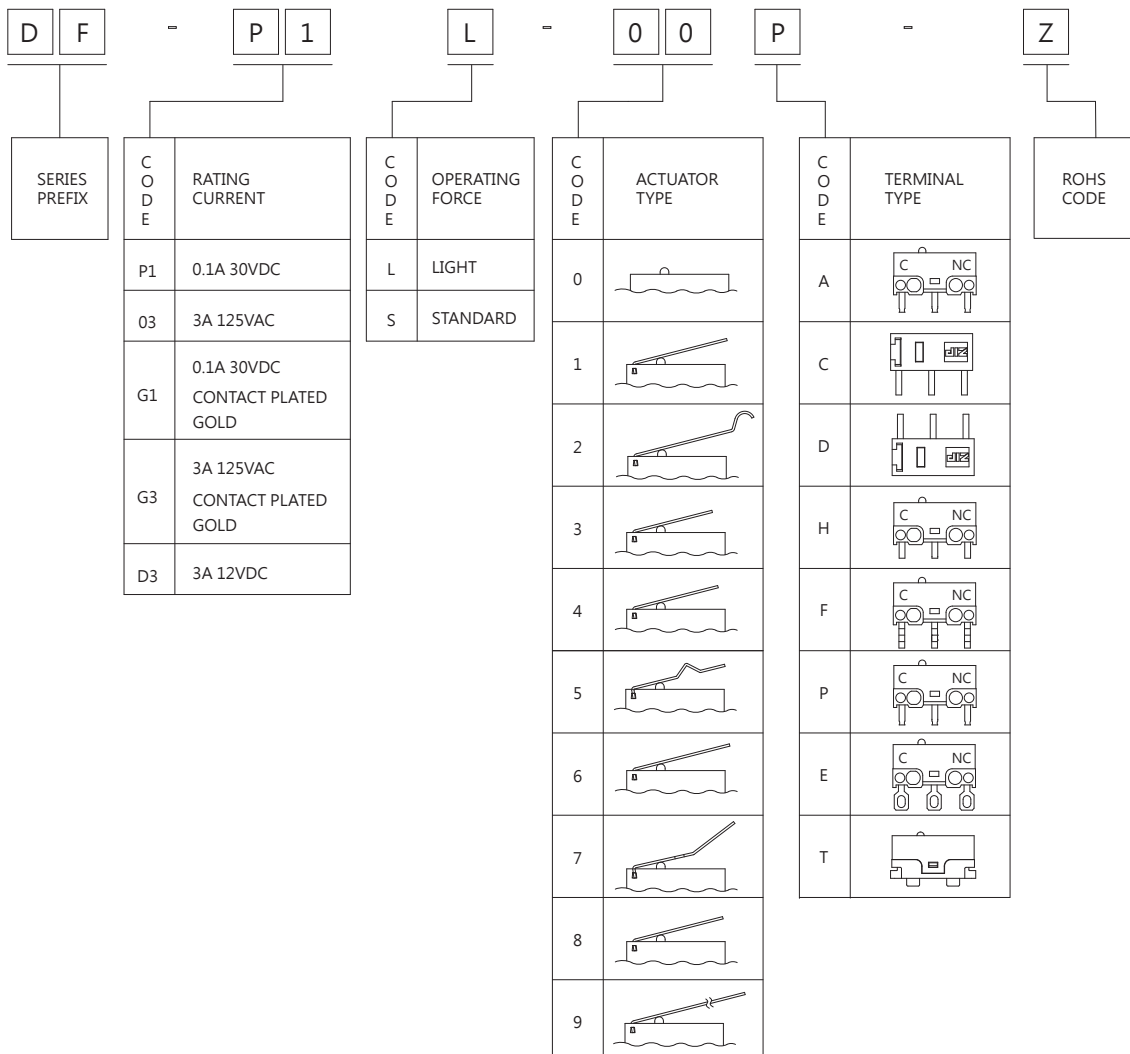
CERTIFICATE INFORMATION

Model Name	UL, cUL	ENEC14
DF-P1	0.1A 125VAC / 60VDC (Temp:65°C), Min. 6,000 operations	0.1A 125VAC, u 1E4
DF-G1	0.1A 125VAC / 60VDC (Temp:65°C), Min. 6,000 operations	Non
DF-03	3A 125VAC (Temp:65°C) Min. 6,000 operations	3A 125VAC, u 1E4
DF-G3	3A 125VAC (Temp:65°C) Min. 6,000 operations	Non
DF-D3	3A 5VDC / 12VDC (Temp:65°C) Min. 10,000 operations	Non

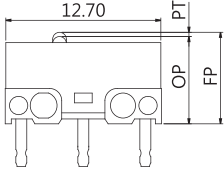
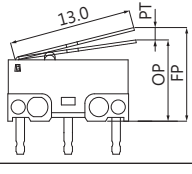
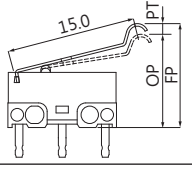
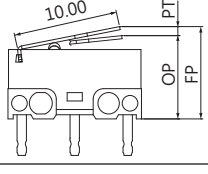
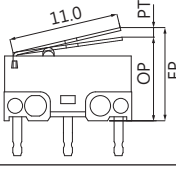
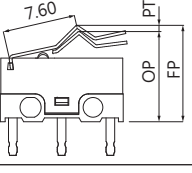
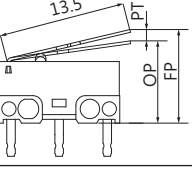
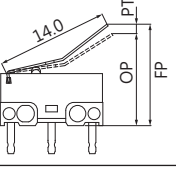
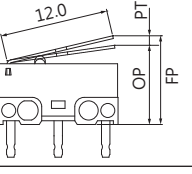
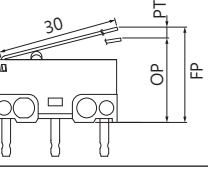
TERMINAL TYPES



ORDERING INFORMATION



OPERATING CHARACTERISTICS

SWITCH TYPE	PART SUFFIX	OF Max. (gf)		OP (mm)	PT Max. (mm)	OT Min. (mm)	MD Max. (mm)	FP Max. (mm)	RF Min. (gf)
DF- □□□ -0 □ -Z		L	80	7.0±0.2	0.62	0.2	0.12	7.35	21
		S	150						35
DF- □□□ -1 □ -Z		L	30	7.9±0.8	3.4	0.6	0.8	10.1	5
		S	56						8
DF- □□□ -2 □ -Z		L	25	9.8±0.9	3.5	0.7	0.92	14.2	5
		S	43						7
DF- □□□ -3 □ -Z		L	35	7.9±0.7	2.1	0.3	0.29	9.3	5
		S	57						12
DF- □□□ -4 □ -Z		L	39	8.0±0.8	2.5	0.5	0.7	10.8	6
		S	69						10
DF- □□□ -5 □ -Z		L	38	9.0±0.6	1.64	0.49	0.3	10.15	9
		S	70						11
DF- □□□ -6 □ -Z		L	30	8.33±0.9	3.5	0.6	0.8	10.6	3
		S	50						8
DF- □□□ -7 □ -Z		L	27	10.75±0.8	3.5	0.3	0.8	13.5	3
		S	48						8
DF- □□□ -8 □ -Z		L	33	8.17±0.8	2.8	0.6	0.7	11.2	5
		S	54						9
DF- □□□ -9 □ -Z		L	13	9.75±1.9	6.9	0.55	1.9	16.8	2
		S	21	9.5±1.9					3