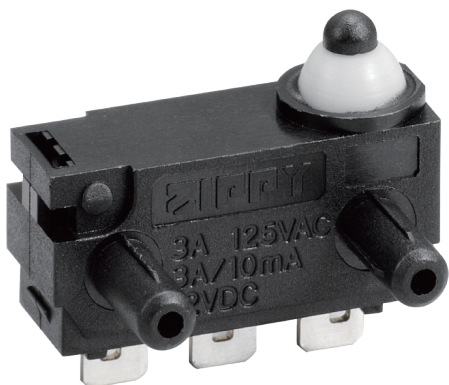


# WATER PROOF SWITCHES



## DW SERIES

### SPECIFICATIONS

#### Contact Resistance(initial)

Max. 100 mΩ

Measured by ohm meter - open voltage <1 VDC, driver current -100 mA

#### Insulation Resistance(at 250 VDC / minute)

Min. 100 MΩ

#### Dielectric Strength

150 VAC(50~ 60 Hz)

#### Operating Temperature Range

-40°C to 85°C (with no icing)

#### Vibration

10~55 Hz, displacement 0.75 mm(p-p)

#### Electrical Service Life

10 mA - Min. 500,000 operations

3A - Min. 6,000 operations

#### Electrical Operating Frequency

10mA-120 operations per minute

3A-10~30 operations per minute

#### Mechanical Service Life

Min. 500,000 operations

#### Mechanical Operating Frequency

120 operations per minute

### APPLICATIONS

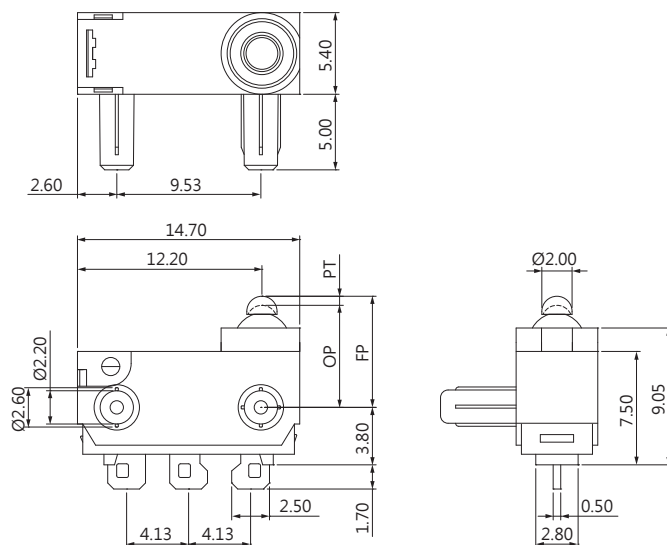
Automotive (Seat Belt, Door Latch, Engine Hood, Door Trunk), Air Conditioner, Communication, Security System, Electric Tooth Brush, Toy

### CERTIFICATE INFORMATION

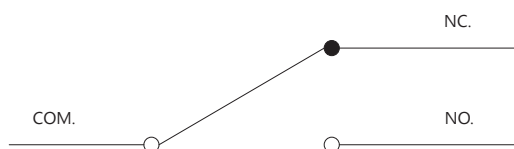
Model Name	UL, cUL	ENEC14
DW-N2S	10 mA 12 VDC (Temp65°C), Min. 10,000 operations	10 mA 12 VDC, μ 5E5
DW-N3S	3 A 12 VDC (Temp65°C) Min. 100,000 operations 3 A 125 VAC (Temp65°C) Min. 6,000 operations	3 A 12 VDC, μ 1E5

### DIMENSIONS

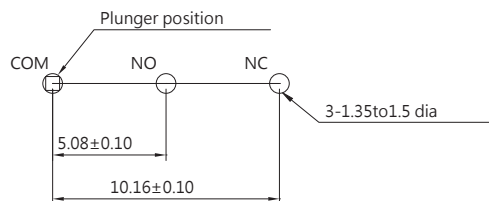
Unless otherwise specified, a tolerance of ±0.4mm applies to all dimensions.



### CONTACT CONFIGURATION



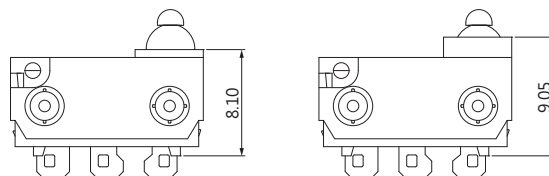
### MOUNTING HOLES FOR PCB TERMINAL



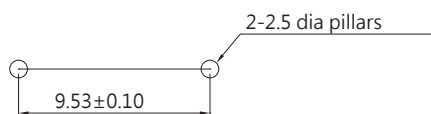
### TRAVEL TYPES

LONG TRAVEL

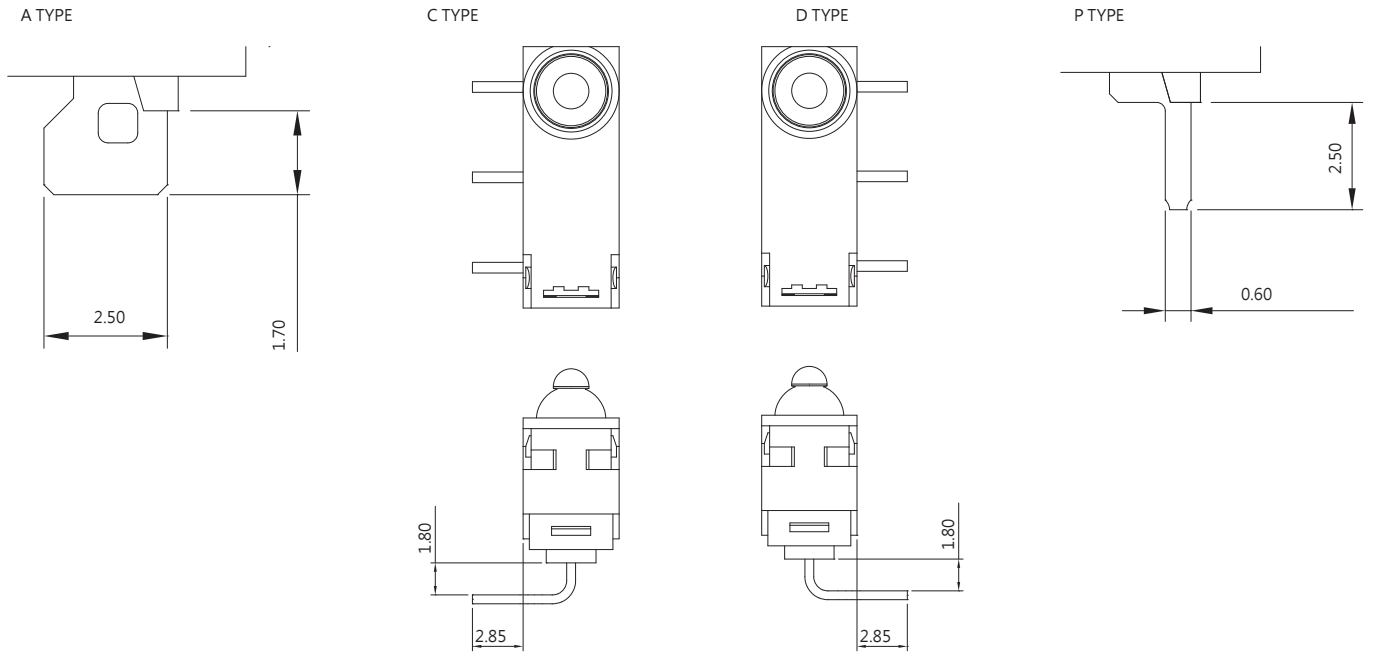
SHORT TRAVEL



### PILLAR PITCH

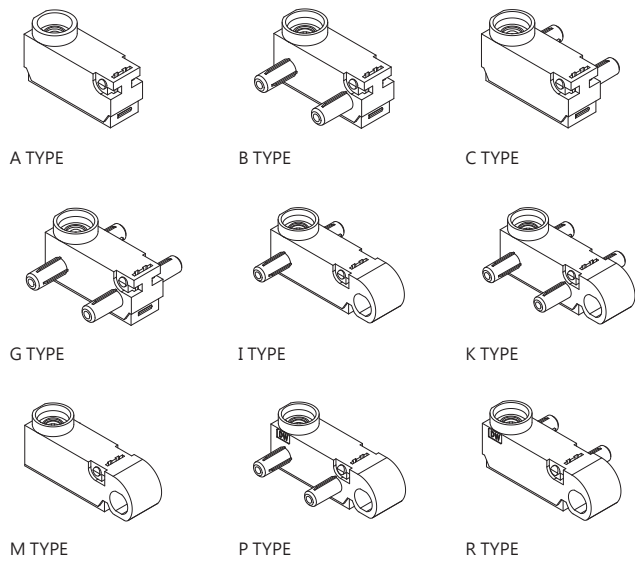


TERMINAL TYPES (THE thickness of each terminal is 0.5mm)

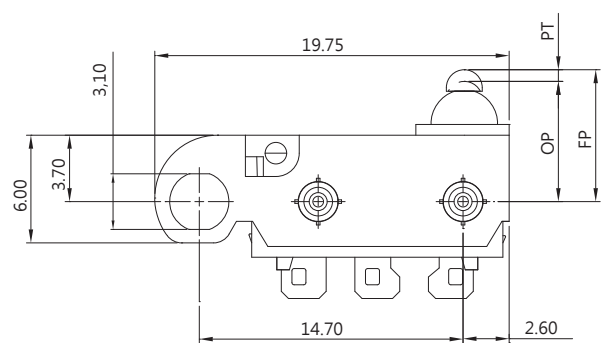
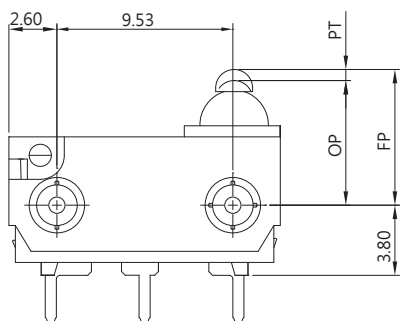
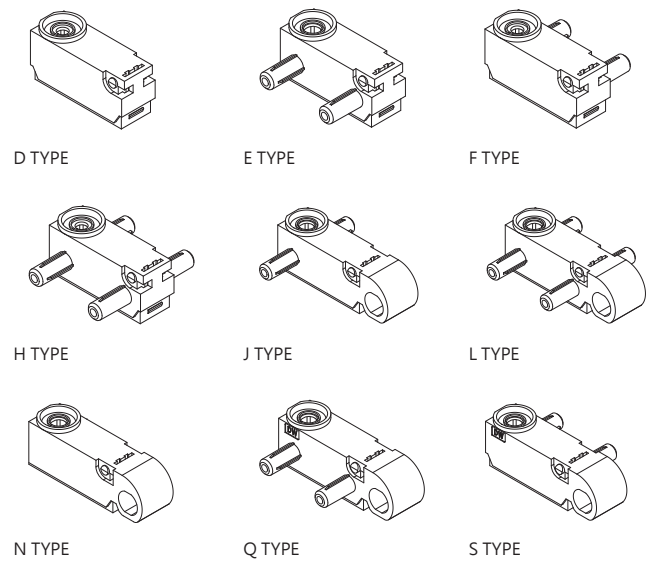


COVER TYPES ( PILLAR & TRAVEL TYPES )

SHORT TRAVEL



LONG TRAVEL



ORDERING INFORMATION

DW	N2	S	01	A	0	A	0A	Z
SERIES PREFIX	RATING CURRENT	OPERATING FORCE	ACTUATOR TYPE	TERMINAL TYPE	CIRCUIT ARRANGEMENT	PILLAR & TRAVEL TYPE	SPECIAL CODE	ROHS CODE
	10mA 12VDC Contact Plated Gold and Terminal Plated Sliver	S STANDARD	00	A	0 S.P.D.T 1 S.P.S.T NO ONLY TERMINAL TYPE C D P 2 S.P.S.T NC ONLY TERMINAL TYPE C D P	A		
	3A 12VDC 3A 125VAC Terminal Plated Sliver and Contact is Sliver		01	C		B		
			04	D		C		
				P		G		
						I		
						K		
						M		
						P		
						R		
						D		
						E		
						F		
						H		
						J		
						L		
						N		
						Q		
						S		

CODE	L1	H	ΦA	ΦB	ΦC	ΦD	P
A	2.0	3.7	2.2	2.6	2.2	2.6	9.53
B	3.5	3.7	2.2	2.6	2.2	2.6	9.53
C	2.8	3.75	2.7	3.1 (THREE RIBS)	2.2	2.6	9.53
D	4.0	3.7	2.2	2.6	2.2	2.6	9.53
E	0.9	3.7	2.2	N/A	2.2	N/A	9.53
F	1.8	3.7	2.5	N/A	2.5	N/A	9.53
G	5.0	3.7	2.4	2.8	2.4	2.8	8.0

OPERATING CHARACTERISTICS

SWITCH TYPE	PART SUFFIX	OF Max (gf)	OP (mm)	PT Max (mm)	OT Min (mm)	MD Max (mm)	FP Max (mm)	RF Min (gf)
DW- □□ S-00A0-Z		S	130	3.05±0.2	0.8	0.8	0.3	3.65
				6.75±0.2				7.35
DW- □□ S-01A0-Z		S	195	3.7±0.5	3.85	1.35	0.5	7.0
				7.4±0.5				10.7
DW- □□ S-04A0-Z		S	160	6.2±0.8	4.8	1.65	0.7	10.1
				9.9±0.8				13.8