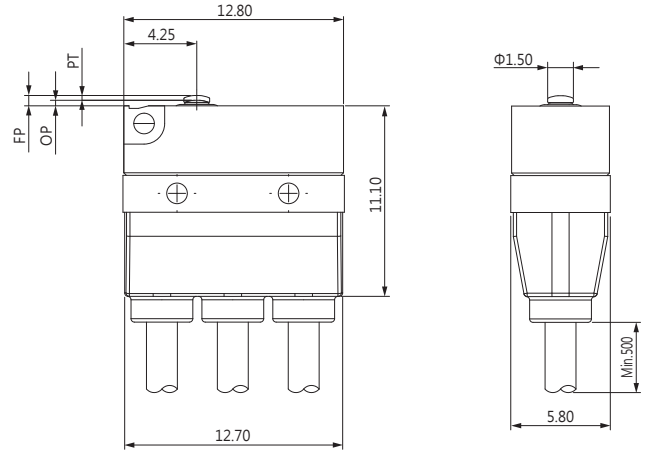


WATER PROOF SWITCHES

DIMENSIONS

Unless otherwise specified, a tolerance of $\pm 0.4\text{mm}$ applies to all dimensions.



DFW (IP67) SERIES

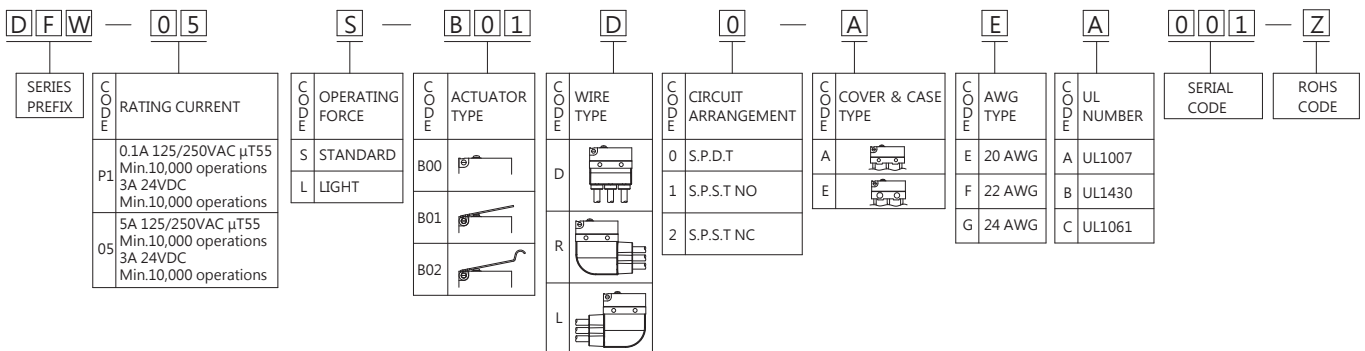
APPLICATIONS

Automotive (Operation system, Engine area Interior)
Air conditioner, communication, Electric tooth brush, toys

CERTIFICATE INFORMATION

Model Name	UL, cUL, ENEC15
DFW-P1	0.1A 125/250VAC, 3A 24VDC (Temp:55°C) Min. 10,000 operations
DFW-05	5A 125/250VAC, 3A 24VDC (Temp:55°C) Min. 10,000 operations

ORDERING INFORMATION



OPERATING CHARACTERISTICS

SWITCH TYPE	PART SUFFIX	OF Max. (gf)		OP (mm)	PT Max. (mm)	OT Min. (mm)	MD Max. (mm)	FP Max. (mm)	RF Min. (gf)
		L	S						
DFW- □□□ -B00 □ -Z		L	100	0.4±0.2	0.5	0.2	0.12	0.9	21
		S	170						35
DFW- □□□ -B01 □ -Z		L	32	1.6±0.8	3.4	0.6	0.8	3.5	5
		S	56						8
DFW- □□□ -B02 □ -Z		L	28	3.6±0.8	3.5	0.7	0.92	7.6	5
		S	48						7
DFW- □□□ -B03 □ -Z		L	40	1.3±0.5	2.1	0.55	0.4	2.7	5
		S	65						12
DFW- □□□ -B04 □ -Z		L	39	1.4±0.6	2.5	0.5	0.7	4.2	6
		S	69						10
DFW- □□□ -B05 □ -Z		L	58	2.6±0.6	1.64	0.49	0.3	3.55	7
		S	83						11
DFW- □□□ -B06 □ -Z		L	30	1.73±0.9	3.5	0.6	0.8	4.0	5
		S	50						8
DFW- □□□ -B07 □ -Z		L	30	4.15±0.9	3.5	0.3	0.8	6.9	3
		S	49						8
DFW- □□□ -B08 □ -Z		L	34	1.55±0.7	2.8	0.6	0.7	4.6	5
		S	56						9
DFW- □□□ -B09 □ -Z		L	15	2.9±1.7	6.9	0.55	1.9	10.2	2
		S	24						3

OPERATING CHARACTERISTICS

SWITCH TYPE	PART SUFFIX	OF Max. (gf)		OP (mm)	PT Max. (mm)	OT Min. (mm)	MD Max. (mm)	FP Max. (mm)	RF Min. (gf)
		L	S						
DFW- □□□ -B00 □ -Z		L	100	5.9±0.2	0.5	0.2	0.12	6.4	21
		S	170						35
DFW- □□□ -B01 □ -Z		L	32	7.1±0.8	3.4	0.6	0.8	9.0	5
		S	56						8
DFW- □□□ -B02 □ -Z		L	28	9.1±0.8	3.5	0.7	0.92	13.1	5
		S	48						7
DFW- □□□ -B03 □ -Z		L	40	6.8±0.5	2.1	0.55	0.4	8.2	5
		S	65						12
DFW- □□□ -B04 □ -Z		L	39	6.9±0.6	2.5	0.5	0.7	9.7	6
		S	69						10
DFW- □□□ -B05 □ -Z		L	58	8.1±0.6	1.64	0.49	0.3	9.05	7
		S	83						11
DFW- □□□ -B06 □ -Z		L	30	7.23±0.9	3.5	0.6	0.8	9.5	5
		S	50						8
DFW- □□□ -B07 □ -Z		L	30	9.65±0.9	3.5	0.3	0.8	12.4	3
		S	49						8
DFW- □□□ -B08 □ -Z		L	34	7.05±0.7	2.8	0.6	0.7	10.1	5
		S	56						9
DFW- □□□ -B09 □ -Z		L	15	8.4±1.7	6.9	0.55	1.9	15.7	2
		S	24						3