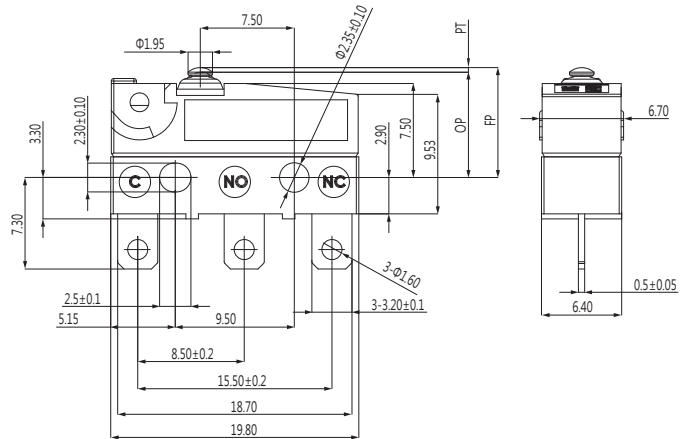


WATER PROOF SWITCHES



DIMENSIONS

Unless otherwise specified, a tolerance of $\pm 0.4\text{mm}$ applies to all dimensions.



SW1 SERIES

SPECIFICATIONS

Contact Resistance (initial)

Max. 300m Ω

Measured by ohm meter - open voltage < 1VDC, driver current - 100 mA

Insulation Resistance (at 250VDC/minute)

Min. 100M Ω

Dielectric Strength

1000VAC (50~ 60Hz)

Operating Temperature Range

-40°C to 125°C (with no icing)

Vibration

10~55Hz, displacement 0.75mm (p-p)

Electrical Service Life

Min. 10,000 operations

Electrical Operating Frequency

10~30 operations per minute

Mechanical Service Life

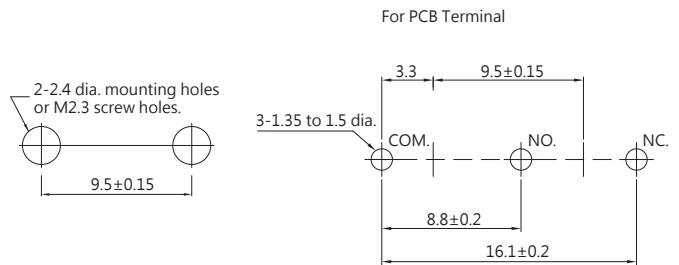
SW1-P1/06/10 series(S/L/D force) Min. 2,000,000 operations

All series for H force No define the life.

Mechanical Operating Frequency

120 operations per minute

MOUNTING HOLES



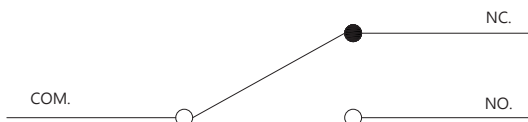
CERTIFICATE INFORMATION

Model Name	UL · cUL · ENEC15
SW1-P1	0.1A 125/250VAC, $\mu\text{T}125$ 1E4 0.1A 30VDC, $\mu\text{T}125$ 1E4 Min. 10,000 operations
SW1-06	6A 125/250VAC, $\mu\text{T}125$ 1E4 5A 30VDC, $\mu\text{T}125$ 1E4 Min. 10,000 operations
SW1-10	10A 125/250VAC, $\mu\text{T}125$ 1E4 5A 30VDC, $\mu\text{T}125$ 1E4 Min. 10,000 operations
SW1-12	12A 125/250VAC, $\mu\text{T}125$ 1E4 5A 30VDC, $\mu\text{T}125$ 1E4 Min. 10,000 operations

APPLICATIONS

Telephone, Air conditioner, Computer, Humidifier, Alarm, Time recorder, Mixer & Chopper, Solder gun, Neon phone, Fax machine, Joystick, Water pump, Gas detector, Pencil sharpener, Money sorter, Food processor, Electric knife, Toy car, Juice maker, Electric steak pan.

CONTACT CONFIGURATION



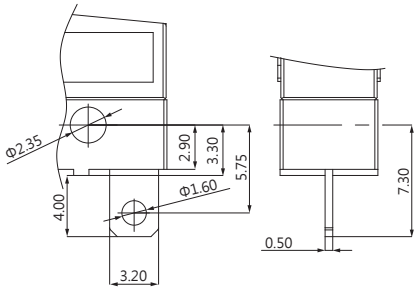
THE SELECTION OF RATING & FORCE

MODEL	Rating	D	L	S	H
SW1	0.1A	*	*	*	*
	6 A		*	*	*
	10A			*	*
	12A				*

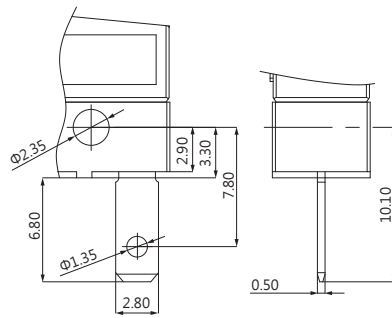
NOTE : The Symbol " * " to represent the result is accepted

TERMINAL TYPES (The thickness of terminal is 0.5)

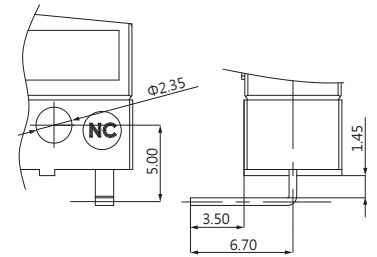
A TYPE



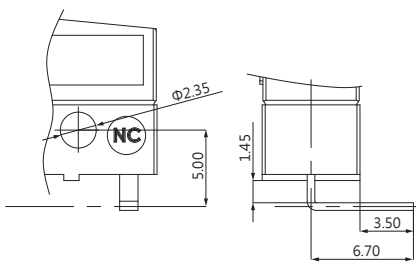
B TYPE



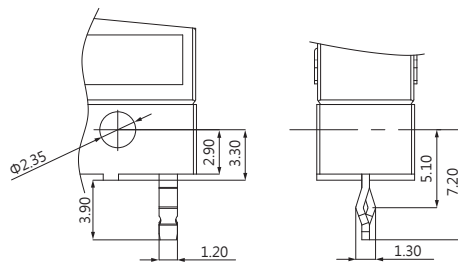
C TYPE



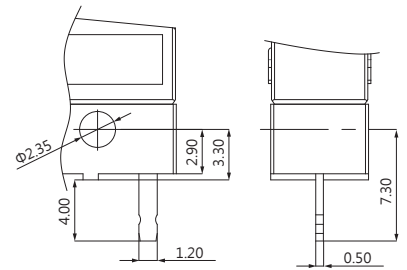
D TYPE



F TYPE



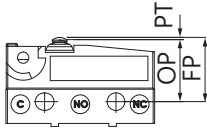
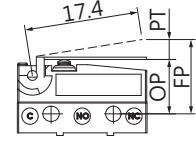
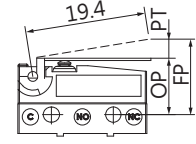
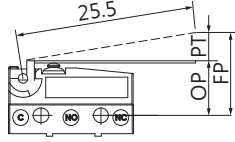
P TYPE



ORDERING INFORMATION

S	W	1	—	P	1	S	1	—	0	0	A	0	—	Z	
SERIES PREFIX	CODE	RATING CURRENT		CODE	OPERATING FORCE		CODE	COVER TYPE	CODE	ACTUATOR TYPE	CODE	TERMINAL TYPE	CODE	CIRCUIT ARRANGEMENT	ROHS CODE
	P1	0.1A 125/250 VAC		H	HEAVIER		1		00		A	SOLDER TERMINAL(A)	0	S.P.D.T	
	06	6A 125/250 VAC		S	STANDARD				01		B	SOLDER TERMINAL#110(B)	1	S.P.S.T NO	
	10	10A 125/250 VAC		L	LIGHT				02		C	PCB TERMINAL(C)	2	S.P.S.T NC	
	12	12A 125/250 VAC		D	SLIGHT				03		D	PCB TERMINAL(D)			
											P	PCB TERMINAL(P)			
											F	PCB TERMINAL(F)			

OPERATING CHARACTERISTICS

SWITCH TYPE	PART SUFFIX	OF Max. (gf)		OP (mm)	PT Max. (mm)	OT Min. (mm)	MD Max. (mm)	FP Max. (mm)	RF Min. (gf)	
		H	S						H	S
SW1- □□□□ -00 □□ -Z		H	355	8.4±0.3	1.2	0.6	0.2	9.9	H	100
		S	203						S	50
		L	150						L	30
		D	95						D	10
SW1- □□□□ -01 □□ -Z		H	121	8.8±1.1	4.3	0.9	0.6	12.0	H	22
		S	82						S	16
		L	73						L	14
		D	50						D	4
SW1- □□□□ -02 □□ -Z		H	105	8.8±1.2	4.8	1.0	0.7	12.4	H	20
		S	66						S	13
		L	55						L	11
		D							D	
SW1- □□□□ -03 □□ -Z		H	72	8.8±1.6	6.3	1.6	0.9	13.5	H	17
		S	54						S	11
		L	29						L	6
		D							D	