

# **BTR-1500M**

## **Bluetooth audio receiver**

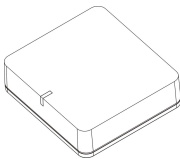
With A2DP, CSR® aptX® supported  
and Multi-pairing function



### **Feature**

- ©aptX® codec support
- ©SBC codec support
- ©A2DP Bluetooth profile supported
- ©33 feet(10M) effective range
- ©TOSLINK digital audio output
- ©Audio RL audio output
- ©8 devices ID storable
- ©Upto 3 devices connection.

### **What's in the box**



Main unit



AC/DC adaptor


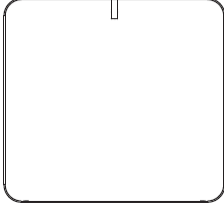


3.5mm male→  
male audio cable

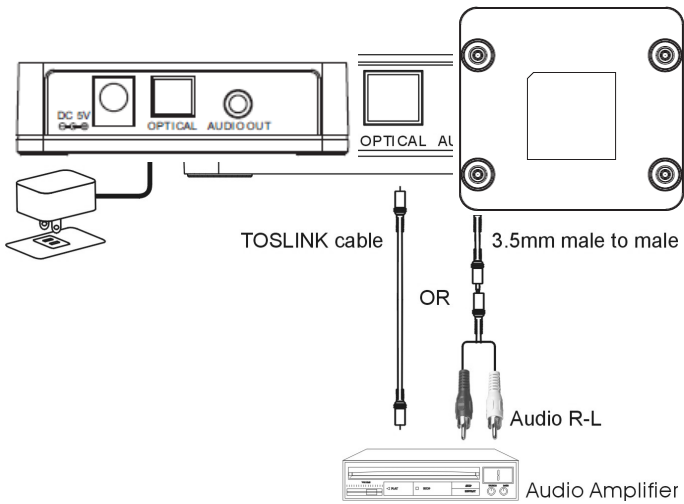


3.5mm female→  
audio RL cable

## Outlook and connectors

Front	Top View
	
Back	Side

## Setup your BTR-1500M



## Analogue connection

1. Connect one 3.5mm end of the include audio to headphone jacket on the BTR-1500M
2. Connect the other end to an audio input on your home stereo system (3.5mm or 3.5mm + 3.5mm→2 RCA). Consult your stereo user's manual for more information on how to accomplish this.

## Digital connection

1. Connect one TOSLINK cable end to optical jacket on the BTR-1500M(recommended)
2. Connect the other end to one TOSLINK input of your home stereo system. Consult your stereo user's manual for more information on how to accomplish this.
3. Connect AC power adaptor cable to DC input jacket of BTR-1500M, AC end to any AC outlet.
4. The LED light will flash once to show the unit is powered and ready for being paired for your devices.

## Pairing your BTR-1500M

### iPad/iPhone/iPod touch

1. Go to Bluetooth manager of your iPad/iPhone/iPod touch by the following steps



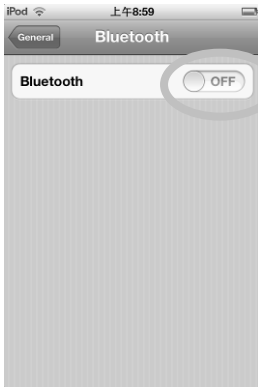
- a. From your iPad/iPhone/iPod touch home page, tap "setting"



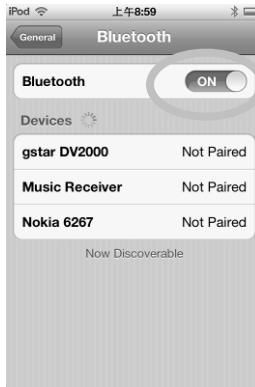
- b. Inside Settings tap on "General"



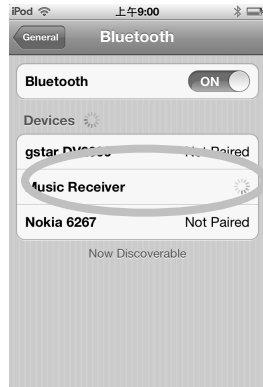
- c. Inside General tap on "Bluetooth"



2. Turn On the Bluetooth function



3. Your iPod/iPhone/iPad will auto searching available device. You will see "Music Receiver" then Tap on it.



4. Enter "0000" when the player asks for PIN code (some devices have no need to input PIN). This will allow the iPad/iPhone/iPod touch to pair with "Music Receiver"



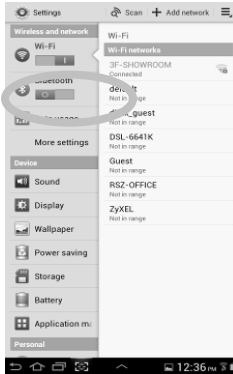
5. Your iPod/iPhone/iPad connected to BTR-1500M Now. And You can play music from your iPod/iPhone/iPad.

## Android Phone/Tablet ( ver 4.0 as Example )

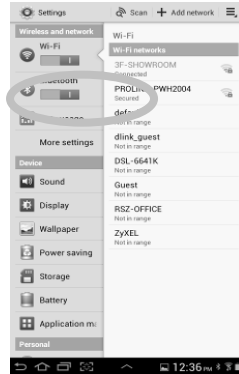
1. Go to Bluetooth manager of your smart phone by the following step



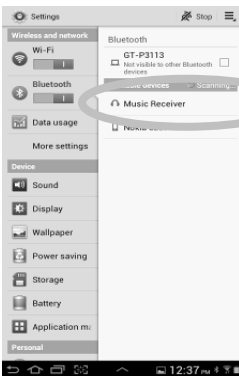
a. From your smart phone home page, tap on "setting"



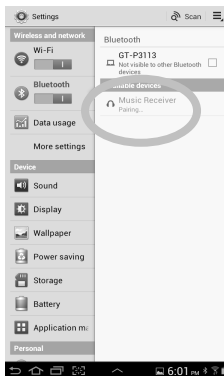
b. Inside the setting, turn on the Bluetooth



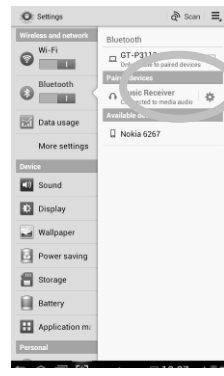
c. Bluetooth is turned on



2. Searched Bluetooth Devices will show up, please tap on "Music Receiver"



3. Enter "0000" when the player asks for PIN code ( some devices have no need to input PIN ).



4. Once paired, the blue LED light on the BTR-1500M will flash once. The Blue LED will keep lighted when a connection is established And In your Smartphone there is showed "connected to media audio"

### Note:

Some devices, such as iPhone, will connect immediately and LED will go off after pairing until a connection is established. Other devices, such as notebook, may ask you if you wish to connect and LED will go off after pairing until a connection is established.

## Multipair operation

If you want to have the feature of multi-pairing, please followed the steps, the maximum number of connection is 3.

### First installation --3 devices connection

If your devices do not paired with BTR-1500M, please follow the steps.

Step1: Connect the first device as "PAIRING YOUR BTR-1500M" paragraph.

Step2: Disconnect the first device , Please turn off the Bluetooth function of first devices

Step3: Connect the second device as "PAIRING YOUR BTR-1500M" paragraph.

Step4: Disconnect the second device, Please turn off the Bluetooth function of second devices

Step5: Connect the third device as "PAIRING YOUR BTR-1500M" paragraph.

Step6: Turn on the Bluetooth function of first and second devices, these 2 devices will auto connect back to BTR-1500M

### Normal Operation—devices paired

If your devices are all paired before, the 3 devices connected to BTR-1500M will be activated.

## Play music

### 1 device connected to BTR-1500M

You can play the music now. Just play music on your device as you normally would and the sound will come out from your stereo system.

### 2 or 3 devices connected to BTR-1500M

Those who play the music lately, will take the right to play( it means that the music is came from the last device which is playing now)

**Note: the effective range of BTR-1500M is 33 feet(10M).**

### **Reconnecting your device**

If you move out of range or turn off the Bluetooth feature on your iPad/iPhone/iPod touch or Smartphone, BTR-1500M will be disconnected from your device. To reconnect, simply open the Bluetooth manager and tap on the "Music Receiver", then you do not need to input PIN again, the connection will be done automatically.

### **Adding a new phone or tablet :**

If you want to switch from one device to another, please follow these steps

1. End the existing Bluetooth connection with the connected device.
2. The BTR-1500M can now be connected with another device such as iPad/iPod/iPhone or Smartphone or tablet.
3. Follow the section "Pairing the BTR-1500M" to connect a new device.

### **Out of range or lost signal:**

When the paired phone or device is away from the receiver (33 feet) or there is something blocking the Bluetooth signal. The LED light will go off, it means the connection between the device and BTR-1500M is lost. To avoid a lost connection:

1. Move the music device back into range (within 33 feet), and make sure there's a clear line of sight and there are no obstructions between BTR-1500M and the device.
2. Within 15 seconds, the connection will automatically be reestablished and the LED will turn on.
3. If the connection is lost for more than 15 seconds, you need to reconnect the device and BTR-1500M again. Please follow the "Reconnect Your Device" section.

## Indication of LED

Indication	meaning	Description
Flash once 1 sec per 5 secs	Power on /Pairing	Waiting for connection
Permanent Lighted	connected	Device and main unit are connected

## Troubleshooting

You can solve your problems from this section

No music out from my stereo speaker

- ◎ Make sure the BTR-1500M is powered.
- ◎ Make sure an audio cable or an Optical cable is correctly and firmly connected to BTR-1500M
- ◎ Make sure that the audio source selection of your amplifier is correct with your audio connection (analogue audio or TOSLINK)
- ◎ Make sure the volume of the stereo is set to a comfortable listening level
- ◎ Make sure you are within range.
- ◎ Make sure the Bluetooth function is opened on your device.
- ◎ Make sure you are playing the music from your device.

## SAFETY WARNINGS

- ◎ BTR-1500M requires full connection and both hands to install.
- ◎ Do not use BTR-1500M near water (for example, a bath tub, wash bowl, kitchen sink, laundry tub, wet basement, swimming pool, or other areas located near water).
- ◎ Clean with dry cloth.
- ◎ Unplug the BTR-1500M before cleaning.
- ◎ Install BTR-1500M far away from heat sources.
- ◎ Use only the attached accessories.
- ◎ Unplug the BTR-1500M when unused for long time.

\*\*\*aptX® software is copyright CSR plc or its group companies. All rights reserved. The aptX® mark and the aptX logo are trademarks of CSR plc or one of its group companies and may be registered in one or more jurisdictions.