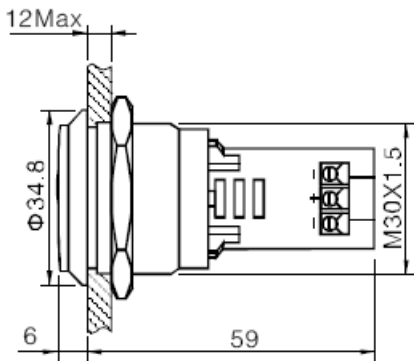


Signal lamp, Red LED color, 12V, without grounding symbol



12 MAX: means the panel thickness, the max thickness for the panel no more than 6mm.

Specification	30mm led indicator
Connection	Screw
LED Colour	Red
Led voltage	12V AC/DC
Cap material	PC
Crust material	Stainless steel
LED life	50000 hours
Operating and storage temperature	-20 to +55 °C
Operating and storage humidity	45 to 85 % RH

This is a publication by Conrad Electronic SE, Klaus-Conrad-Str. 1, D-92240 Hirschau (www.conrad.com).
 All rights including translation reserved. Reproduction by any method, e.g. photocopy, microfilming, or the capture in electronic data processing systems require the prior written approval by the editor. Reprinting, also in part, is prohibited. This publication represents the technical status at the time of printing.

© Copyright 2017 by Conrad Electronic SE.