

AMPMODU
Interconnection System
European Standard Products

Contents**AMPMODU 3.96mm Centreline Interconnection System****Page**

MOD I Receptacle Housings and Crimp Contacts	6
MOD I PCB Receptacle Contacts	7
MOD I Shrouded Headers	8
MOD I Unshrouded Headers.....	9
MOD I Shunt Connectors	9

AMPMODU 2.54mm Centreline Interconnection System - Italian Range

MOD II Receptacle Housings and Crimp Contacts	12
MOD II Pin Housings and Crimp Contacts	13
MOD II PCB Receptacles	14
MOD II Shrouded Headers	15-16

AMPMODU 2.54mm Centreline Interconnection System

MOD II Breakaway Pin Headers	18-23
MOD II ACTION PIN Posts	23
HV-100 / HV-190 PCB Receptacles	24-29
MOD II Shrouded Headers	30-31
MOD IV Receptacle Housings and Accessories	32-34
MOD IV / V Receptacle Crimp Contacts	35
MOD II PCB Receptacle Contacts.....	36
MOD IV Shunt Connectors	36

AMPMODU Locking Clip Connectors

Locking Clip Receptacle Housings and Crimp Contacts	38-40
---	-------

HE 13 / HE 14 - 2.54mm Centreline Interconnection System

IDC Receptacle Assemblies	42-43
Shrouded Headers.....	44-45
Receptacle Housings and Crimp Contacts	46
Application Tooling.....	49
Part Number Index	50
Global Contacts	51

Restriction on the Use of Hazardous Substances (RoHS)

At Tyco Electronics, we're ready to support your RoHS requirements. We've assessed more than 1.5 million end items/components for RoHS compliance, and issued new part numbers where any change was required to eliminate the restricted materials. Part numbers in this catalogue are identified as:

RoHS Compliant

Part numbers in this catalog are RoHS Compliant, unless marked otherwise.

These products comply with European Union Directive 2002/95/EC as amended 1 January 2006 that restricts the use of lead, mercury, cadmium, hexavalent chromium, PBB, and PBDE in certain electrical and electronic products sold into the EU as of 1 July 2006.

Note: For purposes of this Catalog, included within the definition of RoHS Compliant are products that are clearly "Out of Scope" of the RoHS Directive such as hand tools and other non-electrical accessories.

Non-RoHS Compliant

These part numbers are identified with a "◆" symbol. These products do not comply with the material restrictions of the European Union Directive 2002/95/EC.

5 of 6 Compliant

A "●" symbol identifies these part numbers. These products do not fully comply with the European Union Directive 2002/95/EC because they contain lead in solderable interfaces (they do not contain any of the other five restricted substances above allowable limits). However, these products may be suitable for use in RoHS applications where there is an application-based exception for lead in solders, such as the server, storage, or networking infrastructure exemption.

Note: Information regarding RoHS compliance is provided based on reasonable inquiry of our suppliers and represents our current actual knowledge based on the information provided by our suppliers. This information is subject to change. For latest compliance status, refer to our website referenced below.

Getting the Information You Need

Our comprehensive on-line RoHS Customer Support Center provides a forum to answer your questions and support your RoHS needs. A RoHS FAQ (Frequently Asked Questions) is available with links to more detailed information. You can also submit RoHS questions and receive a response within 24 hours during a normal work week. The Support Center also provides:

- Cross-Reference from Non-compliant to Compliant Products
- Ability to browse RoHS Compliant Products in our on-line catalog:
<http://ecommas.tycoelectronics.com/commerce/alt/RohsAltHome.do>
- Downloadable Technical Data Customer Information Presentation
- More detailed information regarding the definitions used above



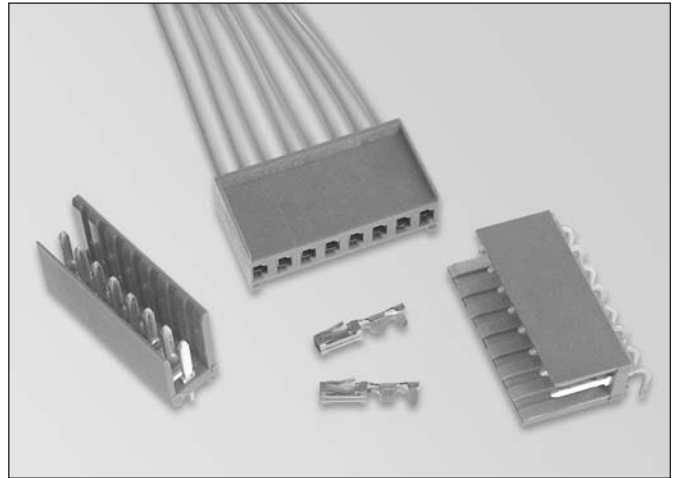
So whatever your questions when it comes to RoHS, we've got the answers at www.tycoelectronics.com/leadfree

Product Facts

- Rugged connector system featuring 0.79 x 1.57mm posts with mating receptacles
- Current rating 5 amps max per contact
- Available for board-to-board and wire-to-board connection
- Contacts available in both tin and gold plating
- Flame retardant thermoplastic housings UL 94V-1 rated
- Shrouded pin headers feature polarisation and detent latching

Specification:

Current Rating	- 5 A max
Operating Temperature	- -40°C to +105°C
Engaging Force	- 2.5 N per contact max (standard pressure contacts)
Separating Force	- 0.5 N per contact min (standard pressure contacts)
Durability	- 0.4 µm gold — 100 cycles 0.8 µm tin — 10 cycles (standard pressure contacts)
Contact Resistance	- 15 mΩ max
Insulation Resistance	- 5000 MΩ min



The 0.79 x 1.57mm interconnection system has been an industry standard for over 30 years. It is a rugged large scale system for board-to-board and wire-to-board connection in applications such as power supplies, industrial control and switchgear.

MOD I Receptacles

Cable mount receptacle housings accept crimp contacts with a wire size range from 17-22AWG (0.32-1.00mm²) and with a variety of plating options. Contacts are available in both reeled and loose piece format to suit different manufacturing requirements and volumes. Unhoused pcb receptacle contacts provide a simple board-to-board solution with MOD I unshrouded headers.

MOD I Headers

Pcb mount headers are provided in both shrouded and unshrouded versions. Shrouded headers are available in both straight and right angle variants with built-in polarisation when used with MOD I cable mount receptacles. Unshrouded pcb headers are offered for straight pcb mounting. Tin or gold plated contacts are available for both styles.

MOD I Shunt Connectors

The shunt connector is the easiest form of programming, allowing simple and flexible electrical connection. Supplied in strips they can be broken off as required. The open top design allows the use of a test probe while located in-circuit.

MOD I Receptacle Housings

Single Row

Specification:

Housing - Green glass fibre filled polycarbonate, UL 94V-1 rated

Mating Connectors:

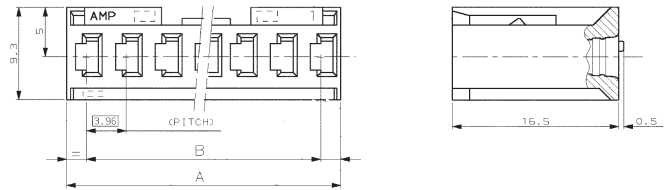
MOD I Shrouded Headers - Page 8



Technical Documents:

Product Specification - 108-20026
Application Specification - 114-20040

No. of Positions	Dimension		Part Number
	A	B	
2	7.8	3.96	280590
4	15.7	11.89	280591
6	23.7	19.81	280592
8	31.6	27.74	280593
10	39.5	35.66	280594
12	47.4	43.59	280595
Keying Plug			87116-2



MOD I Crimp Snap-In Receptacle Contacts with Insulation Support

Specification:

Material - Phosphor bronze, plated as follows:

Plating A - Selectively plated 0.8 µm gold on contact area, with gold flash over 1.27 µm nickel on entire contact

Plating B - Selectively plated 0.4 µm gold on contact area with gold flash over 1.27 µm nickel on entire contact

Plating C - Pre-tin plated 0.8 µm



Technical Documents:

Product Specification - 108-20026
Application Specification - 114-20040

Related Products:

Extraction Tool - 843473-1

Wire Size Range mm ²	AWG	Insulation Diameter mm	Plating	Part Number	
				Strip Form	Loose Piece
0.32-0.80	22-18	1.80-2.30	Plating B	280621-2	181299-2
			Plating C	280621-1	181299-1
			Plating A	280621-6	181299-6
			Plating C	280702-1*	182198-1*
0.5-1.0	20-17	2.20-2.80	Plating C	281423-1*	-

* With high contact pressure

For application tooling please see page 49

MOD I PCB Mount Receptacle Contacts

Specification:

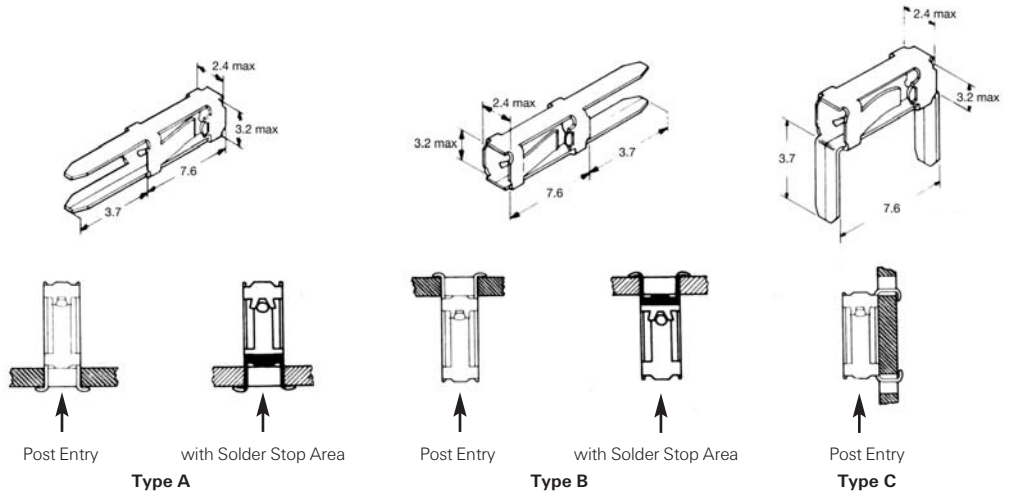
Material - Phosphor bronze
Plating - See table

Mating Connectors:

MOD I Unshrouded Headers - Page 9

Technical Documents:

Application Specification - 114-25004



Type A		Type B		Type C		Plating (Contact Zone)
On Reel	Loose Piece	On Reel	Loose Piece	On Reel	Loose Piece	
141002-1	141007-2	141003-2	141008-2	141004-2	141009-2	Galvanised tin plated
142165-1	-	142166-1	142166-2	-	-	Tin plated with solder stop area
141002-4	141007-4	141003-4	141008-4	141004-4	141009-4	0.8 µm Au over 1.3 µm Ni
141584-2	-	141585-2	141589-2	141586-2	141590-2	Duplex 0.8 µm Au over 1.3 µm Ni*
Keying Plug		86181-2				

* In the duplex gold plated version, the rest of the receptacle is nickel plated, the solder tabs are tin plated

MOD I Shrouded Headers

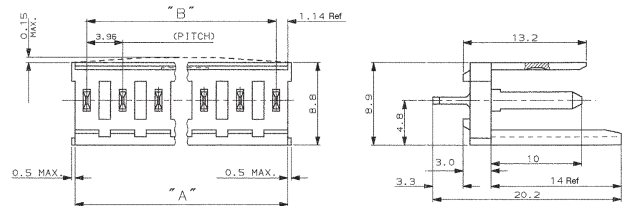
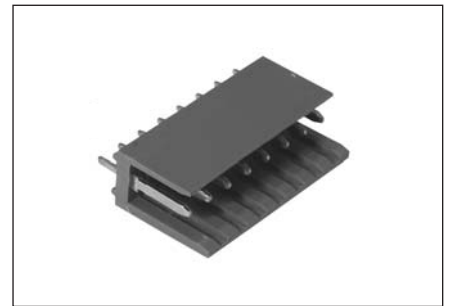
Straight

Specification:

- Housing** - Green glass fibre filled polycarbonate, UL 94V-1 rated
- Posts** - Brass (gold plating) or phosphor bronze (tin plating). Plating details as follows:
- Plating A** - Gold 0.4 µm on contact area, tin on solder area, with entire post underplated 1.3 µm nickel
- Plating B** - Tin 3.8 µm min

Mating Connectors:

MOD I Receptacle Housings - Page 6



Technical Documents:

Product Specification - 108-20026

No. of Positions	Dimension		Part Number	
	A	B	Plating A	Plating B
2	6.2	3.96	280609-2	280609-1
4	14.2	11.89	280610-2	280610-1
6	22.1	19.81	280611-2	280611-1
8	30.0	27.74	280612-2	280612-1
10	37.9	35.66	280613-2	280613-1
12	45.9	43.59	280614-2	280614-1

MOD I Shrouded Headers

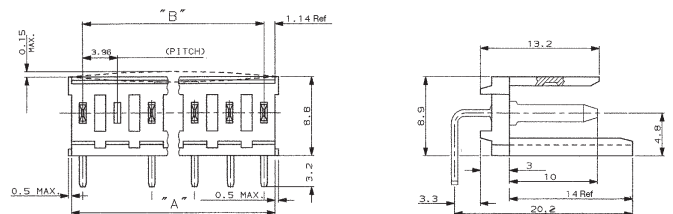
Right Angle

Specification:

- Housing** - Green glass fibre filled polycarbonate, UL 94V-1 rated
- Posts** - Brass (gold plating) or phosphor bronze (tin plating). Plating details as follows:
- Plating A** - Gold 0.4 µm on contact area, tin on solder area, with entire post underplated 1.3 µm nickel
- Plating B** - Tin 3.8 µm min

Mating Connectors:

MOD I Receptacle Housings - Page 6



Technical Documents:

Product Specification - 108-20026

No. of Positions	Dimension		Part Number	
	A	B	Plating A	Plating B
2	6.2	3.96	280615-2	280615-1
4	14.2	11.89	280616-2	280616-1
6	22.1	19.81	280617-2	280617-1
8	30.0	27.74	280618-2	280618-1
10	37.9	35.66	280619-2	280619-1
12	45.9	43.59	280620-2	280620-1

MOD I Unshrouded Headers

Straight

Specification:

Housing - Thermoplastic polyester, green
UL94V-0 rated

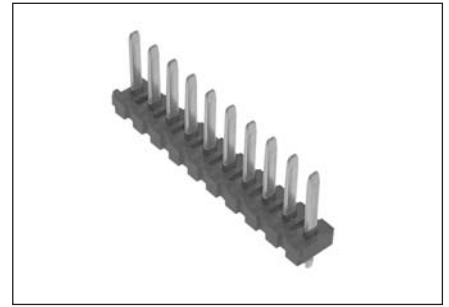
Posts - Brass

Plating A - 0.8 µm gold on contact area (F),
tin on solder area, with entire post
underplated 1.3 µm nickel

Plating B - Tin plated 2.5 µm min tin over
1.3 µm nickel

Mating Connectors:

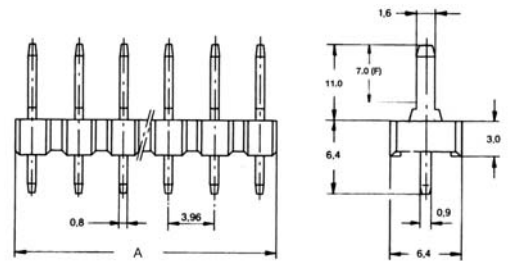
MOD I PCB Receptacle Contacts - Page 7



Technical Documents:

Product Specification - 108-20026

No. of Positions	Dimension A	Part Number	
		Plating A	Plating B
2	7.3	826539-2	826576-2
3	11.3	826539-3	826576-3
4	15.2	826539-4	826576-4
5	19.2	826539-5	826576-5
6	23.1	826539-6	826576-6
7	27.1	826539-7	826576-7
8	31.1	826539-8	826576-8
9	35.1	826539-9	826576-9
10	39.0	1-826539-0	1-826576-0
20	78.6	2-826539-0	2-826576-0
36	141.6	3-826539-6	3-826576-6



For part numbers of positions not shown, please combine dash numbers appropriately

MOD I Shunt Connectors

Specification:

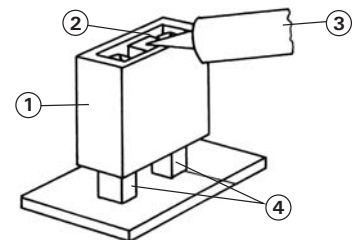
Housing - Polyamide 6.6, green UL94-HB rated

Contact - Phosphor bronze

Plating - Tin 2 µm min



No. of Positions	Part Number
1	826853-1
2	826853-2
3	826853-3



- 1 Housing
- 2 Contact
- 3 Testing Probe
- 4 Posts

Engineering Notes

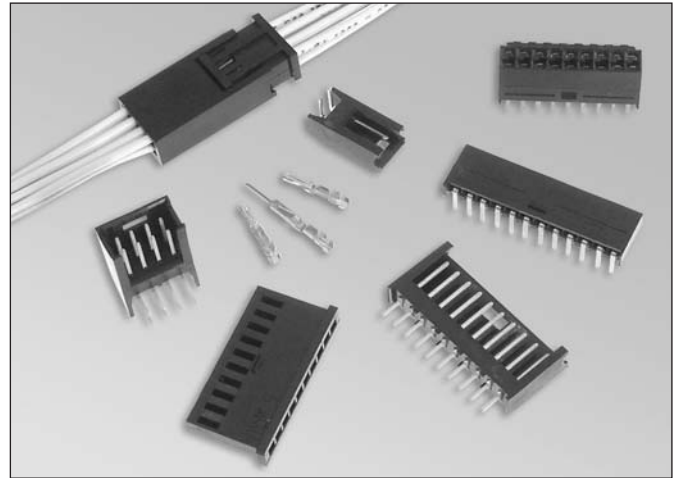


Product Facts

- Single and double row connector system featuring 0.63mm square posts with mating receptacles
- Current rating 3 amps max per contact
- Available for board-to-board, wire-to-board and wire-to-wire applications
- Contacts available in both tin and gold plating
- Flame retardant thermoplastic housings UL 94V-1 and UL 94V-0 rated
- Shrouded pin headers feature polarisation and detent latching

Specification:

- Current Rating** - 3 A max
- Operating Temperature** - -40°C to +80°C
- Engaging Force** - 1.8 N per contact max (standard pressure contacts)
- Separating Force** - 0.4 N per contact min (standard pressure contacts)
- Durability** - 0.4 µm gold— 100 cycles
0.8 µm gold— 200 cycles (standard pressure contacts)
- Contact Resistance** - 15 mΩ max
- Insulation Resistance** - 5000 MΩ min



A range of fully intermateable products on a 2.54mm centreline for board-to-board, wire-to-board and wire-to-wire applications. A very flexible range, ideal where a number of system connection methods are required, the MOD II Italian range provides reliable and dependable connection for a wide range of applications.

MOD II Receptacles

Receptacle products are offered in vertical and horizontal pcb mounting and as cable mount housings for crimp snap-in contacts with insulation support. Both pcb and cable mount receptacles feature polarisation and detent latching giving a positive click when used with the corresponding header variants. Crimp contacts for receptacle housings accommodate a wire size range of 20-30AWG (0.04mm² to 0.5mm²) and are available with a number of different plating options.

MOD II Shrouded Headers and Pin Housings

Available as both shrouded pcb headers with 0.63mm posts or as cable mount housings to accept crimp snap-in pin contacts with insulation support. Shrouded headers feature gold or tin plating in straight or right angle and will mate with both pcb and cable mount receptacles. Cable mount pin housings also mate with both pcb and cable mount receptacles. Crimp contacts for pin housings allow termination to wire size ranges 22-30AWG (0.04mm² to 0.32mm²) with a choice of plating finishes.

MOD II Receptacle Housings

Single and Double Row

Specification:

Housing - Black thermoplastic,
UL 94V-1 rated

Mating Connectors:

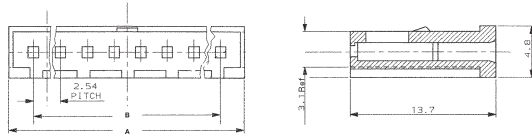
MOD II Shrouded Headers - Pages 15-16
MOD II Pin Housings - Page 13

Technical Documents:

Product Specification - 108-20025
Application Specification - 114-20004



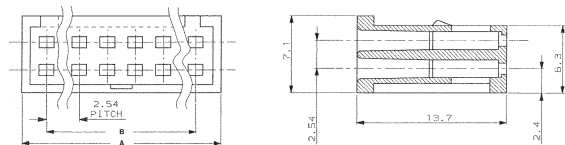
Single Row



No. of Positions	Dimension		Part Number
	A	B	
2	7.1	2.54	280358
4	12.2	7.62	280359
6	17.3	12.70	280360
8	22.3	17.78	280361
9	24.9	20.32	280512
10	27.4	22.86	280362
12	32.5	27.94	280514
15	40.1	35.56	280363
22	57.9	53.34	280364

Keying Plug	87077-2
-------------	---------

Double Row



No. of Positions	Dimension		Part Number
	A	B	
2x4	12.2	7.62	280365
2x5	14.7	10.16	284123-1
2x6	17.2	12.70	282792-1
2x8	22.3	17.78	280366
2x9	24.9	20.32	280513
2x12	32.5	27.94	280515
2x15	40.1	35.56	280368
2x18	47.8	43.18	281018
2x22	57.9	53.34	280369

Keying Plug	87077-2
-------------	---------

MOD II Crimp Snap-In Receptacle Contacts with Insulation Support

Specification:

Material - Phosphor bronze, plated as follows:

Plating A - Pre-tin plated 0.8 µm

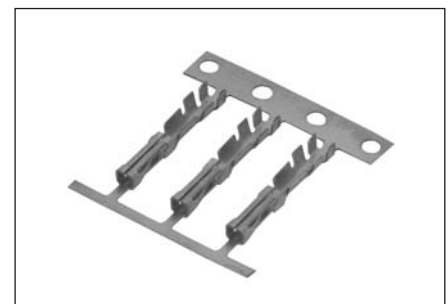
Plating B - Selectively plated 0.4 µm gold on contact area, with gold flash over 1.3 µm nickel on entire contact

Plating C - Selectively plated 0.4 µm gold on contact area, over 1.3 µm nickel on entire contact

Plating D - Selectively plated 0.8 µm gold on contact area, with gold flash over 1.3 µm nickel on entire contact

Technical Documents:

Product Specification - 108-20025
Application Specification - 114-20004



Wire Size Range mm ²	AWG	Insulation Diameter mm	Plating	Part Number	
				Strip Form	Loose Piece
0.5-0.2	20-24	1.60 max	Plating D	281999-1	-
			Plating A	281556-2*	-
0.32-0.13	22-26	0.90-1.55	Plating B	280530-1	181270-1
			Plating C	280530-3	181270-3
			Plating D	280530-4	181270-4
			Plating A	280708-2*	182206-2*
0.08-0.04	28-30	0.64-1.27	Plating B	280422-1	181271-1
			Plating A	280709-2*	182207-2*

* With high contact pressure

For application tooling please see page 49

MOD II Pin Housings

Single and Double Row

Specification:

Housing - Black thermoplastic,
UL 94V-1 rated

Mating Connectors:

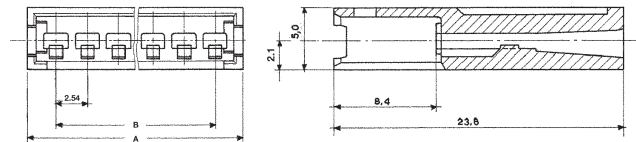
MOD II Receptacle Housings - Page 12
MOD II PCB Receptacles - Page 14



Technical Documents:

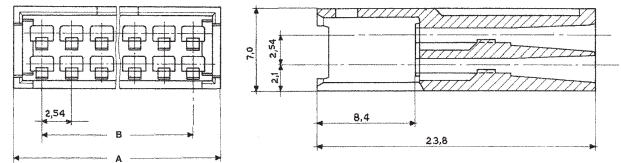
Product Specification - 108-20025

Single Row



No. of Positions	Dimension		Part Number
	A	B	
2	7.4	2.54	280628
4	12.5	7.62	280629
6	17.5	12.70	280630
8	22.6	17.78	280631
9	25.1	20.32	280632
10	27.7	22.86	280633
12	32.8	27.94	280634
15	40.4	35.56	280635

Double Row



No. of Positions	Dimension		Part Number
	A	B	
2x4	12.5	7.62	280637
2x8	22.6	17.78	280638
2x12	32.8	27.94	280640

MOD II Crimp Snap-In Pin Contacts with Insulation Support

Specification:

Material - Phosphor bronze, plated as follows:

Plating A - 2.5 µm tin over 1.3 µm nickel on entire contact

Plating B - Selectively plated 0.4 µm gold on contact area, with gold flash over 1.3 µm nickel on entire contact



Technical Documents:

Application Specification - 114-16003

Wire Size Range mm ²	AWG	Insulation Diameter mm	Plating	Part Number	
				Strip Form	Loose Piece
0.32-0.13	22-26	0.90-1.55	Plating B	86557-6	86561-6
			Plating A	1-86557-9	1-86561-0
0.08-0.04	28-30	0.64-1.27	Plating B	88048-4	-

For application tooling please see page 49

MOD II Receptacles

Vertical PCB Mount

Specification:

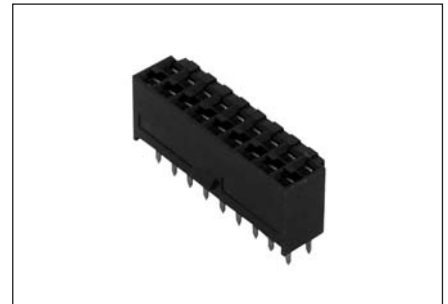
- Housing** - Black glass fibre filled polyester, UL 94V-0 rated
- Contacts** - Phosphor bronze, plated as follows:
- Plating A** - Selectively plated 0.4 µm gold on contact area, with gold flash over nickel on entire contact
- Plating B** - Tin 0.8 µm

Mating Connectors:

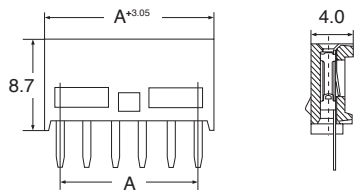
- MOD II Shrouded Headers - Pages 15-16
- MOD II Pin Housings - Page 13

Technical Documents:

- Product Specification - 108-20025



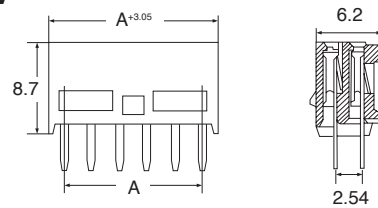
Single Row



No. of Positions	Dimension A	Part Number	
		Plating A	Plating B
4	7.62	-	281327-1
8	17.78	281349-2	-
9	20.32	280851-2	-
12	27.94	281350-2	281331-1
15	35.56	281351-2	281328-1
22	53.34	-	281332-1

Keying Plug	86286-1
-------------	---------

Double Row



No. of Positions	Dimension A	Part Number	
		Plating A	Plating B
2x8	17.78	281352-2	281215-1
2x9	20.32	281353-2	281339-1
2x12	27.94	281216-2	281340-1
2x15	35.56	280922-2	-
2x22	53.34	280836-2	281342-1

Keying Plug	86286-1
-------------	---------

MOD II Receptacles

Horizontal PCB Mount

Specification:

- Housing** - Black glass fibre filled polyester, UL 94V-0 rated
- Contacts** - Phosphor bronze, plated as follows:
- Plating A** - Selectively plated 0.4 µm gold on contact area, with gold flash over nickel on entire contact
- Plating B** - Tin 0.8 µm

Mating Connectors:

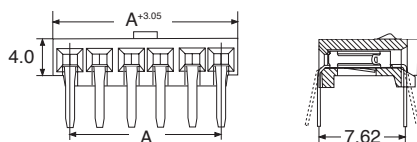
- MOD II Shrouded Headers - Pages 15-16
- MOD II Pin Housings - Page 13

Technical Documents:

- Product Specification - 108-20025



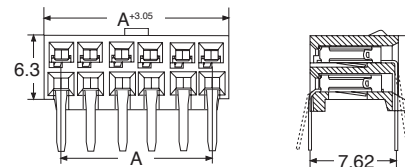
Single Row



No. of Positions	Dimension A	Part Number	
		Plating A	Plating B
4	7.62	281218-2	281333-1
8	17.78	280578-2	281334-1
9	20.32	280579-2	-
12	27.94	280580-2	281336-1
15	35.56	280581-2	-
22	53.34	280582-2	-

Keying Plug	86286-1
-------------	---------

Double Row



No. of Positions	Dimension A	Part Number
		Plating A
2x8	17.78	280583-2
2x12	27.94	280585-2
2x15	35.56	280586-2

Keying Plug	86286-1
-------------	---------

MOD II Shrouded Headers

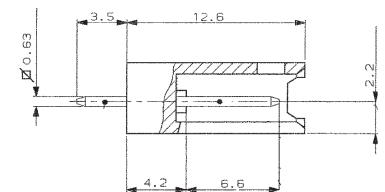
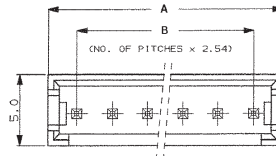
Straight, Single Row

Specification:

- Housing** - Black thermoplastic, UL 94V-0 rated
- Posts** - Brass (gold plating) or phosphor bronze (tin plating). Plating details as follows:
- Plating A** - Gold 0.8 µm on contact area and 2.5 µm tin on solder area, with entire post underplated 1.3 µm nickel
- Plating B** - Gold 0.4 µm on contact area and 2.5 µm tin on solder area, with entire post underplated 1.3 µm nickel
- Plating C** - Tin 3.5 µm

Mating Connectors:

- MOD II Receptacle Housings - Page 12
- MOD II PCB Receptacles - Page 14



Technical Documents:

Product Specification - 108-20025

No. of Positions	Dimension		Plating A	Part Number	Plating B	Plating C
	A	B				
2	7.7	2.54	280370-3	280370-2	280370-1	
4	12.7	7.62	280371-3	280371-2	280371-1	
6	17.8	12.70	280372-3	280372-2	280372-1	
8	22.9	17.78	280373-3	280373-2	280373-1	
9	25.4	20.32	-	280508-2	280508-1	
10	28.0	22.86	280374-3	280374-2	280374-1	
12	33.1	27.94	280520-3	280520-2	280520-1	
15	40.7	35.56	280375-3	280375-2	280375-1	
22	58.5	53.34	280376-3	280376-2	280376-1	

MOD II Shrouded Headers

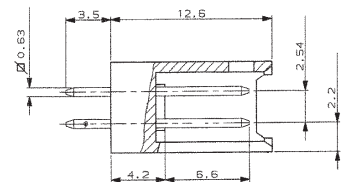
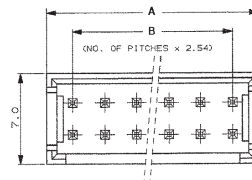
Straight, Double Row

Specification:

- Housing** - Black thermoplastic, UL 94V-0 rated
- Posts** - Brass (gold plating) or phosphor bronze (tin plating). Plating details as follows:
- Plating A** - Gold 0.8 µm on contact area and 2.5 µm tin on solder area, with entire post underplated 1.3 µm nickel
- Plating B** - Gold 0.4 µm on contact area and 2.5 µm tin on solder area, with entire post underplated 1.3 µm nickel
- Plating C** - Tin 3.5 µm

Mating Connectors:

- MOD II Receptacle Housings - Page 12
- MOD II PCB Receptacles - Page 14



Technical Documents:

Product Specification - 108-20025

No. of Positions	Dimension		Plating A	Part Number	Plating B	Plating C
	A	B				
2x4	12.7	7.62	280384-3	280384-2	280384-1	
2x8	22.9	17.78	280385-3	280385-2	280385-1	
2x9	25.4	20.32	280509-3	280509-2	280509-1	
2x12	33.1	27.94	280521-3	280521-2	280521-1	
2x15	40.7	35.56	280387-3	280387-2	280387-1	
2x18	48.3	43.18	-	281019-2	-	
2x22	58.5	53.34	-	280388-2	280388-1	

MOD II Shrouded Headers

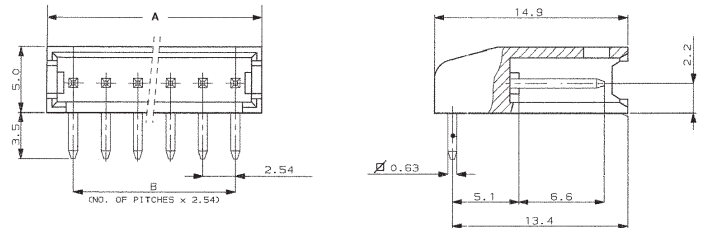
Right Angle, Single Row

Specification:

- Housing** - Black thermoplastic, UL 94V-0 rated
- Posts** - Brass (gold plating) or phosphor bronze (tin plating). Plating details as follows:
- Plating A** - Gold 0.8 µm on contact area and 2.5 µm tin on solder area, with entire post underplated 1.3 µm nickel
- Plating B** - Gold 0.4 µm on contact area and 2.5 µm tin on solder area, with entire post underplated 1.3 µm nickel
- Plating C** - Tin 3.5 µm

Mating Connectors:

- MOD II Receptacle Housings - Page 12
- MOD II PCB Receptacles - Page 14



Technical Documents:

Product Specification - 108-20025

No. of Positions	Dimension		Part Number		
	A	B	Plating A	Plating B	Plating C
2	7.7	2.54	280377-3	280377-2	280377-1
4	12.7	7.62	280378-3	280378-2	280378-1
6	17.8	12.70	280379-3	280379-2	280379-1
8	22.9	17.78	280380-3	280380-2	280380-1
9	25.4	20.32	-	-	280511-1
10	28.0	22.86	280381-3	280381-2	280381-1
12	33.1	27.94	280523-3	280523-2	280523-1
15	40.7	35.56	-	280382-2	280382-1
22	58.5	53.34	-	280383-2	280383-1

MOD II Shrouded Headers

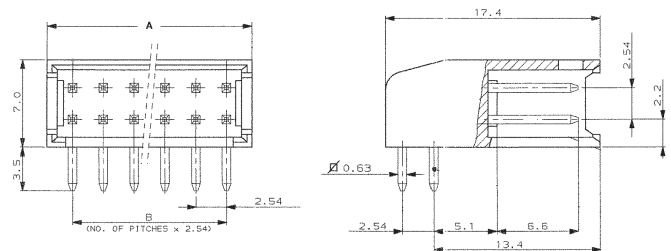
Right Angle, Double Row

Specification:

- Housing** - Black thermoplastic, UL 94V-0 rated
- Posts** - Brass (gold plating) or phosphor bronze (tin plating). Plating details as follows:
- Plating A** - Gold 0.8 µm on contact area and 2.5 µm tin on solder area, with entire post underplated 1.3 µm nickel
- Plating B** - Gold 0.4 µm on contact area and 2.5 µm tin on solder area, with entire post underplated 1.3 µm nickel
- Plating C** - Tin 3.5 µm

Mating Connectors:

- MOD II Receptacle Housings - Page 12
- MOD II PCB Receptacles - Page 14



Technical Documents:

Product Specification - 108-20025

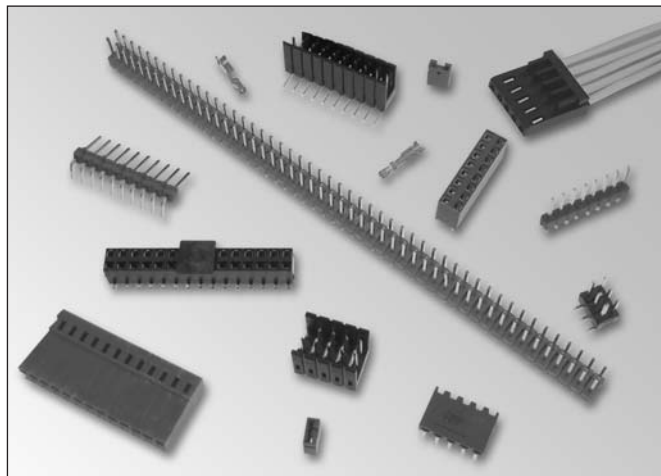
No. of Positions	Dimension		Part Number		
	A	B	Plating A	Plating B	Plating C
2x4	12.7	7.62	280389-3	280389-2	280389-1
2x5	15.2	10.16	-	284124-1	-
2x6	17.8	12.70	-	282790-1	-
2x8	22.9	17.78	280390-3	280390-2	280390-1
2x9	25.4	20.32	280510-3	280510-2	280510-1
2x12	33.1	27.94	280522-3	280522-2	280522-1
2x15	40.7	35.56	280392-3	280392-2	280392-1
2x18	48.3	43.18	-	281021-2	-
2x22	58.5	53.34	-	280393-2	280393-1

Product Facts

- Comprehensive single and double row connector system featuring 0.63mm posts with mating receptacles
- Current rating 3A max per contact
- Available for wire-to-board and board-to-board applications
- Contacts available in both tin and gold plating
- Flame retardant thermoplastic housings are UL 94V-0 rated

Specification:

- Current Rating** - 3 A max
- Operating Temperature** - -55°C to +105°C
- Contact Resistance** - 20 mΩ max
- Insulation Resistance** - 1000 MΩ min



A wide range of modular interconnects on the industry standard 2.54mm grid addressing applications across all industry sectors. Designed for wire-to-board or board-to-board connection, including stacking, the AMPMODU 2.54mm interconnection system provides a comprehensive solution for this ever popular connection standard.

MOD II Breakaway Pin Headers

Supplied in a breakaway form, headers can be conveniently broken to any size needed ensuring maximum versatility. Available in straight and right angle, compatibility with mating receptacles is assured through a range of pin lengths and plating options. Pin headers are offered for surface mount, press fit action pin and standard through hole solder.

HV100/190 PCB Receptacles

HV100/190 receptacles are available in vertical and horizontal mounting and offer the benefit of a short contact point design. Options for sealing, top or bottom entry and surface mounting ensure a suitable connector is available for each application. Three mounting heights for the HV100 vertical receptacle allow the connector to be used for versatile stacking applications. All HV100/190 receptacles feature a choice of gold or tin contact plating.

MOD II High Temperature Shrouded Headers

With a range of dedicated cable mount receptacle products, the MOD II shrouded headers allow wire-to-board connection with the added security of shrouded pin contacts. MOD II headers also offer the benefit of compatibility with surface mount reflow processes.

MOD IV Cable Mount Receptacles

Available in two styles, MOD IV cable mount receptacle housings accept MOD IV/V crimp snap-in contacts, providing connection to the MOD II shrouded headers and the MOD II breakaway pin header family. Complete with a range of accessories including keying and retention plugs, this range of receptacles offer reliable and cost effective wire-to-board connection. Contacts suitable for wire sizes 20-32AWG (0.032mm² to 0.56mm²) are available with a range of plating finishes in standard or high contact pressure variants.

MOD IV Shunt Connectors

The shunt connector provides quick and easy programming of electronic circuits. Supplied in strips they can be broken off as required, or may be supplied in loose piece form. The open top design allows the use of a test probe while in-circuit.

MOD II Low Cost Line Breakaway Pin Headers

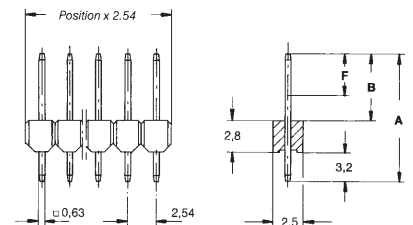
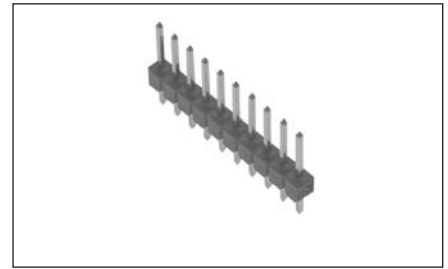
Straight, Single Row 0.63mm Square Post

Specification:

- Housing** - Green polyester, glass filled, UL 94V-0 rated
- Posts** - Phosphor bronze, plated as follows:
- Plating A** - Contact Zone (Area F) 0.8 µm gold over 1.3 µm nickel
- Soldering Zone 3 µm min. tin over 1.3 µm nickel
- Plating B** - 2 µm min. tin over 1.3 µm nickel

Mating Connectors:

- HV100 PCB Receptacles - Pages 24-28
- HV190 PCB Receptacles - Page 29
- MOD IV Receptacle Housings - Page 34



Technical Documents:

Product Specification - 108-18012

No. of Positions	A=11.8 B=5.8 F=4.4 Part Number		A=12.7 B=6.7 F=4.4 Part Number		A=14.0 B=8.0 F=4.4 Part Number	
	Plating A	Plating B	Plating A	Plating B	Plating A	Plating B
2	826646-2	826936-2	826629-2	826926-2	826648-2	826938-2
3	826646-3	826936-3	826629-3	826926-3	826648-3	826938-3
4	826646-4	826936-4	826629-4	826926-4	826648-4	826938-4
5	826646-5	826936-5	826629-5	826926-5	826648-5	826938-5
6	826646-6	826936-6	826629-6	826926-6	826648-6	826938-6
7	826646-7	826936-7	826629-7	826926-7	826648-7	826938-7
8	826646-8	826936-8	826629-8	826926-8	826648-8	826938-8
9	826646-9	826936-9	826629-9	826926-9	826648-9	826938-9
10	1-826646-0	1-826936-0	1-826629-0	1-826926-0	1-826648-0	1-826938-0
20	2-826646-0	2-826936-0	2-826629-0	2-826926-0	2-826648-0	2-826938-0
50	5-826646-0	5-826936-0	5-826629-0	5-826926-0	5-826648-0	5-826938-0

For part numbers of positions not shown, please combine dash numbers appropriately

MOD II Low Cost Line Breakaway Pin Headers

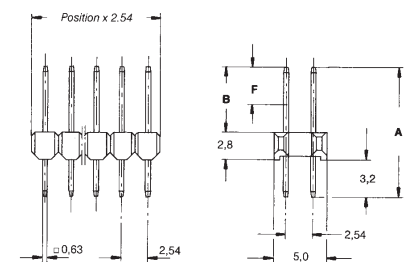
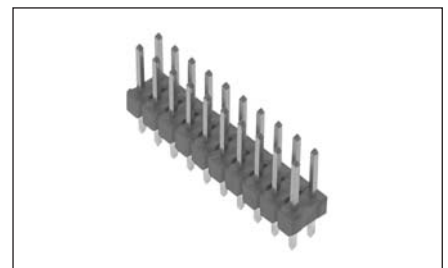
Straight, Double Row 0.63mm Square Post

Specification:

- Housing** - Green polyester, glass filled, UL 94V-0 rated
- Posts** - Phosphor bronze, plated as follows:
- Plating A** - Contact Zone (Area F) 0.8 µm gold over 1.3 µm nickel
- Soldering Zone 3 µm min. tin over 1.3 µm nickel
- Plating B** - 2 µm min. tin over 1.3 µm nickel

Mating Connectors:

- HV100 PCB Receptacles - Pages 24-28
- HV190 PCB Receptacles - Page 29
- MOD IV Receptacle Housings - Page 34



Technical Documents:

Product Specification - 108-18012

No. of Positions	A=11.8 B=5.8 F=4.4 Part Number		A=12.7 B=6.7 F=5.5 Part Number		A=14.0 B=8.0 F=4.4 Part Number	
	Plating A	Plating B	Plating A	Plating B	Plating A	Plating B
2x2	826656-2	826942-2	826632-2	826925-2	826658-2	826944-2
2x3	826656-3	826942-3	826632-3	826925-3	826658-3	826944-3
2x4	826656-4	826942-4	826632-4	826925-4	826658-4	826944-4
2x5	826656-5	826942-5	826632-5	826925-5	826658-5	826944-5
2x6	826656-6	826942-6	826632-6	826925-6	826658-6	826944-6
2x7	826656-7	826942-7	826632-7	826925-7	826658-7	826944-7
2x8	826656-8	826942-8	826632-8	826925-8	826658-8	826944-8
2x9	826656-9	826942-9	826632-9	826925-9	826658-9	826944-9
2x10	1-826656-0	1-826942-0	1-826632-0	1-826925-0	1-826658-0	1-826944-0
2x20	2-826656-0	2-826942-0	2-826632-0	2-826925-0	2-826658-0	2-826944-0
2x50	5-826656-0	5-826942-0	5-826632-0	5-826925-0	5-826658-0	5-826944-0

For part numbers of positions not shown, please combine dash numbers appropriately

MOD II Low Cost Line Breakaway Pin Headers

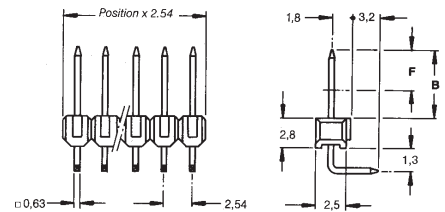
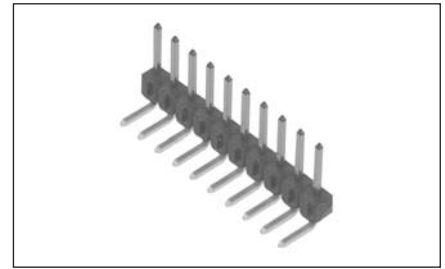
Right Angle, Single Row 0.63mm Square Post

Specification:

- Housing** - Green polyester, glass filled, UL 94V-0 rated
- Posts** - Phosphor bronze, plated as follows:
- Plating A** - Contact Zone (Area F) 0.8 µm gold over 1.3 µm nickel
- Soldering Zone 3 µm min. tin over 1.3 µm nickel
- Plating B** - 2 µm min. tin over 1.3 µm nickel

Mating Connectors:

- HV100 PCB Receptacles - Pages 24-28
- HV190 PCB Receptacles - Page 29
- MOD IV Receptacle Housings - Page 34



Technical Documents:

Product Specification - 108-18012

No. of Positions	B=5.8 F=4.4 Part Number		B=6.7 F=4.4 Part Number		B=8.0 F=4.4 Part Number	
	Plating A	Plating B	Plating A	Plating B	Plating A	Plating B
2	826652-2	826949-2	826631-2	826947-2	826654-2	826951-2
3	826652-3	826949-3	826631-3	826947-3	826654-3	826951-3
4	826652-4	826949-4	826631-4	826947-4	826654-4	826951-4
5	826652-5	826949-5	826631-5	826947-5	826654-5	826951-5
6	826652-6	826949-6	826631-6	826947-6	826654-6	826951-6
7	826652-7	826949-7	826631-7	826947-7	826654-7	826951-7
8	826652-8	826949-8	826631-8	826947-8	826654-8	826951-8
9	826652-9	826949-9	826631-9	826947-9	826654-9	826951-9
10	1-826652-0	1-826949-0	1-826631-0	1-826947-0	1-826654-0	1-826951-0
20	2-826652-0	2-826949-0	2-826631-0	2-826947-0	2-826654-0	2-826951-0
50	5-826652-0	5-826949-0	5-826631-0	5-826947-0	5-826654-0	5-826951-0

For part numbers of positions not shown, please combine dash numbers appropriately

MOD II Low Cost Line Breakaway Pin Headers

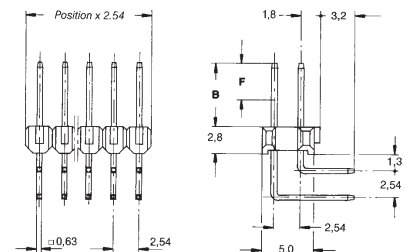
Right Angle, Double Row 0.63mm Square Post

Specification:

- Housing** - Green polyester, glass filled, UL 94V-0 rated
- Posts** - Phosphor bronze, plated as follows:
- Plating A** - Contact Zone (Area F) 0.8 µm gold over 1.3 µm nickel
- Soldering Zone 3 µm min. tin over 1.3 µm nickel
- Plating B** - 2 µm min. tin over 1.3 µm nickel

Mating Connectors:

- HV100 PCB Receptacles - Pages 24-28
- HV190 PCB Receptacles - Page 29
- MOD IV Receptacle Housings - Page 34



Technical Documents:

Product Specification - 108-18012

No. of Positions	B=5.8 F=4.4 Part Number		B=6.7 F=5.5 Part Number		B=8.0 F=4.4 Part Number	
	Plating A	Plating B	Plating A	Plating B	Plating A	Plating B
2x2	826662-2	826955-2	826634-2	826953-2	826664-2	826957-2
2x3	826662-3	826955-3	826634-3	826953-3	826664-3	826957-3
2x4	826662-4	826955-4	826634-4	826953-4	826664-4	826957-4
2x5	826662-5	826955-5	826634-5	826953-5	826664-5	826957-5
2x6	826662-6	826955-6	826634-6	826953-6	826664-6	826957-6
2x7	826662-7	826955-7	826634-7	826953-7	826664-7	826957-7
2x8	826662-8	826955-8	826634-8	826953-8	826664-8	826957-8
2x9	826662-9	826955-9	826634-9	826953-9	826664-9	826957-9
2x10	1-826662-0	1-826955-0	1-826634-0	1-826953-0	1-826664-0	1-826957-0
2x20	2-826662-0	2-826955-0	2-826634-0	2-826953-0	2-826664-0	2-826957-0
2x50	5-826662-0	5-826955-0	5-826634-0	5-826953-0	5-826664-0	5-826957-0

For part numbers of positions not shown, please combine dash numbers appropriately

MOD II Economy Line Breakaway Pin Headers

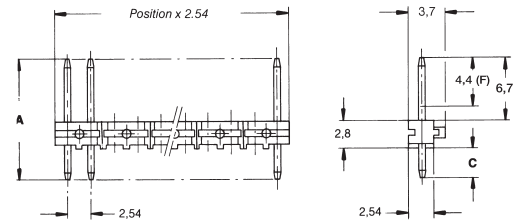
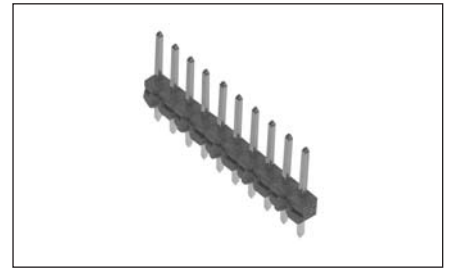
Straight, Single Row 0.63mm Square Post

Specification:

- Housing** - Green polyester, glass filled, UL 94V-0 rated
- Posts** - Phosphor bronze, plated as follows:
- Plating A** - Contact Zone (Area F) 0.8 µm gold over 1.3 µm nickel
- Soldering Zone 2.5 µm min. tin over 1.3 µm nickel
- Plating B** - 2 µm min. tin over 1.3 µm nickel

Mating Connectors:

MOD IV Receptacle Housings - Page 34



No. of Positions	A=12.7 C=3.2 Part Number		A=15.2 C=5.7 Part Number		A=20.3 C=10.8 Part Number	
	Plating A	Plating B	Plating A	Plating B	Plating A	Plating B
2	825433-2	828214-2	825434-2	827312-2	825435-2	827313-2
3	825433-3	828214-3	825434-3	827312-3	825435-3	827313-3
4	825433-4	828214-4	825434-4	827312-4	825435-4	827313-4
5	825433-5	828214-5	825434-5	827312-5	825435-5	827313-5
6	825433-6	828214-6	825434-6	827312-6	825435-6	827313-6
7	825433-7	828214-7	825434-7	827312-7	825435-7	827313-7
8	825433-8	828214-8	825434-8	827312-8	825435-8	827313-8
9	825433-9	828214-9	825434-9	827312-9	825435-9	827313-9
10	1-825433-0	1-828214-0	1-825434-0	1-827312-0	1-825435-0	1-827313-0
20	2-825433-0	2-828214-0	2-825434-0	2-827312-0	2-825435-0	2-827313-0
50	5-825433-0	5-828214-0	5-825434-0	5-827312-0	5-825435-0	5-827313-0

For part numbers of positions not shown, please combine dash numbers appropriately

MOD II Economy Line Breakaway Pin Headers

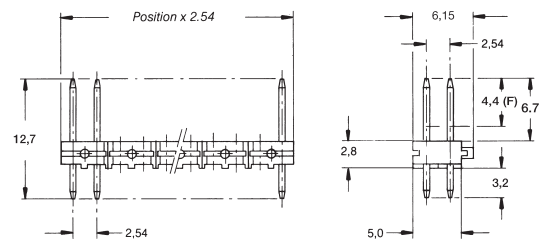
Straight, Double Row 0.63mm Square Post

Specification:

- Housing** - Green polyester, glass filled, UL 94V-0 rated
- Posts** - Phosphor bronze, plated as follows:
- Plating A** - Contact Zone (Area F) 0.8 µm gold over 1.3 µm nickel
- Soldering Zone 2.5 µm min. tin over 1.3 µm nickel
- Plating B** - 2 µm min. tin over 1.3 µm nickel

Mating Connectors:

MOD IV Receptacle Housings - Page 34



No. of Positions	Part Number	
	Plating A	Plating B
2x2	825440-2	828213-2
2x3	825440-3	828213-3
2x4	825440-4	828213-4
2x5	825440-5	828213-5
2x6	825440-6	828213-6
2x7	825440-7	828213-7
2x8	825440-8	828213-8
2x9	825440-9	828213-9
2x10	1-825440-0	1-828213-0
2x20	2-825440-0	2-828213-0
2x50	5-825440-0	5-828213-0

For part numbers of positions not shown, please combine dash numbers appropriately

MOD II Economy Line Breakaway Pin Headers

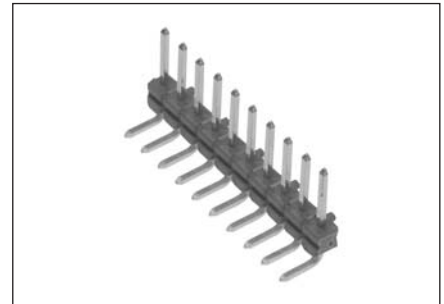
Right Angle, Single Row 0.63mm Square Post

Specification:

- Housing** - Green polyester, glass filled, UL 94V-0 rated
- Posts** - Phosphor bronze, plated as follows:
- Plating** - Contact Zone (Area F) 0.8 µm gold over 1.3 µm nickel
- Soldering Zone 2 µm min. tin over 1.3 µm nickel

Mating Connectors:

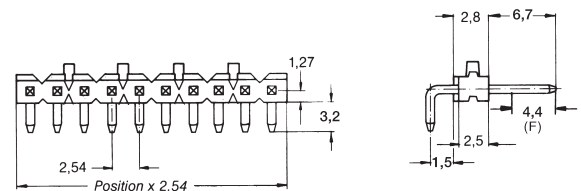
MOD IV Receptacle Housings - Page 34



Technical Documents:

Product Specification - 108-18012

No. of Positions	Part Number
2	825437-2
3	825437-3
4	825437-4
5	825437-5
6	825437-6
7	825437-7
8	825437-8
9	825437-9
10	1-825437-0
20	2-825437-0
50	5-825437-0



For part numbers of positions not shown, please combine dash numbers appropriately

MOD II Economy Line Breakaway Pin Headers

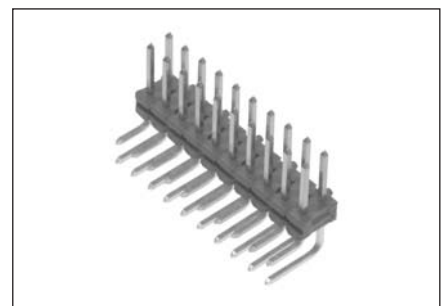
Right Angle, Double Row 0.63mm Square Post

Specification:

- Housing** - Green polyester, glass filled, UL 94V-0 rated
- Posts** - Phosphor bronze, plated as follows:
- Plating** - Contact Zone (Area F) 0.8 µm gold over 1.3 µm nickel
- Soldering Zone 2 µm min. tin over 1.3 µm nickel

Mating Connectors:

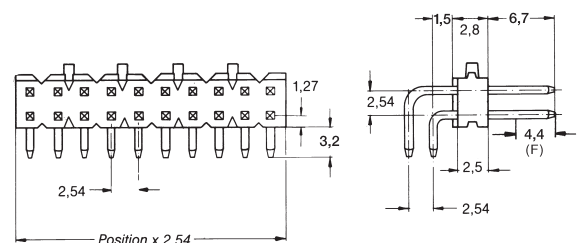
MOD IV Receptacle Housings - Page 34



Technical Documents:

Product Specification - 108-18012

No. of Positions	Part Number
2x2	825457-2
2x3	825457-3
2x4	825457-4
2x5	825457-5
2x6	825457-6
2x7	825457-7
2x8	825457-8
2x9	825457-9
2x10	1-825457-0
2x20	2-825457-0
2x50	5-825457-0



For part numbers of positions not shown, please combine dash numbers appropriately

MOD II Surface Mount Breakaway Pin Headers

Straight, Single Row 0.63mm Square Post - End Stackable

Specification:

Housing and pick & place cap - PCT GV Black

Posts - Phosphor bronze, plated as follows:
 - Contact Zone (Area F) 0.8 µm gold over 1.3 µm nickel
 - Soldering Zone 2.5 µm min. tin over 1.3 µm nickel

Packaging - Tape & reel

Mating Connectors:

HV100 PCB Receptacles - Pages 24-28
 HV190 PCB Receptacles - Page 29
 MOD IV Receptacle Housings - Page 34

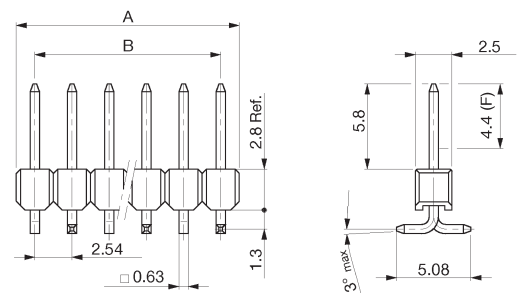


Technical Documents:

Product Specification - 108-18012

No. of Positions	Dimension		Part Number
	A	B	
3	7.62	5.08	1241150-3
4	10.16	7.62	1241150-4
5	12.70	10.16	1241150-5
6	15.24	12.70	1241150-6
7	17.78	15.24	1241150-7
8	20.32	17.78	1241150-8
9	22.86	20.32	1241150-9
10	25.40	22.86	1-1241150-0
17	43.18	40.64	1-1241150-7

For part numbers of positions not shown, please combine dash numbers appropriately



MOD II Surface Mount Breakaway Pin Headers

Straight, Double Row 0.63mm Square Post - End Stackable

Specification:

Housing and pick & place cap - PCT GV Black

Posts - Phosphor bronze, plated as follows:
 - Contact Zone (Area F) 0.8 µm gold over 1.3 µm nickel
 - Soldering Zone 2.5 µm min. tin over 1.3 µm nickel

Packaging - Tape & reel

Mating Connectors:

HV100 PCB Receptacles - Pages 24-28
 HV190 PCB Receptacles - Page 29
 MOD IV Receptacle Housings - Page 34

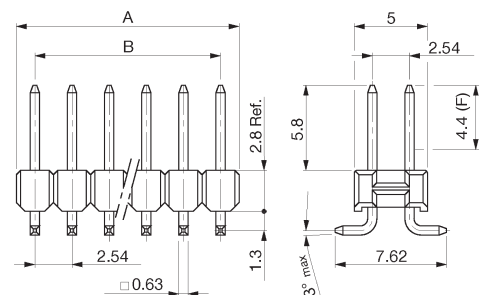


Technical Documents:

Product Specification - 108-18012

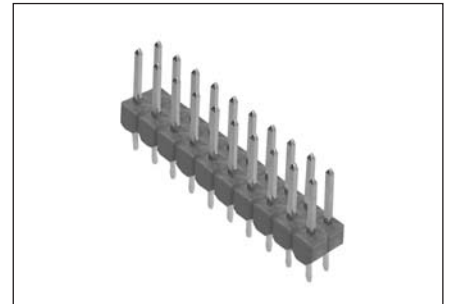
No. of Positions	Dimension		Part Number
	A	B	
2x2	5.08	2.54	1241050-2
2x3	7.62	5.08	1241050-3
2x4	10.16	7.62	1241050-4
2x5	12.70	10.16	1241050-5
2x6	15.24	12.70	1241050-6
2x7	17.78	15.24	1241050-7
2x8	20.32	17.78	1241050-8
2x9	22.86	20.32	1241050-9
2x10	25.40	22.86	1-1241050-0
2x17	43.18	40.64	1-1241050-7

For part numbers of positions not shown, please combine dash numbers appropriately



MOD II ACTION PIN Breakaway Pin Headers

Straight 0.63mm Square Post



Specification:

- Housing** - Polyester, glass filled, green
UL 94V-0 rated
- Posts** - Phosphor bronze, plated as follows:
- Plating A** - Contact Zone (Area F) 0.1 µm gold,
over 0.7 µm palladium alloy, over
1.27 µm nickel
- Action Pin Zone 2 µm min. tin
over 1.27 µm nickel
- Plating B** - Tin over 1.27 µm nickel

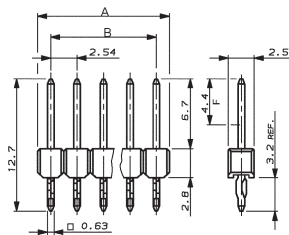
Mating Connectors:

- HV100 PCB Receptacles - Pages 24-28
- HV190 PCB Receptacles - Page 29
- MOD IV Receptacle Housings - Page 34

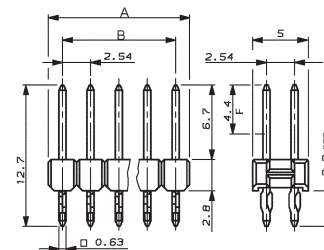
Technical Documents:

Product Specification - 108-18012

Single Row



Double Row



No. of Positions	Dimension		Part Number	
	A	B	Plating A	Plating B
2	5.08	2.54	966575-2	966573-2
3	7.62	5.08	966575-3	966573-3
4	10.16	7.62	966575-4	966573-4
5	12.70	10.16	966575-5	966573-5
6	15.24	12.70	966575-6	966573-6
7	17.78	15.24	966575-7	966573-7
8	20.32	17.78	966575-8	966573-8
9	22.86	20.32	966575-9	966573-9
10	25.40	22.86	1-966575-0	1-966573-0
20	50.80	48.26	2-966575-0	2-966573-0
50	127.00	124.46	5-966575-0	5-966573-0

No. of Positions	Dimension		Part Number	
	A	B	Plating A	Plating B
2x2	5.08	2.54	966574-2	966572-2
2x3	7.62	5.08	966574-3	966572-3
2x4	10.16	7.62	966574-4	966572-4
2x5	12.70	10.16	966574-5	966572-5
2x6	15.24	12.70	966574-6	966572-6
2x7	17.78	15.24	966574-7	966572-7
2x8	20.32	17.78	966574-8	966572-8
2x9	22.86	20.32	966574-9	966572-9
2x10	25.40	22.86	1-966574-0	1-966572-0
2x20	50.80	48.26	2-966574-0	2-966572-0
2x50	127.00	124.46	5-966574-0	5-966572-0

For part numbers of positions not shown, please combine dash numbers appropriately

MOD II ACTION PIN Posts

0.64mm Square Post

Specification:

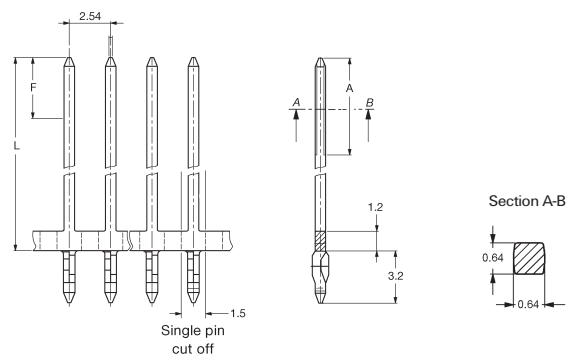
- Posts** - Phosphor bronze
- Plating A** - Contact Zone (Area F) 0.8 µm gold,
over 1.2 µm nickel
- Action Pin Zone 1.3 µm min. tin
over 1.2 µm nickel
- Plating B** - Contact Zone (Area F) 1 µm min.
tin over 1.2 µm nickel
- Action Pin Zone 5 µm min. tin
over 1.2 µm nickel

Technical Documents:

- Product Specification - 108-18012
- Application Specification - 114-25011

A	Dimension		Plating	Part Number Strip Form
	F	L		
4.8	4.8	6.8	Plating A	1-928776-5
8.5	8.5	10.0	Plating A	1-928776-4
8.0	8.0	12.0	Plating A	1-928776-3
6.7	6.7	8.25	Plating B	3-928776-2
8.5	6.0	10.0	Plating B	3-928776-4

Other post lengths and finishes on request



For application tooling please see page 49

HV-100 Receptacles, Vertical PCB Mount

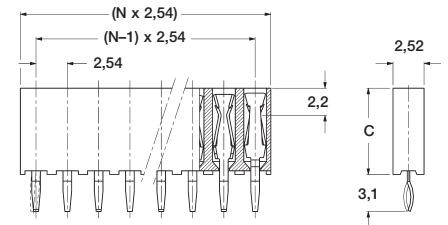
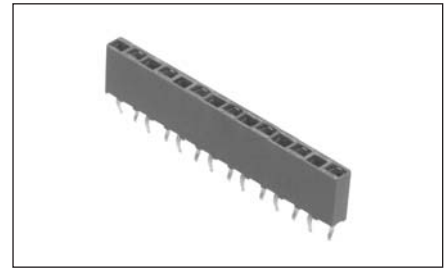
Single Row, Kinked Legs with Retention Feature - Top Entry

Specification:

- Housing** - Polyester, glass filled, green
UL 94V-0 rated
- Contacts** - Phosphor bronze, plated as follows:
- Plating A** - Contact Zone 0.8 µm gold over
1.3 µm nickel
- Soldering Zone 2.5 µm tin over
1.3 µm nickel
- Plating B** - 2.5 µm tin

Mating Connectors:

MOD II Pin Headers - Pages 18-19 & 22-23



Technical Documents:

Product Specification - 108-19056

No. of Positions	C=6.2 Part Number		C=7.0 Part Number		C=8.5 Part Number	
	Plating A	Plating B	Plating A	Plating B	Plating A	Plating B
2	829094-2	829411-2	215297-2	215298-2	215299-2	215300-2
3	829094-3	829411-3	215297-3	215298-3	215299-3	215300-3
4	829094-4	829411-4	215297-4	215298-4	215299-4	215300-4
5	829094-5	829411-5	215297-5	215298-5	215299-5	215300-5
6	829094-6	829411-6	215297-6	215298-6	215299-6	215300-6
7	829094-7	829411-7	215297-7	215298-7	215299-7	215300-7
8	829094-8	829411-8	215297-8	215298-8	215299-8	215300-8
9	829094-9	829411-9	215297-9	215298-9	215299-9	215300-9
10	1-829094-0	1-829411-0	1-215297-0	1-215298-0	1-215299-0	1-215300-0
20	2-829094-0	2-829411-0	2-215297-0	2-215298-0	2-215299-0	2-215300-0
36	3-829094-6	3-829411-6	3-215297-6	3-215298-6	3-215299-6	3-215300-6

For part numbers of positions not shown, please combine dash numbers appropriately

HV-100 Receptacles, Vertical PCB Mount

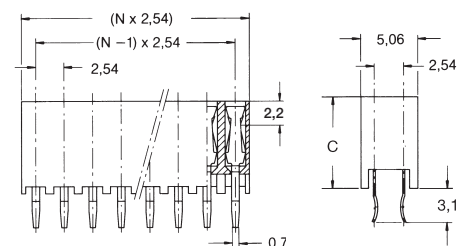
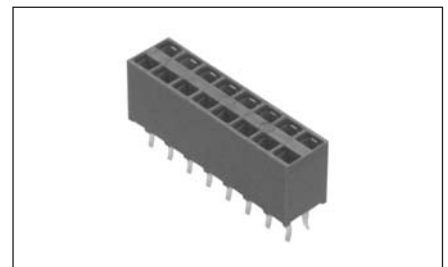
Double Row, Kinked Legs with Retention Feature - Top Entry

Specification:

- Housing** - Polyester, glass filled, green
UL 94V-0 rated
- Contacts** - Phosphor bronze, plated as follows:
- Plating A** - Contact Zone 0.8 µm gold over
1.3 µm nickel
- Soldering Zone 2.5 µm tin over
1.3 µm nickel
- Plating B** - 2.5 µm tin

Mating Connectors:

MOD II Pin Headers - Pages 18-19 & 22-23



Technical Documents:

Product Specification - 108-19056

No. of Positions	C=6.2 Part Number		C=7.0 Part Number		C=8.5 Part Number	
	Plating A	Plating B	Plating A	Plating B	Plating A	Plating B
2x2	829095-2	829410-2	215307-2	215308-2	215309-2	215310-2
2x3	829095-3	829410-3	215307-3	215308-3	215309-3	215310-3
2x4	829095-4	829410-4	215307-4	215308-4	215309-4	215310-4
2x5	829095-5	829410-5	215307-5	215308-5	215309-5	215310-5
2x6	829095-6	829410-6	215307-6	215308-6	215309-6	215310-6
2x7	829095-7	829410-7	215307-7	215308-7	215309-7	215310-7
2x8	829095-8	829410-8	215307-8	215308-8	215309-8	215310-8
2x9	829095-9	829410-9	215307-9	215308-9	215309-9	215310-9
2x10	1-829095-0	1-829410-0	1-215307-0	1-215308-0	1-215309-0	1-215310-0
2x20	2-829095-0	2-829410-0	2-215307-0	2-215308-0	2-215309-0	2-215310-0
2x36	3-829095-6	3-829410-6	3-215307-6	3-215308-6	3-215309-6	3-215310-6

For part numbers of positions not shown, please combine dash numbers appropriately

HV-100 Receptacles, Vertical PCB Mount, Sealed

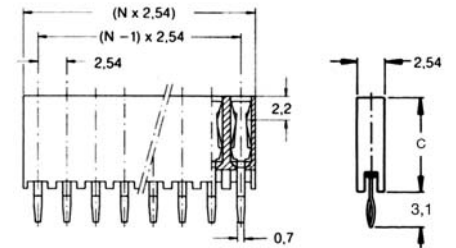
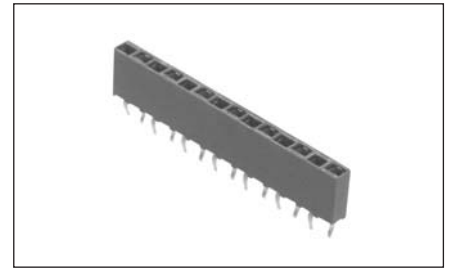
Single Row, Kinked Legs with Retention Feature - Top Entry

Specification:

- Housing** - Polyester, glass filled, green
UL 94V-0 rated
- Contacts** - Phosphor bronze, plated as follows:
- Plating A** - Contact Zone 0.8 µm gold over
1.3 µm nickel
- Soldering Zone 2.5 µm tin over
1.3 µm nickel
- Plating B** - 2.5 µm tin

Mating Connectors:

MOD II Pin Headers - Pages 18-19 & 22-23



Technical Documents:

Product Specification - 108-19056

No. of Positions	C=7.0 Part Number		C=8.5 Part Number	
	Plating A	Plating B	Plating A	Plating B
2	215301-2	215302-2	215303-2	215304-2
3	215301-3	215302-3	215303-3	215304-3
4	215301-4	215302-4	215303-4	215304-4
5	215301-5	215302-5	215303-5	215304-5
6	215301-6	215302-6	215303-6	215304-6
7	215301-7	215302-7	215303-7	215304-7
8	215301-8	215302-8	215303-8	215304-8
9	215301-9	215302-9	215303-9	215304-9
10	1-215301-0	1-215302-0	1-215303-0	1-215304-0
20	2-215301-0	2-215302-0	2-215303-0	2-215304-0
36	3-215301-6	3-215302-6	3-215303-6	3-215304-6

For part numbers of positions not shown, please combine dash numbers appropriately

HV-100 Receptacles, Vertical PCB Mount, Sealed

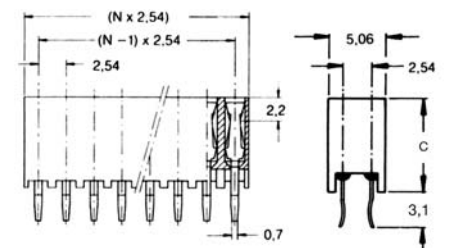
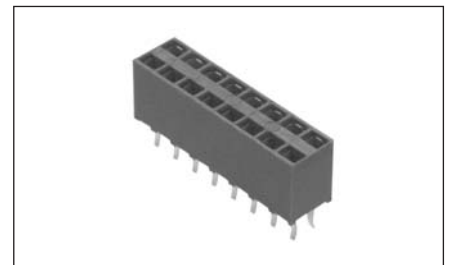
Double Row, Kinked Legs with Retention Feature - Top Entry

Specification:

- Housing** - Polyester, glass filled, green
UL 94V-0 rated
- Contacts** - Phosphor bronze, plated as follows:
- Plating A** - Contact Zone 0.8 µm gold over
1.3 µm nickel
- Soldering Zone 2.5 µm tin over
1.3 µm nickel
- Plating B** - 2.5 µm tin

Mating Connectors:

MOD II Pin Headers - Pages 18-19 & 22-23



Technical Documents:

Product Specification - 108-19056

No. of Positions	C=7.0 Part Number		C=8.5 Part Number	
	Plating A	Plating B	Plating A	Plating B
2x2	215311-2	215312-2	215313-2	215314-2
2x3	215311-3	215312-3	215313-3	215314-3
2x4	215311-4	215312-4	215313-4	215314-4
2x5	215311-5	215312-5	215313-5	215314-5
2x6	215311-6	215312-6	215313-6	215314-6
2x7	215311-7	215312-7	215313-7	215314-7
2x8	215311-8	215312-8	215313-8	215314-8
2x9	215311-9	215312-9	215313-9	215314-9
2x10	1-215311-0	1-215312-0	1-215313-0	1-215314-0
2x20	2-215311-0	2-215312-0	2-215313-0	2-215314-0
2x36	3-215311-6	3-215312-6	3-215313-6	3-215314-6

For part numbers of positions not shown, please combine dash numbers appropriately

HV-100 Receptacles, Vertical PCB Mount

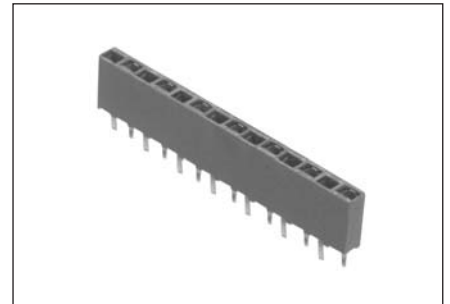
Single Row, Top or Bottom Entry

Specification:

- Housing** - Polyester, glass filled, green
UL 94V-0 rated
- Contacts** - Phosphor bronze, plated as follows:
- Plating A** - Contact Zone 0.8 µm gold over
1.3 µm nickel
- Soldering Zone 2.5 µm tin over
1.3 µm nickel
- Plating B** - 2.5 µm tin

Mating Connectors:

MOD II Pin Headers - Pages 18-19 & 22-23

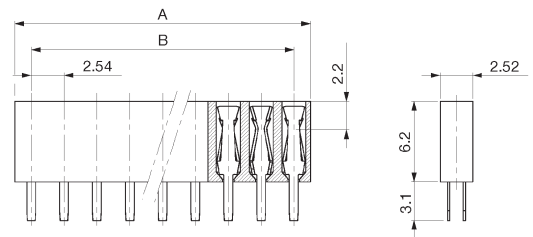


Technical Documents:

Product Specification - 108-19056

No. of Positions	Dimension		Part Number	
	A	B	Plating A	Plating B
2	5.08	2.54	215305-2	215306-2
3	7.62	5.08	215305-3	215306-3
4	10.16	7.62	215305-4	215306-4
5	12.70	10.16	215305-5	215306-5
6	15.24	12.70	215305-6	215306-6
7	17.78	15.24	215305-7	215306-7
8	20.32	17.78	215305-8	215306-8
9	22.86	20.32	215305-9	215306-9
10	25.40	22.86	1-215305-0	1-215306-0
20	50.80	48.26	2-215305-0	2-215306-0
36	91.44	88.90	3-215305-6	3-215306-6

For part numbers of positions not shown, please combine dash numbers appropriately



HV-100 Receptacles, Vertical PCB Mount

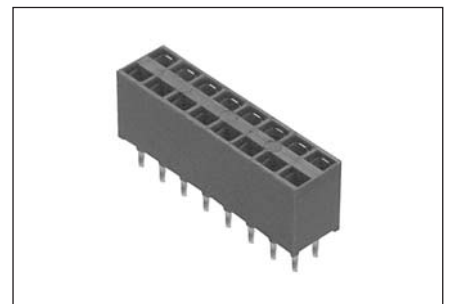
Double Row, Top or Bottom Entry

Specification:

- Housing** - Polyester, glass filled, green
UL 94V-0 rated
- Contacts** - Phosphor bronze, plated as follows:
- Plating A** - Contact Zone 0.8 µm gold over
1.3 µm nickel
- Soldering Zone 2.5 µm tin over
1.3 µm nickel
- Plating B** - 2.5 µm tin

Mating Connectors:

MOD II Pin Headers - Pages 18-19 & 22-23

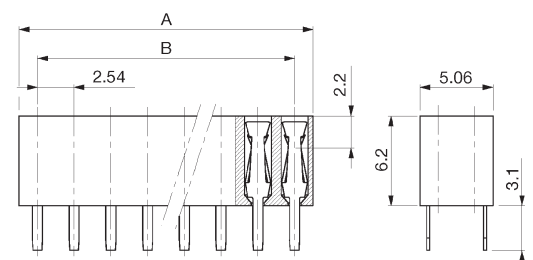


Technical Documents:

Product Specification - 108-19056

No. of Positions	Dimension		Part Number	
	A	B	Plating A	Plating B
2x2	5.08	2.54	215315-2	215316-2
2x3	7.62	5.08	215315-3	215316-3
2x4	10.16	7.62	215315-4	215316-4
2x5	12.70	10.16	215315-5	215316-5
2x6	15.24	12.70	215315-6	215316-6
2x7	17.78	15.24	215315-7	215316-7
2x8	20.32	17.78	215315-8	215316-8
2x9	22.86	20.32	215315-9	215316-9
2x10	25.40	22.86	1-215315-0	1-215316-0
2x20	50.80	48.26	2-215315-0	2-215316-0
2x36	91.44	88.90	3-215315-6	3-215316-6

For part numbers of positions not shown, please combine dash numbers appropriately



HV-100 Receptacles, Vertical PCB Mount

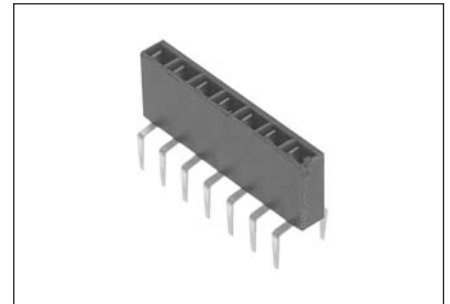
Single Row, Top or Bottom Entry

Specification:

- Housing** - Polyester, glass filled, green
UL 94V-0 rated
- Contacts** - Phosphor bronze, plated as follows:
- Plating A** - Contact Zone 0.8 µm gold over
1.3 µm nickel
- Soldering Zone 2.5 µm tin over
1.3 µm nickel
- Plating B** - 2.5 µm tin

Mating Connectors:

MOD II Pin Headers - Pages 18-19 & 22-23

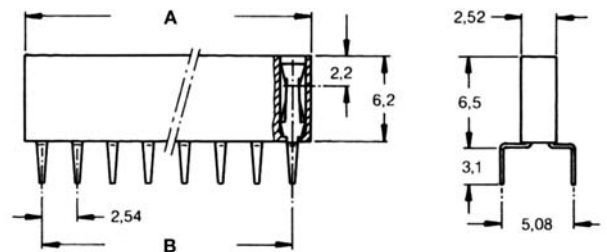


Technical Documents:

Product Specification - 108-19056

No. of Positions	Dimension		Part Number	
	A	B	Plating A	Plating B
2	5.08	2.54	829265-2	829575-2
3	7.62	5.08	829265-3	829575-3
4	10.16	7.62	829265-4	829575-4
5	12.70	10.16	829265-5	829575-5
6	15.24	12.70	829265-6	829575-6
7	17.78	15.24	829265-7	829575-7
8	20.32	17.78	829265-8	829575-8
9	22.86	20.32	829265-9	829575-9
10	25.40	22.86	1-829265-0	1-829575-0
20	50.80	48.26	2-829265-0	2-829575-0
36	91.44	88.90	3-829265-6	3-829575-6

For part numbers of positions not shown, please combine dash numbers appropriately



HV-100 Receptacles, Vertical PCB Mount

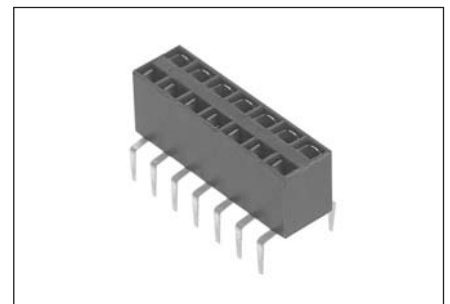
Double Row, Top or Bottom Entry

Specification:

- Housing** - Polyester, glass filled, green
UL 94V-0 rated
- Contacts** - Phosphor bronze, plated as follows:
- Plating A** - Contact Zone 0.8 µm gold over
1.3 µm nickel
- Soldering Zone 2.5 µm tin over
1.3 µm nickel
- Plating B** - 2.5 µm tin

Mating Connectors:

MOD II Pin Headers - Pages 18-19 & 22-23

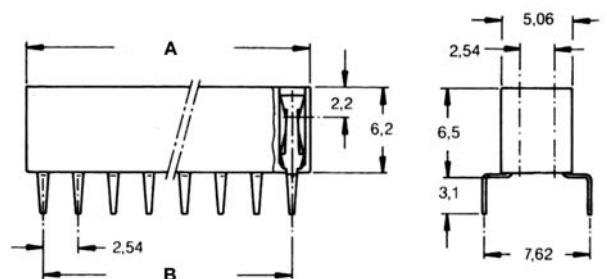


Technical Documents:

Product Specification - 108-19056

No. of Positions	Dimension		Part Number	
	A	B	Plating A	Plating B
2x2	5.08	2.54	829264-2	829576-2
2x3	7.62	5.08	829264-3	829576-3
2x4	10.16	7.62	829264-4	829576-4
2x5	12.70	10.16	829264-5	829576-5
2x6	15.24	12.70	829264-6	829576-6
2x7	17.78	15.24	829264-7	829576-7
2x8	20.32	17.78	829264-8	829576-8
2x9	22.86	20.32	829264-9	829576-9
2x10	25.40	22.86	1-829264-0	1-829576-0
2x20	50.80	48.26	2-829264-0	2-829576-0
2x36	91.44	88.90	3-829264-6	3-829576-6

For part numbers of positions not shown, please combine dash numbers appropriately



HV-100 Surface Mount Receptacles, Vertical PCB Mount

Single Row, Top or Bottom Entry - End Stackable

Specification:

Housing and pick & place cap - Liquid Crystal Polymer (LCP), black, UL 94V-0 rated

Contacts - Phosphor bronze, plated as follows:

Plating A - Contact Zone 0.8 µm gold over
1.3 µm nickel
- Soldering Zone 2.5 µm tin over
1.3 µm nickel

Plating B - 2.5 µm tin

Packaging - Tape and reel

Mating Connectors:

MOD II Pin Headers - Pages 18-19 & 22-23

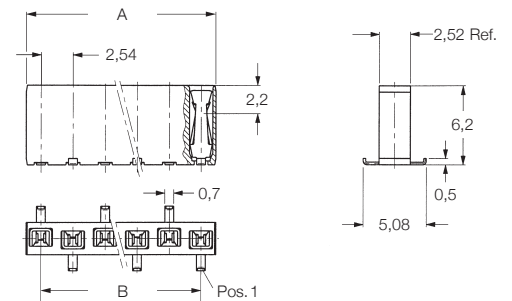


Technical Documents:

Product Specification - 108-19056

No. of Positions	Dimension		Part Number	
	A	B	Plating A	Plating B
3	7.62	5.08	1241152-3	1355344-3
4	10.16	7.62	1241152-4	1355344-4
5	12.70	10.16	1241152-5	1355344-5
6	15.24	12.70	1241152-6	1355344-6
7	17.78	15.24	1241152-7	1355344-7
8	20.32	17.78	1241152-8	1355344-8
9	22.86	20.32	1241152-9	1355344-9
10	25.40	22.86	1-1241152-0	1-1355344-0
11	27.94	25.40	1-1241152-1	1-1355344-1
12	30.48	27.94	1-1241152-2	1-1355344-2

For part numbers of positions not shown, please combine dash numbers appropriately



HV-100 Surface Mount Receptacles, Vertical PCB Mount

Double Row, Top or Bottom Entry - End Stackable

Specification:

Housing and pick & place cap - Liquid Crystal Polymer (LCP), black, UL 94V-0 rated

Contacts - Phosphor bronze, plated as follows:

Plating A - Contact Zone 0.8 µm gold over
1.3 µm nickel
- Soldering Zone 2.5 µm tin over
1.3 µm nickel

Plating B - 2.5 µm tin

Packaging - Tape and reel

Mating Connectors:

MOD II Pin Headers - Pages 18-19 & 22-23

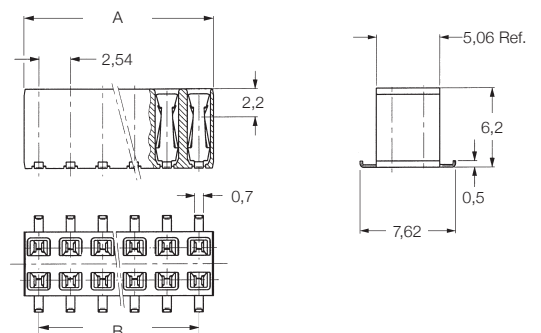


Technical Documents:

Product Specification - 108-19056

No. of Positions	Dimension		Part Number	
	A	B	Plating A	Plating B
2x2	5.08	2.54	969973-2	1355347-2
2x3	7.62	5.08	969973-3	1355347-3
2x4	10.16	7.62	969973-4	1355347-4
2x5	12.70	10.16	969973-5	1355347-5
2x6	15.24	12.70	969973-6	1355347-6
2x7	17.78	15.24	969973-7	1355347-7
2x8	20.32	17.78	969973-8	1355347-8
2x9	22.86	20.32	969973-9	1355347-9
2x10	25.40	22.86	1-969973-0	1-1355347-0
2x20	50.80	48.26	2-969973-0	2-1355347-0

For part numbers of positions not shown, please combine dash numbers appropriately



HV-190 Receptacles, Horizontal PCB Mount

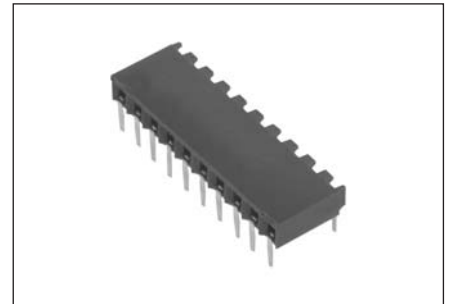
Single Row, Side Entry - End Stackable

Specification:

- Housing** - Polyester, glass filled, green
UL 94V-0 rated
- Contacts** - Phosphor bronze, plated as follows:
- Plating A** - Contact Zone 0.8 µm gold over
1.3 µm nickel
- Soldering Zone 2.5 µm tin over
1.3 µm nickel
- Plating B** - 2.5 µm tin

Mating Connectors:

MOD II Pin Headers - Pages 18-19 & 22-23

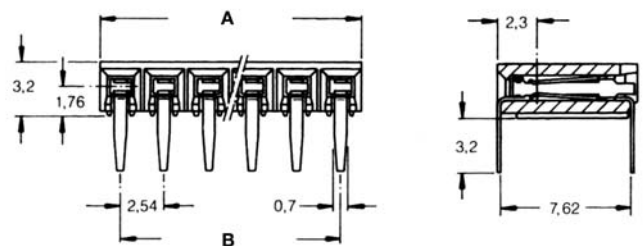


Technical Documents:

Product Specification - 108-19072

No. of Positions	Dimension		Part Number	
	A	B	Plating A	Plating B
2	5.08	2.54	216602-2	216601-2
3	7.62	5.08	216602-3	216601-3
4	10.16	7.62	216602-4	216601-4
5	12.70	10.16	216602-5	216601-5
6	15.24	12.70	216602-6	216601-6
7	17.78	15.24	216602-7	216601-7
8	20.32	17.78	216602-8	216601-8
9	22.86	20.32	216602-9	216601-9
10	25.40	22.86	1-216602-0	1-216601-0
20	50.80	48.26	2-216602-0	2-216601-0
36	91.44	88.90	3-216602-6	3-216601-6

For part numbers of positions not shown, please combine dash numbers appropriately



HV-190 Receptacles, Horizontal PCB Mount

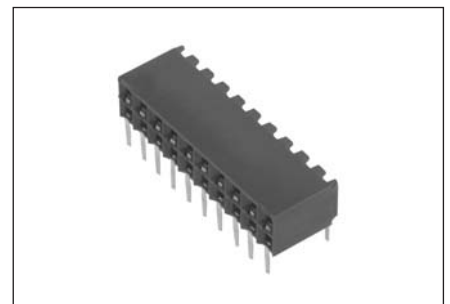
Double Row, Side Entry - End Stackable

Specification:

- Housing** - Polyester, glass filled, green
UL 94V-0 rated
- Contacts** - Phosphor bronze, plated as follows:
- Plating A** - Contact Zone 0.8 µm gold over
1.3 µm nickel
- Soldering Zone 2.5 µm tin over
1.3 µm nickel
- Plating B** - 2.5 µm tin

Mating Connectors:

MOD II Pin Headers - Pages 18-19 & 22-23

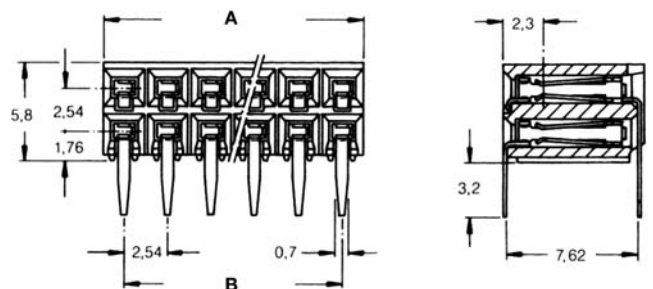


Technical Documents:

Product Specification - 108-19072

No. of Positions	Dimension		Part Number	
	A	B	Plating A	Plating B
2x2	5.08	2.54	216604-2	216603-2
2x3	7.62	5.08	216604-3	216603-3
2x4	10.16	7.62	216604-4	216603-4
2x5	12.70	10.16	216604-5	216603-5
2x6	15.24	12.70	216604-6	216603-6
2x7	17.78	15.24	216604-7	216603-7
2x8	20.32	17.78	216604-8	216603-8
2x9	22.86	20.32	216604-9	216603-9
2x10	25.40	22.86	1-216604-0	1-216603-0
2x20	50.80	48.26	2-216604-0	2-216603-0
2x36	91.44	88.90	3-216604-6	3-216603-6

For part numbers of positions not shown, please combine dash numbers appropriately



MOD II High Temperature Shrouded Headers

Straight, Single Row 0.63mm Round Post

Specification:

- Housing** - Polyester for high operating temp. (PCT), black, glass fibre filled
- Posts** - Phosphor bronze, (Plating A) or brass (Plating B) plated as follows:
- Plating A** - Contact Zone (Area F) 0.1 µm gold over 0.7 µm palladium alloy, over 1.3 µm nickel
- Soldering Zone 2 µm min. tin over 1.3 µm nickel
- Plating B** - 2 µm min. tin over 1.3 µm nickel

Mating Connectors:

MOD IV Receptacle Housings - Page 32

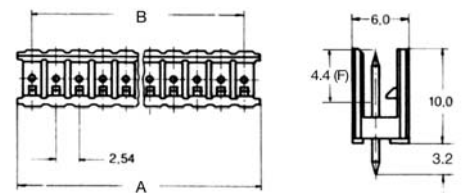


Technical Documents:

Product Specification - 108-18012

No. of Positions	Dimension		Part Number	
	A	B	Plating A	Plating B
3	7.62	5.08	826467-3	827295-3
4	10.16	7.62	826467-4	827295-4
5	12.70	10.16	826467-5	827295-5
6	15.24	12.70	826467-6	827295-6
7	17.78	15.24	826467-7	827295-7
8	20.32	17.78	826467-8	827295-8
9	22.86	20.32	826467-9	827295-9
10	25.40	22.86	1-826467-0	1-827295-0
20	50.80	48.26	2-826467-0	2-827295-0
50	127.00	124.46	5-826467-0	5-827295-0

For part numbers of positions not shown, please combine dash numbers appropriately



MOD II High Temperature Shrouded Headers

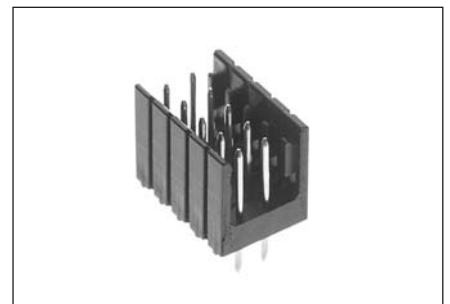
Straight, Double Row 0.63mm Round Post

Specification:

- Housing** - Polyester for high operating temp. (PCT), black, glass fibre filled
- Posts** - Phosphor bronze, (Plating A) or brass (Plating B) plated as follows:
- Plating A** - Contact Zone (Area F) 0.1 µm gold over 0.7 µm palladium alloy, over 1.3 µm nickel
- Soldering Zone 2 µm min. tin over 1.3 µm nickel
- Plating B** - 2 µm min. tin over 1.3 µm nickel

Mating Connectors:

MOD IV Receptacle Housings - Page 32

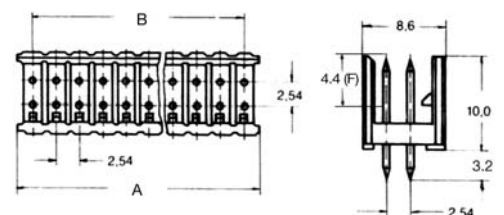


Technical Documents:

Product Specification - 108-18012

No. of Positions	Dimension		Part Number	
	A	B	Plating A	Plating B
2x3	7.62	5.08	826469-3	827297-3
2x4	10.16	7.62	826469-4	827297-4
2x5	12.70	10.16	826469-5	827297-5
2x6	15.24	12.70	826469-6	827297-6
2x7	17.78	15.24	826469-7	827297-7
2x8	20.32	17.78	826469-8	827297-8
2x9	22.86	20.32	826469-9	827297-9
2x10	25.40	22.86	1-826469-0	1-827297-0
2x20	50.80	48.26	2-826469-0	2-827297-0
2x50	127.00	124.46	5-826469-0	5-827297-0

For part numbers of positions not shown, please combine dash numbers appropriately



MOD II High Temperature Shrouded Headers

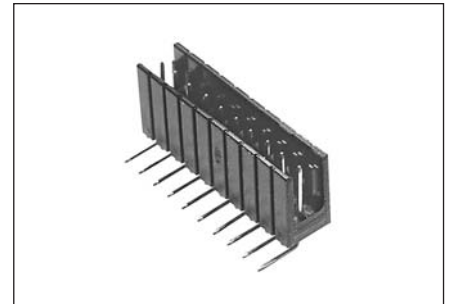
Right Angle, Single Row 0.63mm Round Post

Specification:

- Housing** - Polyester for high operating temp. (PCT), black, glass fibre filled
- Posts** - Phosphor bronze, (Plating A) or brass (Plating B) plated as follows:
- Plating A** - Contact Zone (Area F) 0.1 µm gold over 0.7 µm palladium alloy, over 1.3 µm nickel
- Soldering Zone 2 µm min. tin over 1.3 µm nickel
- Plating B** - 2 µm min. tin over 1.3 µm nickel

Mating Connectors:

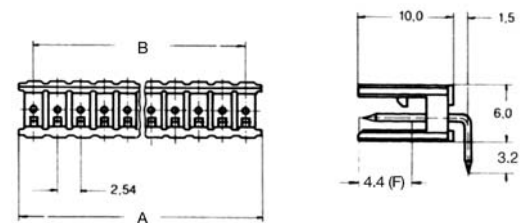
MOD IV Receptacle Housings - Page 32



Technical Documents:

Product Specification - 108-18012

No. of Positions	Dimension		Part Number	
	A	B	Plating A	Plating B
3	7.62	5.08	826468-3	827296-3
4	10.16	7.62	826468-4	827296-4
5	12.70	10.16	826468-5	827296-5
6	15.24	12.70	826468-6	827296-6
7	17.78	15.24	826468-7	827296-7
8	20.32	17.78	826468-8	827296-8
9	22.86	20.32	826468-9	827296-9
10	25.40	22.86	1-826468-0	1-827296-0
20	50.80	48.26	2-826468-0	2-827296-0
50	127.00	124.46	5-826468-0	5-827296-0



For part numbers of positions not shown, please combine dash numbers appropriately

MOD II High Temperature Shrouded Headers

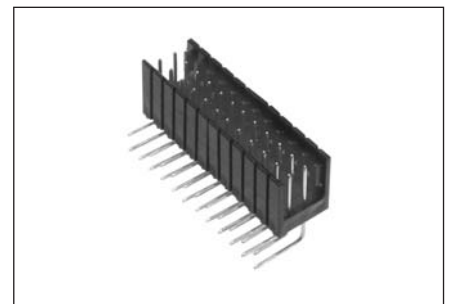
Right Angle, Double Row 0.63mm Round Post

Specification:

- Housing** - Polyester for high operating temp. (PCT), black, glass fibre filled
- Posts** - Phosphor bronze, (Plating A) or brass (Plating B) plated as follows:
- Plating A** - Contact Zone (Area F) 0.1 µm gold over 0.7 µm palladium alloy, over 1.3 µm nickel
- Soldering Zone 2 µm min. tin over 1.3 µm nickel
- Plating B** - 2 µm min. tin over 1.3 µm nickel

Mating Connectors:

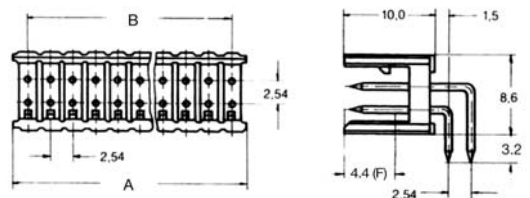
MOD IV Receptacle Housings - Page 32



Technical Documents:

Product Specification - 108-18012

No. of Positions	Dimension		Part Number	
	A	B	Plating A	Plating B
2x3	7.62	5.08	826470-3	827298-3
2x4	10.16	7.62	826470-4	827298-4
2x5	12.70	10.16	826470-5	827298-5
2x6	15.24	12.70	826470-6	827298-6
2x7	17.78	15.24	826470-7	827298-7
2x8	20.32	17.78	826470-8	827298-8
2x9	22.86	20.32	826470-9	827298-9
2x10	25.40	22.86	1-826470-0	1-827298-0
2x20	50.80	48.26	2-826470-0	2-827298-0
2x50	127.00	124.46	5-826470-0	5-827298-0



For part numbers of positions not shown, please combine dash numbers appropriately

MOD IV Receptacle Housings

Single Row

Specification:

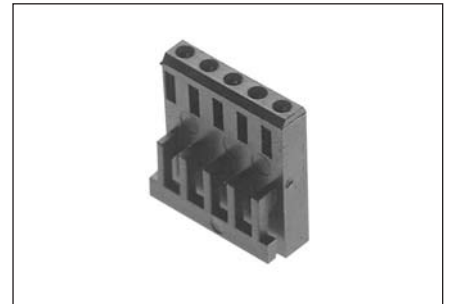
Housing - Polyester (PBT) black, glass fibre filled

Mating Connectors:

MOD II High Temp Shrouded Headers - Pages 30-31

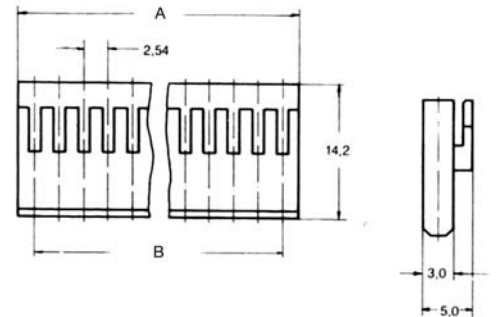
Technical Documents:

Product Specification - 108-25007
 - 108-25020
 - 108-25021
 Application Specification - 114-25003



No. of Positions	Dimension		Part Number
	A	B	
3	7.62	5.08	926475-3
4	10.16	7.62	926475-4
5	12.70	10.16	926475-5
6	15.24	12.70	926475-6
7	17.78	15.24	926475-7
8	20.32	17.78	926475-8
9	22.86	20.32	926475-9
10	25.40	22.86	1-926475-0
20	50.80	48.26	2-926475-0
36	91.44	88.90	3-926475-6

For part numbers of positions not shown, please combine dash numbers appropriately



MOD IV Receptacle Housings

Double Row

Specification:

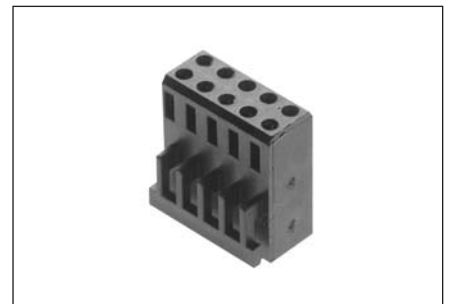
Housing - Polyester (PBT) black, glass fibre filled

Mating Connectors:

MOD II High Temp Shrouded Headers - Pages 30-31

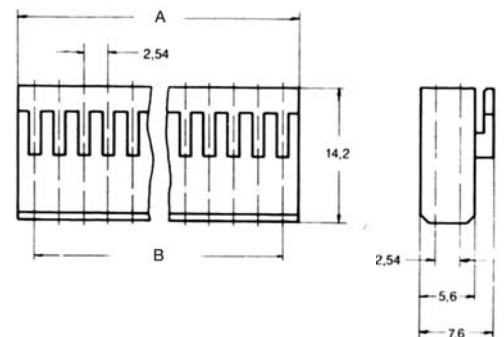
Technical Documents:

Product Specification - 108-25007
 - 108-25020
 - 108-25021
 Application Specification - 114-25003



No. of Positions	Dimension		Part Number
	A	B	
2x3	7.62	5.08	926476-3
2x4	10.16	7.62	926476-4
2x5	12.70	10.16	926476-5
2x6	15.24	12.70	926476-6
2x7	17.78	15.24	926476-7
2x8	20.32	17.78	926476-8
2x9	22.86	20.32	926476-9
2x10	25.40	22.86	1-926476-0
2x20	50.80	48.26	2-926476-0
2x36	91.44	88.90	3-926476-6

For part numbers of positions not shown, please combine dash numbers appropriately



MOD IV Accessories

Specification:

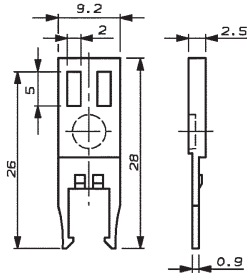
Retention Plugs - Polycarbonate, glass fibre filled

Keying Plug - Polyamide 6.6 glass fibre filled

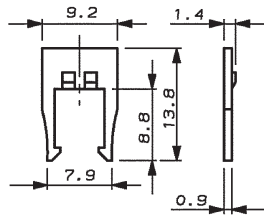
For use with:

MOD IV Receptacle Housings - Page 32

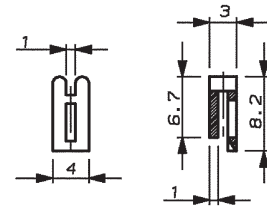
**Retention Plug
with Strain Relief**



**Retention Plug
without Strain Relief**



**Keying
Plug**



Colour	Part Number		
	Retention Plug with Strain Relief	Retention Plug without Strain Relief	Keying Plug
Black	926478-1	926477-1	926498-1
Green	926478-2	926477-2	926498-2
Red	926478-3	926477-3	926498-3

MOD IV Receptacle Housings

Single Row, with and without Strain Relief

Specification:

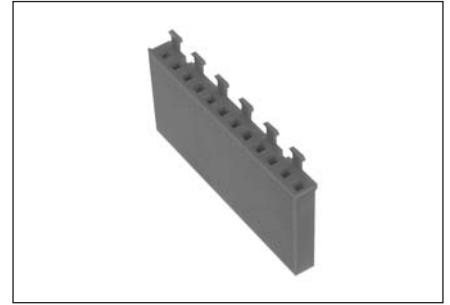
Housing - Green polyamide,
6.6 UL 94V-HB rated

Technical Documents:

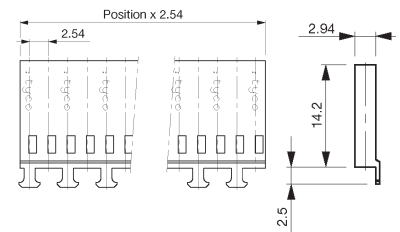
Product Specification - 108-25007
- 108-25020
- 108-25021
Application Specification - 114-25003

Mating Connectors:

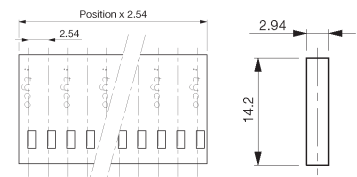
With strain relief -
MOD II Pin Headers - Pages 20-21
Without strain relief -
MOD II Pin Headers - Pages 18-19 & 22-23



with Strain Relief



without Strain Relief



No. of Positions	Part Number	
	With Strain Relief	Without Strain Relief
2	925369-2	925366-2
3	925369-3	925366-3
4	925369-4	925366-4
5	925369-5	925366-5
6	925369-6	925366-6
7	925369-7	925366-7
8	925369-8	925366-8
9	925369-9	925366-9
10	1-925369-0	1-925366-0
20	2-925369-0	2-925366-0
50	5-925369-0	5-925366-0

For part numbers of positions not shown, please combine dash numbers appropriately

Keying Plug - Green	926519-2
Keying Plug - Red	1-926519-2

MOD IV Receptacle Housings

Double Row, with and without Strain Relief

Specification:

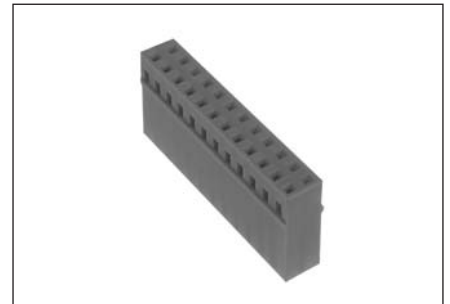
Housing - Green polyamide,
6.6 UL 94V-HB rated

Technical Documents:

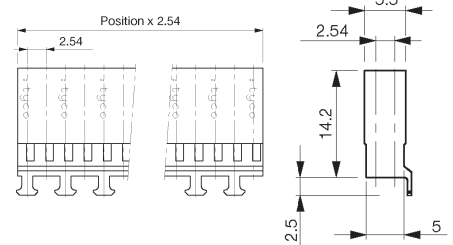
Product Specification - 108-25007
- 108-25020
- 108-25021
Application Specification - 114-25003

Mating Connectors:

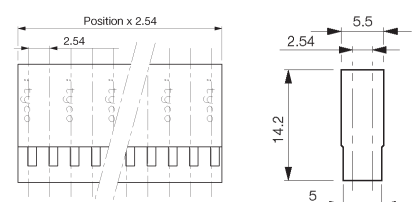
With strain relief -
MOD II Pin Headers - Pages 20-21
Without strain relief -
MOD II Pin Headers - Pages 18-19 & 22-23



with Strain Relief



without Strain Relief



No. of Positions	Part Number	
	With Strain Relief	Without Strain Relief
2x2	925370-2	925367-2
2x3	925370-3	925367-3
2x4	925370-4	925367-4
2x5	925370-5	925367-5
2x6	925370-6	925367-6
2x7	925370-7	925367-7
2x8	925370-8	925367-8
2x9	925370-9	925367-9
2x10	1-925370-0	1-925367-0
2x20	2-925370-0	2-925367-0
2x50	5-925370-0	5-925367-0

For part numbers of positions not shown, please combine dash numbers appropriately

Keying Plug - Green	926519-2
Keying Plug - Red	1-926519-2

MOD IV/V Crimp Snap-In Receptacle Contacts

with Insulation Support

Specification:

- Material** - Phosphor bronze, plated as follows:
- Plating A** - Selectively plated 0.8 µm gold on contact area, gold flash on crimp area, with entire contact underplated 1.3 µm nickel
- Plating B** - Selectively plated 0.8 µm gold on contact area, with gold flash over 1.3 µm nickel on entire contact
- Plating C** - Selectively plated 0.8 µm gold on contact area, tin plated on crimp area, with entire contact underplated 1.3 µm nickel
- Plating D** - Plated 2 µm tin

For use with:

MOD IV Receptacle Housings - Pages 32 & 34



Technical Documents:

- Product Specification - 108-25020
MOD IV Standard Contact Pressure
- 108-25021
MOD IV Intermediate Contact Pressure
- 108-25007
MOD V High Contact Pressure

Related Products:

Extraction Tool - 843473-1

Application Specification - 114-25003

MOD IV Receptacle Contacts with Standard Contact Pressure

Wire Size Range mm ²	AWG	Insulation Diameter (Max) mm	Version	Part Number	
				Plating A	Plating B
0.032-0.09	32-28	1.2	Reel	167020-1	167020-2
			Loose Piece	167023-1	167023-2
0.2-0.56	24-20	1.4	Reel	167300-8	167300-6
			Loose Piece	141603-4	141603-3

* Consult Tyco Electronics for this wire size range

MOD IV Receptacle Contacts with Intermediate Contact Pressure

Wire Size Range mm ²	AWG	Insulation Diameter (Max) mm	Version	Plating A	Part Number	Plating D
					Plating B	
0.032-0.09	32-28	1.2	Reel	167021-1	167021-2	167021-3
			Loose Piece	167024-1	167024-2	167024-3
0.2-0.56	24-20	1.4	Reel	2-167301-4	167301-4	2-167301-2
			Loose Piece	1-141708-2	141708-1	1-141708-1

* Consult Tyco Electronics for this wire size range

MOD V Receptacle Contacts with High Contact Pressure

Wire Size Range mm ²	AWG	Insulation Diameter (Max) mm	Version	Plating B	Part Number	Plating D
					Plating C	
0.032-0.09	32-28	1.2	Reel	167022-2	167022-1	167022-3
			Loose Piece	167025-2	167025-1	167025-3
0.2-0.56	24-20	1.4	Reel	166309-2	-	166309-3
			Loose Piece	166310-2	-	166310-3

* Consult Tyco Electronics for this wire size range

For application tooling please see page 49

MOD II PCB Mount Receptacle Contacts

Specification:

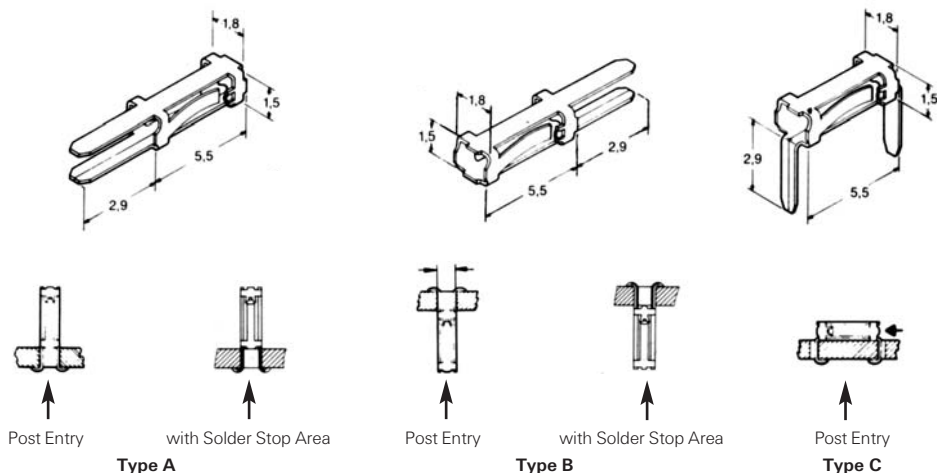
Material - Phosphor bronze

Mating Connectors:

MOD II Pin Headers - Pages 18-19 & 22-23

Technical Documents:

Application Specification - 114-25004



Type A		Part Number Type B		Type C		Plating (Contact Zone)
On Reel	Loose Piece	On Reel	Loose Piece	On Reel	Loose Piece	
85861-3	-	-	-	5-85863-3	5-85866-3	Galvanised tin plated
167651-1	-	167652-1	-	-	-	Tin plated with solder stop area
85861-4	-	-	85865-4	5-85863-4	5-85866-4	0.8 µm Au over 1.3 µm Ni
-	-	-	-	141579-2	141579-4	Duplex 0.8 µm Au over 1.3 µm Ni*

* In the duplex gold plated version, the rest of the receptacle is nickel plated, the solder tabs are tin plated

Keying Plug	86286-1
-------------	---------

MOD IV Shunt Connectors

Specification:

Housing - Thermoplastic Polyester
UL 94V-0 rated

Contact - Beryllium Copper

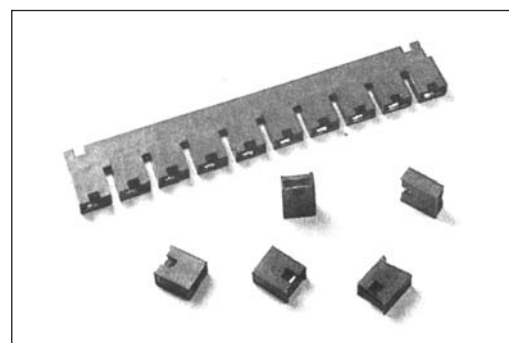
Plating A - 0.4 µm gold over 1.3 µm nickel

Plating B - 1 µm gold over 1.3 µm nickel

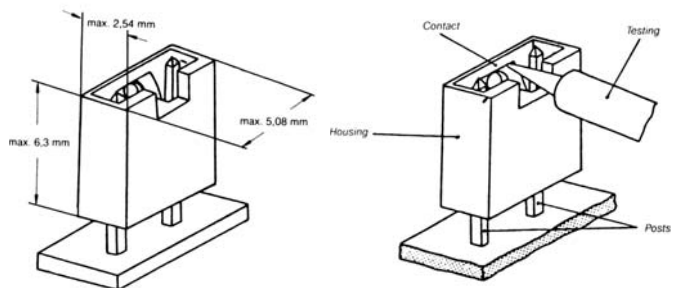
Plating C - 2.5 µm tin

For use with:

MOD II Pin Headers -
Pages 18-19 & 22-23



	Part Number Plating A Green	Part Number Plating B Green	Part Number Plating C Black
Strip Form	142270-1	142270-5	142270-3
Loose Piece	827914-1	-	827914-3

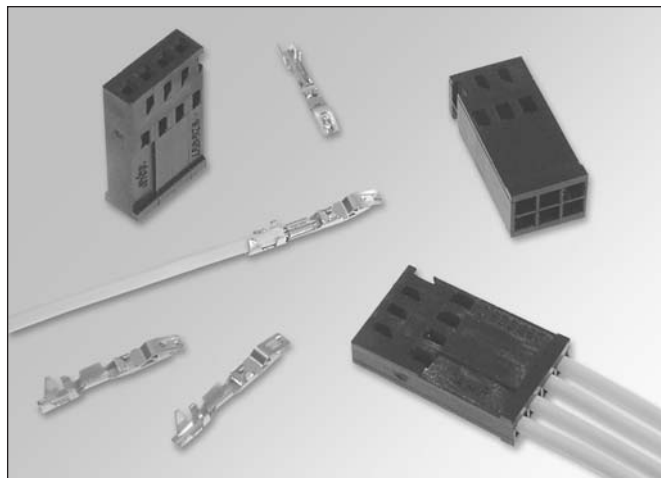


Product Facts

- Self retaining contact system
- Rapid installation
- Connection to 0.63 x 0.63 or 0.79 x 1.57mm posts
- Flame retardant thermoplastic housings are UL 94V-0 rated
- Tin or gold plated contacts

Specification:

- Current Rating** - 3 A (0.63 x 0.63mm posts)
 5 A (0.79 x 1.57mm posts)
- Operating Temperature** - -65 to +105°C (gold plating)
 -65 to +85°C (tin plating)
- Contact Resistance** - 12mΩ max (gold plating)
 16mΩ max (tin plating)
- Insulation Resistance** - 5000 MΩ min



Locking clip connectors provide reliable and secure low cost connection for a variety of applications. Designed to mate with 0.63mm x 0.63mm or 0.79mm x 1.57mm header posts, these connectors provide permanent connection integrity with quick connect/disconnect flexibility. Their self-retaining contacts allow rapid installation without the need for additional fastening to hold contacts and/or connector housings in place. When installed, locking clip connectors are positively locked and cannot be detached by pulling on the wires. Removal of a connector is however simply achieved by pulling directly on the housing, deflecting the contact springs within the connector and releasing the posts. For non-housed individual contacts, disconnection is achieved through the use of an inexpensive extraction tool.

Locking Clip Receptacle Housings

Available in single and double row variants, housings accept the range of locking clip contacts for secure connection of multiple circuits. Stackable open ended housings permit a number of connectors to be placed side by side without loss of pitch.

Locking Clip Receptacle Contacts

Suitable for installation into Locking Clip housings or for individual wire connection, crimp snap-in contacts are offered for wire size ranges 20-30 AWG (0.05mm² to 0.56mm²) and with a choice of gold or tin plating. Contacts provide lasting high contact to post retention and are available in both loose piece, and reeled format for efficient volume production.

Locking Clip Receptacle Housings

Single Row, for 0.63mm Square Posts

Specification:

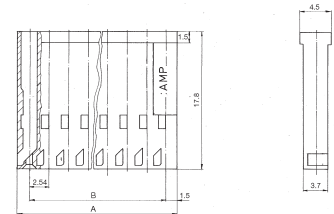
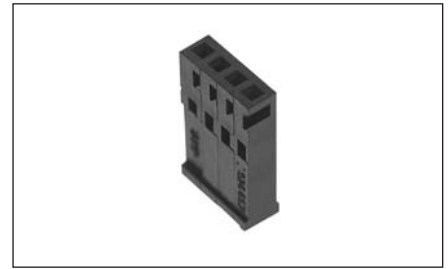
Housing - Thermoplastic Polyester GV,
Black, UL 94V-0 Rated

Mating Connectors:

MOD II Pin Headers - Pages 18-19 & 22-23

Technical Documents:

Product Specification - 108-36028 & 108-36028-1
Application Specification - 114-25006



Both Ends Closed Housings

No. of Cavities	Dimension		Part Number
	A	B	
1	2.9	-	926010-1
2	5.5	2.54	926657-2
3	8.1	5.08	926657-3
4	10.6	7.62	926657-4
5	13.2	10.16	926657-5
6	15.7	12.70	926657-6
7	18.3	15.24	926657-7
8	20.8	17.78	926657-8
9	23.3	20.32	926657-9
10	25.9	22.86	1-926657-0

Keying Plug	926329-1
-------------	----------

Stackable Side Open Housings

No. of Cavities	Dimension B	Part Number
-	-	-
2	2.54	5-926657-2
3	5.08	5-926657-3
4	7.62	5-926657-4
5	10.16	5-926657-5
6	12.70	5-926657-6
7	15.24	5-926657-7
8	17.78	5-926657-8
9	20.32	5-926657-9
10	22.86	6-926657-0

Keying Plug	926329-1
-------------	----------

Locking Clip Receptacle Housings

Double Row, for 0.63mm Square Posts

Specification:

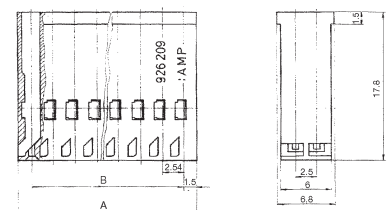
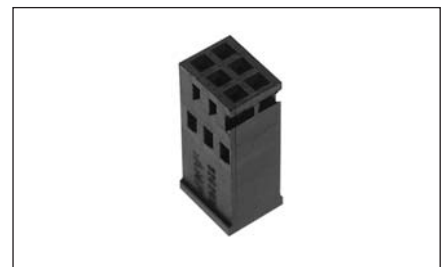
Housing - Thermoplastic Polyester GV,
Black, UL 94V-0 Rated

Mating Connectors:

MOD II Pin Headers - Pages 18-19 & 22-23

Technical Documents:

Product Specification - 108-36028 & 108-36028-1
Application Specification - 114-25006



Both Ends Closed Housings

No. of Cavities	Dimension		Part Number
	A	B	
2x2	5.5	2.54	926209-2
2x3	8.1	5.08	926209-3
2x4	10.6	7.62	926209-4
2x5	13.2	10.16	926209-5
2x6	15.7	12.70	926209-6
2x7	18.3	15.24	926209-7
2x8	20.8	17.78	926209-8
2x9	23.3	20.32	926209-9
2x10	25.9	22.86	1-926209-0

Keying Plug	926329-1
-------------	----------

Stackable Side Open Housings

No. of Cavities	Dimension B	Part Number
2x2	2.54	5-926209-2
2x3	5.08	5-926209-3
2x4	7.62	5-926209-4
2x5	10.16	5-926209-5
2x6	12.70	5-926209-6
2x7	15.24	5-926209-7
2x8	17.78	5-926209-8
2x9	20.32	5-926209-9
2x10	22.86	6-926209-0

Keying Plug	926329-1
-------------	----------

Locking Clip Crimp Snap-In Receptacle Contacts
for 0.63mm Square Posts

Specification:

- Material** - Phosphor bronze
- Spring** - Stainless steel
- Plating A** - Selectively plated 0,8 µm gold on contact area, with gold flash over 1,3 µm nickel on entire contact
- Plating B** - 2,5 µm tin over 1,3 µm nickel on entire contact

For use with:

Locking Clip Receptacle Housings - Page 38

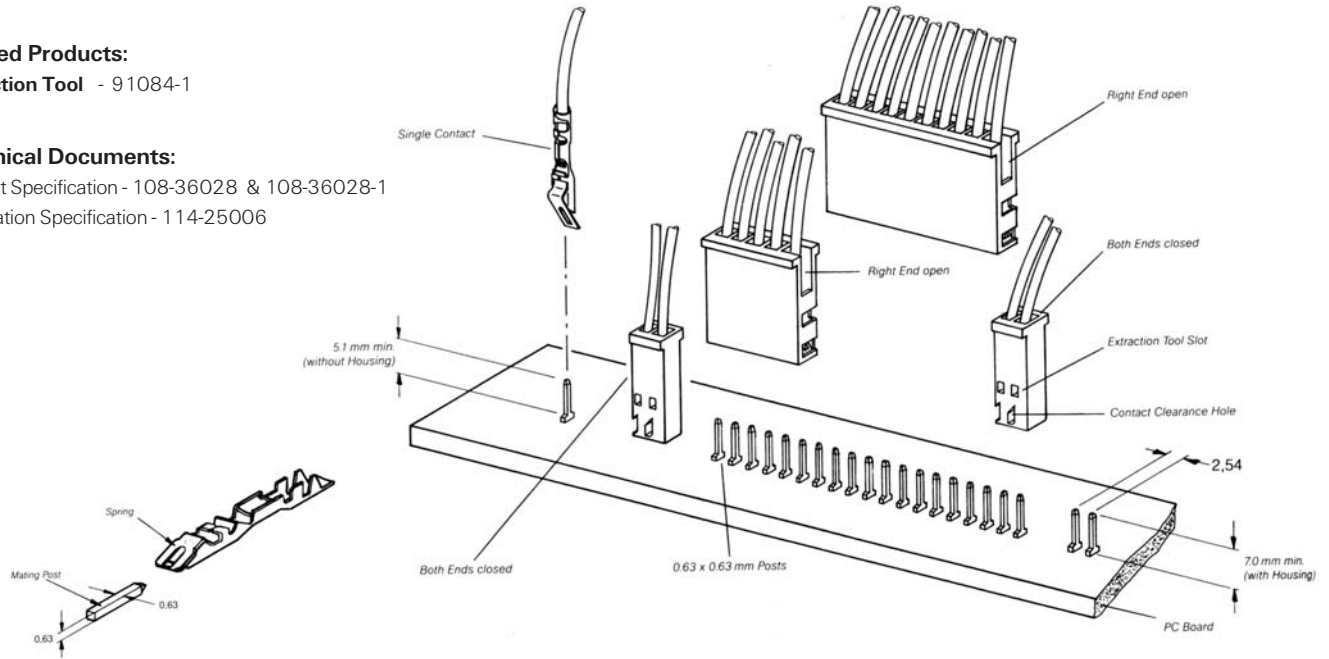


Related Products:

Extraction Tool - 91084-1

Technical Documents:

Product Specification - 108-36028 & 108-36028-1
Application Specification - 114-25006



Wire Size Range mm ²	AWG	Insulation Diameter mm	Finish	Part Number	
				On Reel	Loose Piece
0.05-0.09	30-28	0.7-1.0	Plating A	87190-1	87191-1
			Plating B	5-87190-2	5-87191-2
0.12-0.40	26-22	1.0-1.6	Plating A	87124-1	87165-1
			Plating B	5-87124-2	5-87165-2
0.5-0.6	20	1.0-1.6	Plating A	867052-2	-
			Plating B	5-867052-1	-

For application tooling please see page 49

Locking Clip Receptacle Housings

Single Row, for 0.79 x 1.57mm Posts

Specification:

Housing - Polyamide GV, Black,
UL 94V-0 Rated

Mating Connectors:

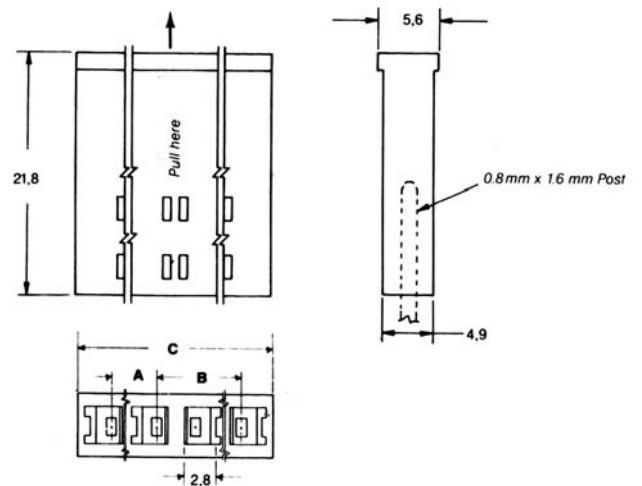
MODI Unshrouded Headers - Page 9



Technical Documents:

Product Specification - 108-36029
Application Specification - 114-25008

No. of Positions	Dimension			Part Number
	A	B	C	
1	-	-	5.08	87270-1
2	-	-	9.55	87270-2
3	3.96	3.96	13.51	1-87270-3
4	3.96	7.92	17.48	87270-4
5	7.92	7.92	21.44	1-87270-4
6	7.92	11.90	25.40	87270-5
7	11.90	11.90	29.36	1-87270-5
8	11.90	15.84	33.32	87270-6
9	15.84	15.84	37.28	1-87270-6
10	15.84	19.81	41.24	87270-7



Locking Clip Crimp Snap-In Receptacle Contacts

for 0.79 x 1.57mm Posts

Specification:

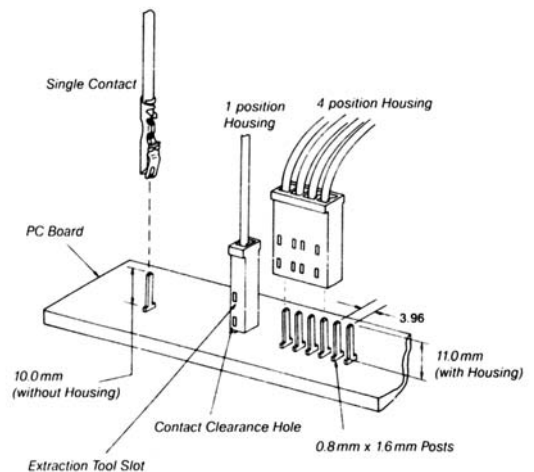
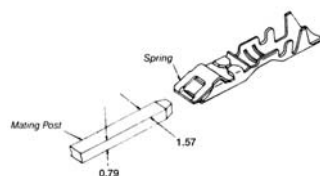
Material - Phosphor bronze
Spring - Stainless steel
Plating A - Selectively plated 0.4 µm gold on contact area, with gold flash over 1.3 µm nickel on entire contact
Plating B - 2.5 µm tin over 1.3 µm nickel on entire contact

Related Products:

Extraction Tool - 91104-1

Technical Documents:

Product Specification - 108-36029
Application Specification - 114-25008



Wire Size Range mm ²	AWG	Insulation Diameter mm	Finish	Part Number	
				On Reel	Loose Piece
0.3-0.9	22-18	1.3-2.5	Plating A	87269-2	87278-2
			Plating B	5-87269-1	5-87278-1

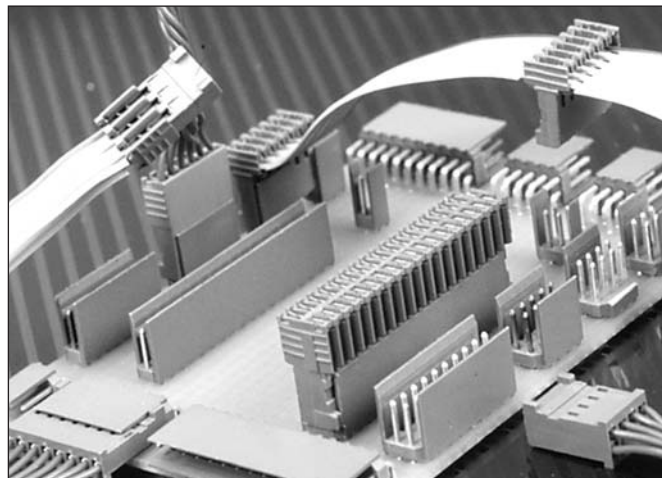
For application tooling please see page 49

Product Facts

- Receptacle assemblies preloaded with Insulation Displacement Contacts (IDC) to terminate discrete wires or 2.54mm centreline ribbon cable
- Receptacle housings accept crimp snap-in contacts to terminate discrete wires
- Headers provided for straight or right-angle mounting to be soldered onto 1.6mm printed circuit boards
- Protective header shrouds feature an integrated detent latching device
- Compliant to the CEI IEC 603-8 International Standard

Specification:

Current Rating	- 3 A max at 20°C
Contact Resistance	- 20 mΩ max (HE 13) - 30 mΩ max (HE 14)
Dielectric Withstanding Voltage	- 1000 V rms (HE 13) - 500 V rms (HE 14)
Insulation Resistance	- 5000 MΩ (HE 13) - 1000 MΩ (HE 14)
Operating Temperature	- -55°C to +125°C (HE 13) - -40°C to +100°C (HE 14)
Durability	- 400 cycles (HE 13) - 30 cycles (HE 14)
Insertion/Withdrawal Force	- 1.5 N max per contact + latching force (HE 13) - 3 N max per contact + latching force (HE 14)



A multi-contact connector range designed to reliably meet today's interconnection requirements for signal transmission in a variety of computer, telecommunications and industrial applications.

Complying fully with the CEI IEC 603-8 international standard, this wire-to-board interconnection system is composed of IDC receptacle assemblies for discrete wires or ribbon cable, receptacle housings for crimp snap-in receptacle contacts, and vertical or right-angle shrouded and polarised board-mount headers.

All products are available with a choice of gold (HE 13) or tin (HE 14) plating finishes.

IDC Receptacle Assemblies

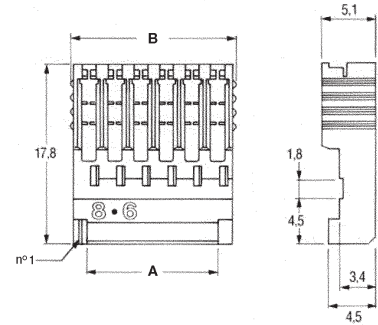
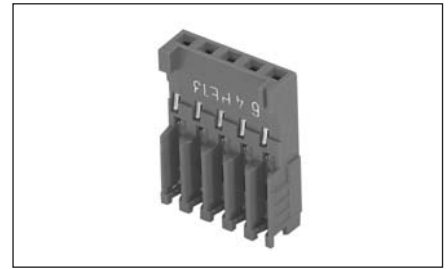
Straight Single Row

Specification:

- Housing** - Blue flame retardant glass filled polyester, UL 94V-0 rated
- Contacts** - Phosphor bronze, plated as follows:
- HE 13** - Selectively plated 0.4 µm gold on contact area, 0.8 µm tin min on termination area with entire contact underplated 1.3 µm nickel
- HE 14** - Plated 1 µm min. tin

Mating Connectors:

HE 13 / HE 14 Shrouded Headers - Pages 44-45



Technical Documents:

Product Specification - 108-15053
Application Specification - 114-15031

No. of Positions	Dimension		Part Number - HE 13		Part Number - HE 14	
	A	B	28-26 AWG Loose Piece	26-24 AWG Loose Piece	28-26 AWG Loose Piece	26-24 AWG Loose Piece
2	2.54	5.88	281787-2	281784-2	281786-2	281783-2
3	5.08	8.42	281787-3	281784-3	281786-3	281783-3
4	7.62	10.96	281787-4	281784-4	281786-4	281783-4
5	10.16	13.50	281787-5	281784-5	281786-5	281783-5
6	12.70	16.04	281787-6	281784-6	281786-6	281783-6
8	17.78	21.12	281787-8	281784-8	281786-8	281783-8
10	22.86	26.20	1-281787-0	1-281784-0	1-281786-0	1-281783-0
12	27.94	31.28	1-281787-2	1-281784-2	1-281786-2	1-281783-2
15	35.56	38.90	1-281787-5	1-281784-5	1-281786-5	1-281783-5
18	43.18	46.52	1-281787-8	1-281784-8	1-281786-8	1-281783-8

IDC Receptacle Assemblies

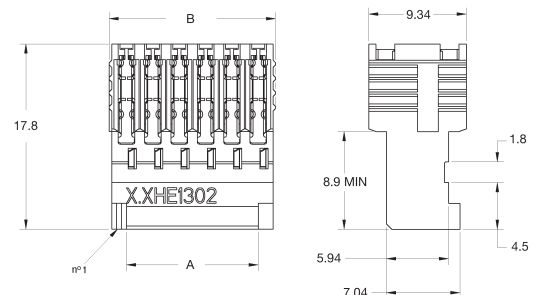
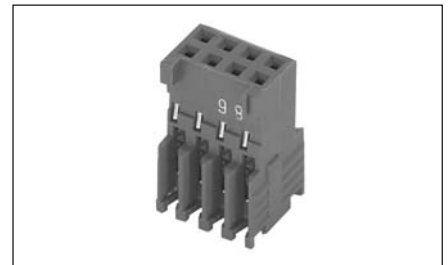
Straight Double Row

Specification:

- Housing** - Blue flame retardant glass filled polyester, UL 94V-0 rated
- Contacts** - Phosphor bronze, plated as follows:
- HE 13** - Selectively plated 0.4 µm gold on contact area, 0.8 µm tin min on termination area with entire contact underplated 1.3 µm nickel
- HE 14** - Plated 1 µm min. tin

Mating Connectors:

HE 13 / HE 14 Shrouded Headers - Pages 44-45



Technical Documents:

Product Specification - 108-15053
Application Specification - 114-15031

No. of Positions	Dimension		Part Number - HE 13		Part Number - HE 14	
	A	B	28-26 AWG Loose Piece	26-24 AWG Loose Piece	28-26 AWG Loose Piece	26-24 AWG Loose Piece
2x2	2.54	5.88	281793-2	281790-2	281792-2	281789-2
2x3	5.08	8.42	281793-3	281790-3	281792-3	281789-3
2x4	7.62	10.96	281793-4	281790-4	281792-4	281789-4
2x5	10.16	13.50	281793-5	281790-5	281792-5	281789-5
2x6	12.70	16.04	281793-6	281790-6	281792-6	281789-6
2x8	17.78	21.12	281793-8	281790-8	281792-8	281789-8
2x10	22.86	26.20	1-281793-0	1-281790-0	1-281792-0	1-281789-0
2x12	27.94	31.28	1-281793-2	1-281790-2	1-281792-2	1-281789-2
2x15	35.56	38.90	1-281793-5	1-281790-5	1-281792-5	1-281789-5
2x18	43.18	46.52	1-281793-8	1-281790-8	1-281792-8	1-281789-8

IDC Receptacle Assemblies

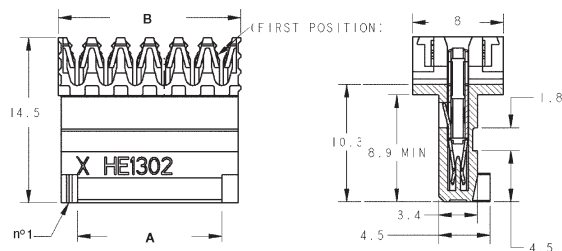
Right Angle Single Row

Specification:

- Housing** - Blue flame retardant glass filled polyester, UL 94V-0 rated
- Contacts** - Phosphor bronze, plated as follows:
- HE 13** - Selectively plated 0.4 µm gold on contact area, 0.8 µm tin min on termination area with entire contact underplated 1.3 µm nickel
- HE 14** - Plated 1 µm min. tin

Mating Connectors:

HE 13 / HE 14 Shrouded Headers - Pages 44-45



Technical Documents:

- Product Specification - 108-15053
 Application Specification - 114-15030

HE 13

No. of Positions	Dimension		Part Number 26 AWG		Part Number 24 AWG	
	A	B	Tube	Loose Piece	Tube	Loose Piece
2	2.54	5.88	281712-2	144274-2	281709-2	144273-2
3	5.08	8.42	281712-3	144274-3	281709-3	144273-3
4	7.62	10.96	281712-4	144274-4	281709-4	144273-4
5	10.16	13.50	281712-5	144274-5	281709-5	144273-5
6	12.70	16.04	281712-6	144274-6	281709-6	144273-6
7	15.24	18.58	281712-7	144274-7	281709-7	144273-7
8	17.78	21.12	281712-8	144274-8	281709-8	144273-8
10	22.86	26.20	1-281712-0	1-144274-0	1-281709-0	1-144273-0
12	27.94	31.28	1-281712-2	1-144274-2	1-281709-2	1-144273-2
15	35.56	38.90	1-281712-5	1-144274-5	1-281709-5	1-144273-5
18	43.18	46.52	1-281712-8	1-144274-8	1-281709-8	1-144273-8

Receptacles for 28 AWG wire available on request

HE 14

No. of Positions	Dimension		Part Number 26 AWG		Part Number 24 AWG	
	A	B	Tube	Loose Piece	Tube	Loose Piece
2	2.54	5.88	281711-2	144271-2	281708-2	144270-2
3	5.08	8.42	281711-3	144271-3	281708-3	144270-3
4	7.62	10.96	281711-4	144271-4	281708-4	144270-4
5	10.16	13.50	281711-5	144271-5	281708-5	144270-5
6	12.70	16.04	281711-6	144271-6	281708-6	144270-6
7	15.24	18.58	281711-7	144271-7	281708-7	144270-7
8	17.78	21.12	281711-8	144271-8	281708-8	144270-8
10	22.86	26.20	1-281711-0	1-144271-0	1-281708-0	1-144270-0
12	27.94	31.28	1-281711-2	1-144271-2	1-281708-2	1-144270-2
15	35.56	38.90	1-281711-5	1-144271-5	1-281708-5	1-144270-5
18	43.18	46.52	1-281711-8	1-144271-8	1-281708-8	1-144270-8

Receptacles for 28 AWG wire available on request

Shrouded Headers

Straight 0.63mm Square Post

Specification:

Housing

- Blue flame retardant high temperature nylon, UL 94V-0 rated

Posts

- Phosphor bronze, plated as follows:

HE 13

- Selectively plated 0.4 µm gold on contact area, gold flash on insertion area, 2.5 µm tin min on solder tail with entire post underplated 1.3 µm nickel

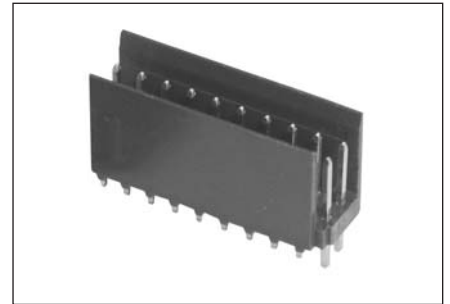
HE 14

- Tin plated min. 2.5 µm on solder area, with entire post tin plated 0.8 µm over 0.8 µm nickel

Mating Connectors:

HE 13 / HE 14 IDC Receptacles - Pages 42-43

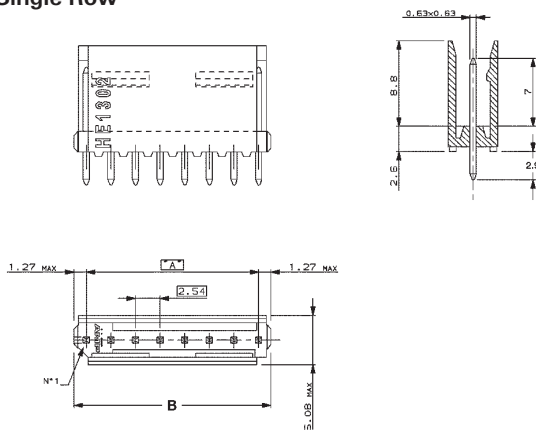
HE 13 / HE 14 Receptacle Housings - Page 46



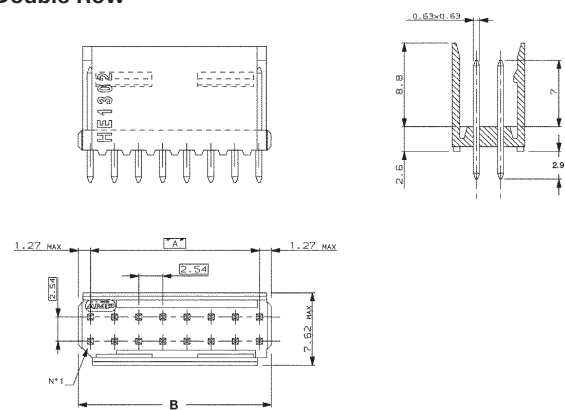
Technical Documents:

Product Specification - 108-15053

Single Row



Double Row



No. of Positions	Dimension		Single Row Type / Part Number		Double Row Type / Part Number	
	A	B	HE 13	HE 14	HE 13	HE 14
	2	2.54	5.08	281696-2	281695-2	281740-2
3	5.08	7.62	281696-3	281695-3	281740-3	281739-3
4	7.62	10.16	281696-4	281695-4	281740-4	281739-4
5	10.16	12.70	281696-5	281695-5	281740-5	281739-5
6	12.70	15.24	281696-6	281695-6	281740-6	281739-6
7	15.24	17.78	281696-7	281695-7	-	-
8	17.78	20.32	281696-8	281695-8	281740-8	281739-8
10	22.86	25.40	1-281696-0	1-281695-0	1-281740-0	1-281739-0
12	27.94	30.48	1-281696-2	1-281695-2	1-281740-2	1-281739-2
15	35.56	38.10	1-281696-5	1-281695-5	1-281740-5	1-281739-5
18	43.18	45.72	1-281696-8	1-281695-8	1-281740-8	1-281739-8

Shrouded Headers

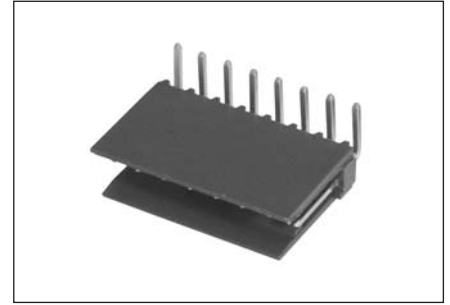
Right Angle 0.63mm Square Post

Specification:

- Housing** - Blue flame retardant high temperature nylon, UL 94V-0 rated
- Posts** - Phosphor bronze, plated as follows:
- HE 13** - Selectively plated 0.4 µm gold on contact area, gold flash on insertion area, 2.5 µm tin min on solder tail with entire post underplated
1.3 µm nickel
- HE 14** - Tin plated min. 2.5 µm on solder area, with entire post tin plated
0.8 µm over 0.8 µm nickel

Mating Connectors:

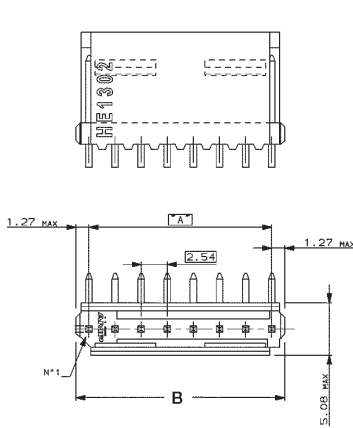
- HE 13 / HE 14 IDC Receptacles - Pages 42-43
- HE 13 / HE 14 Receptacle Housings - Page 46



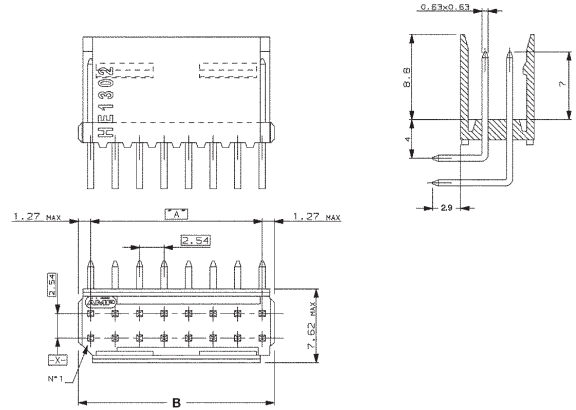
Technical Documents:

Product Specification - 108-15053

Single Row



Double Row



No. of Positions	Dimension		Single Row Type / Part Number		Double Row Type / Part Number	
	A	B	HE 13	HE 14	HE 13	HE 14
2	2.54	5.08	281699-2	281698-2	281743-2	281742-2
3	5.08	7.62	281699-3	281698-3	281743-3	281742-3
4	7.62	10.16	281699-4	281698-4	281743-4	281742-4
5	10.16	12.70	281699-5	281698-5	281743-5	281742-5
6	12.70	15.24	281699-6	281698-6	281743-6	281742-6
7	15.24	17.78	281699-7	281698-7	-	-
8	17.78	20.32	281699-8	281698-8	281743-8	281742-8
10	22.86	25.40	1-281699-0	1-281698-0	1-281743-0	1-281742-0
12	27.94	30.48	1-281699-2	1-281698-2	1-281743-2	1-281742-2
15	35.56	38.10	1-281699-5	1-281698-5	1-281743-5	1-281742-5
18	43.18	45.72	1-281699-8	1-281698-8	1-281743-8	1-281742-8

Receptacle Housings

Single and Double Row

Specification:

Housing - Blue flame retardant glass filled polyester, UL 94V-0 rated

Mating Connectors:

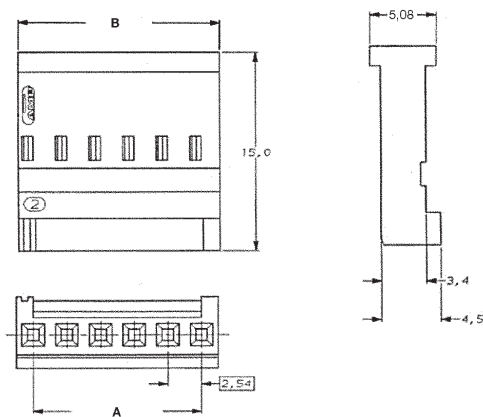
HE 13 / HE 14 Shrouded Headers - Pages 44-45

Technical Documents:

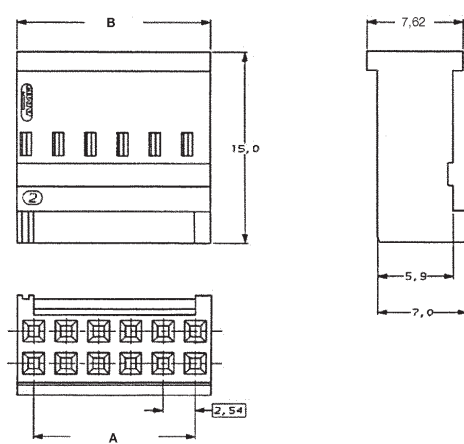
Product Specification - 108-15053



Single Row



Double Row



No. of Positions	Dimension		Part Number	
	A	B	Single Row	Double Row
3	5.08	7.62	281838-3	281839-3
4	7.62	10.16	281838-4	281839-4
5	10.16	12.70	281838-5	281839-5
6	12.70	15.24	281838-6	281839-6
7	15.24	17.78	281838-7	281839-7
8	17.78	20.32	281838-8	281839-8
10	22.86	25.40	1-281838-0	1-281839-0
12	27.94	30.48	1-281838-2	1-281839-2
15	35.56	38.10	1-281838-5	1-281839-5
18	43.18	45.72	1-281838-8	1-281839-8

Crimp Snap-In Receptacle Contacts with Insulation Support

Specification:

Material - Phosphor bronze, plated as follows:

HE 13 - Selectively plated 0.8 µm gold on contact area, 2.5 µm tin on crimp area, with entire contact underplated 1.3 µm nickel

HE 14 - Plated 2.5 µm tin



Technical Documents:

Product Specification - 108-15053

Wire Size Range mm ²	AWG	Insulation Diameter mm	Plating	Part Number	
				Strip Form	Loose Piece
0.22-0.08	24-28	1.5-0.8	HE 13	188746-1	182734-3
			HE 14	188744-1	182734-2

Engineering Notes



Engineering Notes

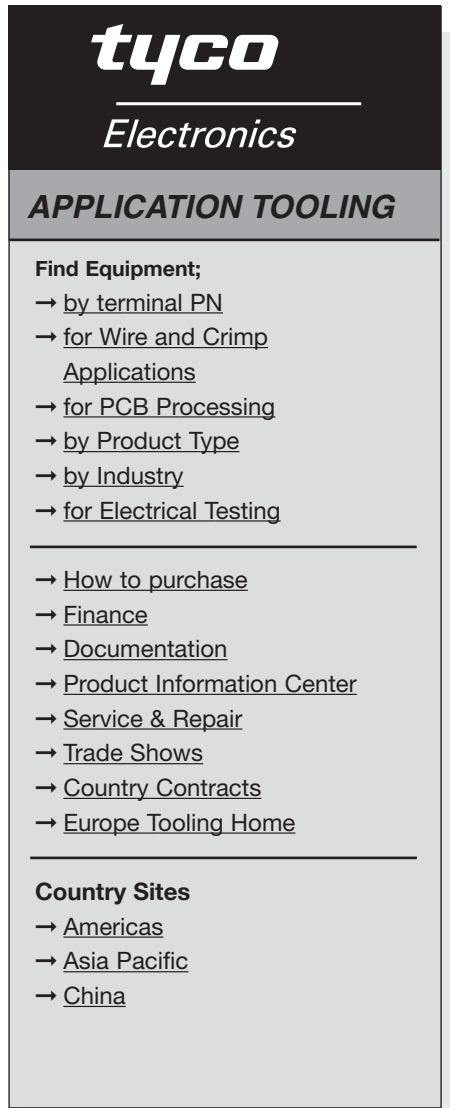


Application Tooling

Tooling and equipment options are many, varied and are continually improved.

Visit our Application Tooling website at www.tooling.tycoelectronics.com/europe

Save it as one of your favourites!



The screenshot shows a website menu for Tyco Electronics. At the top is the Tyco Electronics logo. Below it is the heading 'APPLICATION TOOLING'. The menu is divided into two main sections: 'Find Equipment;' and 'Country Sites'. Under 'Find Equipment;', there are links for 'by terminal PN', 'for Wire and Crimp Applications', 'for PCB Processing', 'by Product Type', 'by Industry', and 'for Electrical Testing'. Under 'Country Sites', there are links for 'Americas', 'Asia Pacific', and 'China'. There are also several other links listed below the 'Find Equipment;' section, including 'How to purchase', 'Finance', 'Documentation', 'Product Information Center', 'Service & Repair', 'Trade Shows', 'Country Contracts', and 'Europe Tooling Home'.

Helping yourself

- If you are new to referencing our Terminals / Contacts to hand tools, we strongly recommend that you read our one page guide to selecting the right tool in our online hand tool catalogue.
- First select the category you are looking for from the left-hand menu-bar.
- Generally there will be a Brochure that will show top-level information on the range of equipment available for the category selected. Also flyers that give more detailed information for each type of equipment listed in the Brochure.
- On the Applicator and Hand Tool pages - you can search on **Terminal** part number for tooling options
Or
by **Tool** part number for more product information
- If you regularly need Hand Tool information, there is an online **Hand Tool Catalogue** that is available to view or print, but can also be printed and sent to you if more convenient. This catalogue is updated regularly, so please ensure that your version is kept up to date.
- Requesting assistance
If you can't find what you are looking for, it does not necessarily mean that there is nothing available for your application:

for cross-referencing information - contact one of our Product Information Centres (PIC), listed when making a selection from the right-hand menu box:

for more complex equipment and technical help – find your country contact by selecting from the right-hand menu box.

Local contact information is available for most countries in a one page pdf file

Part Number Index

Part Number	Page Number	Part Number	Page Number	Part Number	Page Number	Part Number	Page Number	Part Number	Page Number
85861	36	215298	24	280512	12	281331	14	826654	19
85863	36	215299	24	280513	12	281332	14	826656	18
85865	36	215300	24	280514	12	281333	14	826658	18
85866	36	215301	25	280515	12	281334	14	826662	19
86181	7	215302	25	280520	15	281336	14	826664	19
86286	14, 36	215303	25	280521	15	281339	14	826853	9
86557	13	215304	25	280522	16	281340	14	826925	18
86561	13	215305	26	280523	16	281342	14	826926	18
87077	12	215306	26	280530	12	281349	14	826936	18
87116	6	215307	24	280578	14	281350	14	826938	18
87124	39	215308	24	280579	14	281351	14	826942	18
87165	39	215309	24	280580	14	281352	14	826944	18
87190	39	215310	24	280581	14	281353	14	826947	19
87191	39	215311	25	280582	14	281423	6	826949	19
87269	40	215312	25	280583	14	281556	12	826951	19
87270	40	215313	25	280585	14	281695	44	826953	19
87278	40	215314	25	280586	14	281696	44	826955	19
88048	13	215315	26	280590	6	281698	45	826957	19
141002	7	215316	26	280591	6	281699	45	827295	30
141003	7	216601	29	280592	6	281708	43	827296	31
141004	7	216602	29	280593	6	281709	43	827297	30
141007	7	216603	29	280594	6	281711	43	827298	31
141008	7	216604	29	280595	6	281712	43	827312	20
141009	7	280358	12	280609	8	281739	44	827313	20
141579	36	280359	12	280610	8	281740	44	827914	36
141584	7	280360	12	280611	8	281742	45	828213	20
141585	7	280361	12	280612	8	281743	45	828214	20
141586	7	280362	12	280613	8	281783	42	829094	24
141589	7	280363	12	280614	8	281784	42	829095	24
141590	7	280364	12	280615	8	281786	42	829264	27
141603	35	280365	12	280616	8	281787	42	829265	27
141708	35	280366	12	280617	8	281789	42	829410	24
142165	7	280368	12	280618	8	281790	42	829411	24
142166	7	280369	12	280619	8	281792	42	829575	27
142270	36	280370	15	280620	8	281793	42	829576	27
144270	43	280371	15	280621	6	281838	46	867052	39
144271	43	280372	15	280628	13	281839	46	925366	34
144273	43	280373	15	280629	13	281999	12	925367	34
144274	43	280374	15	280630	13	282790	16	925369	34
166309	35	280375	15	280631	13	282792	12	925370	34
166310	35	280376	15	280632	13	284123	12	926010	38
167020	35	280377	16	280633	13	284124	16	926209	38
167021	35	280378	16	280634	13	825433	20	926329	38
167022	35	280379	16	280635	13	825434	20	926475	32
167023	35	280380	16	280637	13	825435	20	926476	32
167024	35	280381	16	280638	13	825437	21	926477	33
167025	35	280382	16	280640	13	825440	20	926478	33
167300	35	280383	16	280702	6	825457	21	926498	33
167301	35	280384	15	280708	12	826467	30	926519	34
167651	36	280385	15	280709	12	826468	31	926657	38
167652	36	280387	15	280836	14	826469	30	928776	23
181270	12	280388	15	280851	14	826470	31	966572	23
181271	12	280389	16	280922	14	826539	9	966573	23
181299	6	280390	16	281018	12	826576	9	966574	23
182198	6	280392	16	281019	15	826629	18	966575	23
182206	12	280393	16	281021	16	826631	19	969973	28
182207	12	280422	12	281215	14	826632	18	1241050	22
182734	46	280508	15	281216	14	826634	19	1241150	22
188744	46	280509	15	281218	14	826646	18	1241152	28
188746	46	280510	16	281327	14	826648	18	1355344	28
215297	24	280511	16	281328	14	826652	19	1355347	28

Global Contacts

Americas

Argentina – Buenos Aires
Phone: +54-1-733-2000
Fax: +54-1-717-0988

Brasil – São Paulo
Phone: +55-11-2103-6000
Fax: +55-11-2103-6200

Canada – Toronto
Phone: +905-475-6222
Fax: +905-474-5520

Chile – Santiago
Phone: +56-2-739-1230
Fax: +56-2-739-1227

Colombia – Bogota
Phone: +57-1-231-9398
Fax: +57-1-240-3769

Mexico – Mexico City
Phone: +52-5-729-0400
Fax: +52-5-361-8545

United States
Harrisburg, PA
Phone: +1-717-564-0100
Fax: +1-717-986-7575

Troy, MI
Phone: +1-248-273-3359
Fax: +1-248-273-3322

Customer Service:
Phone: +1-800-522-6752

Venezuela – Caracas
Phone: +58-2-986-7774
Fax: +58-2-986-9739

For Latin/South American Countries not shown
Phone: +54-11-4733-2015
Fax: +54-11-4733-2083

Asia/Pacific

Australia – Sydney
Phone: +61-2-9554-2600
Fax: +61-2-9502-2556

India – Bangalore
Phone: +91-80-2854-0800
Fax: +91-80-2854-0820

Indonesia – Jakarta
Phone: +62-21-526-7852
Fax: +62-21-526-7856

Japan – Kawasaki, Kanagawa
Phone: +81-44-844-8111
Fax: +81-44-812-3207

Korea – Seoul
Phone: +82-2-3415-4500
Fax: +82-2-3486-3810

Malaysia – Selangor
Phone: +60-3-7805-3055
Fax: +60-3-7805-3066

New Zealand – Auckland
Phone: +64-9-634-4580
Fax: +64-9-634-4586

Philippines – Makati City
Phone: +632-867-8641
Fax: +632-867-8661

People's Republic of China
Hong Kong
Phone: +852-2735-1628
Fax: +852-2735-0243

Shanghai
Phone: +86-21-2407-1588
Fax: +86-21-2407-1599

Singapore – Singapore
Phone: +65-480-4525
Fax: +65-482-1012

Taiwan – Taipei
Phone: +886-2-2664-9977
Fax: +886-2-2664-9900

Thailand – Bangkok
Phone: +66-2-955-0500
Fax: +66-2-955-0505

Vietnam – Ho Chi Minh City
Phone: +84-8-930-4547
Fax: +84-8-930-3443

Europe/Middle East/Africa

Austria – Vienna
Phone: +43-1-905-60-0
Fax: +43-1-905-60-1333
Product Information Center:
Phone: +43-1-905-60-1249
Fax: +43-1-905-60-1251

Belgium – Kessel-Lo
Phone: +32-16-352-300
Fax: +32-16-352-352

Bulgaria – Sofia
Phone: +359-2-971-2152
Fax: +359-2-971-2153

Czech Republic – Kurim
Phone: +420-5-41-162-111
Fax: +420-5-41-162-223
Product Information Center:
Phone: +420-5-41-162-113
Fax: +420-5-41-162-132

Denmark – Glostrup
Phone: +45-43-480-452
Fax: +45-43-441-414

Egypt – Cairo
Phone: +20-2-29-04-281
Fax: +20-2-41-92-334

Finland – Helsinki
Phone: +358-95-12-34-20
Fax: +358-95-12-34-250

France – Cergy-Pontoise Cedex
Phone: +33-1-3420-8888
Fax: +33-1-3420-8600
Product Information Center:
Phone: +33-1-3420-8686
Fax: +33-1-3420-8623

France Export Divisions –
Cergy-Pontoise Cedex
Phone: +33-1-3420-8866
Fax: +33-1-3420-8300

Germany – Bensheim
Tyco Electronics AMP GmbH
Phone: +49-6251-133-0
Fax: +49-6251-133-1600
Product Information Center:
Phone: +49-6251-133-1999
Fax: +49-6251-133-1988

Germany – Niefem
Tyco Electronics pretema GmbH & Co. KG
Phone: +49-7233-69-0
Fax: +49-7233-69-100

Germany – Ottobrunn
Tyco Electronics Raychem GmbH
Phone: +49-89-6089-0
Fax: +49-89-6096-345

Greece – Athens
Phone: +30-210-9370-396/397
Fax: +30-210-9370-655

Hungary – Budapest
Phone: +36-1-289-1000
Fax: +36-1-289-1010
Product Information Center:
Phone: +36-1-289-1016
Fax: +36-1-289-1017

Ireland – Dublin
Phone: +353-1-820-3000
Fax: +353-1-820-9790

Israel – Yokneam
Phone: +972-4-959-0508
Fax: +972-4-959-0506

Italy – Collegno (Torino)
Phone: +39-011-4012-111
Fax: +39-011-4031116
Product Information Center:
Phone: +39-011-4012-360
Fax: +39-011-40287360

Lithuania – Vilnius
Phone: +370-5-2131-402
Fax: +370-5-2131-403

Netherlands – 's-Hertogenbosch
Phone: +31-73-6246-246
Fax: +31-73-6212-365
Product Information Center:
Phone: +31-73-6246-999
Fax: +31-73-6246-998

Norway – Nesbru
Phone: +47-66-77-88-86
Fax: +47-66-77-88-55

Poland – Warsaw
Phone: +48-22-4576-700
Fax: +48-22-4576-720

Product Information Center:
Phone: +48-22-4576-704
Fax: +48-22-4576-720

Romania – Bucharest
Phone: +40-21-311-3479 + 3596
Fax: +40-21-312-0574

Russia – Moscow
Phone: +7-495-926-55-06...09
Fax: +7-495-926-55-05

Russia – St. Petersburg
Phone: +7-812-718-8192
Fax: +7-812-718-8193

Slovenia – Ljubljana
Phone: +386-1561-3270
Fax: +386-1561-3240

South Africa – Port Elizabeth
Phone: +2741-503-4500
Fax: +2741-581-0440

Spain – Barcelona
Phone: +34-93-291-0330
Fax: +34-93-201-7879

Sweden – Upplands Väsby
Phone: +46-8-50-72-50-00
Fax: +46-8-50-72-50-01

Switzerland – Steinach
Phone: +41-71-447-0447
Fax: +41-71-447-0444

Turkey – Istanbul
Phone: +90-212-281-8181...3
+90-212-282-5130/5430
Fax: +90-212-281-8184

Ukraine – Kiev
Phone: +380-44-206-2265
Fax: +380-44-206-2264

United Kingdom –
Swindon, Wiltshire
Phone: +44-8706-080-208
Fax: +44-1793-572-109
Product Information Center:
FreePhone GB: 0800-267-666
Phone: +44-208-420-8341
+44-208-420-8343
Fax: +44-208-420-8081



tyco

Electronics

Tyco Electronics UK Limited
Faraday Road, Dorcan, Swindon, Wiltshire. SN3 5HH
Phone: 08 706 080208
Fax: 01 793 572516
www.tycoelectronics.com

a vital part of your world

© 2006 Tyco International
1773393 Revised 11-2006

AMPMODU and TYCO are trademarks