

THOMSON

Wireless headphones

Casque sans fil

Funkkopfhörer



Operating Instruction
Mode d'emploi
Bedienungsanleitung



Operating Instruction

Figure 1/ Illustration 1/ Bild 1:

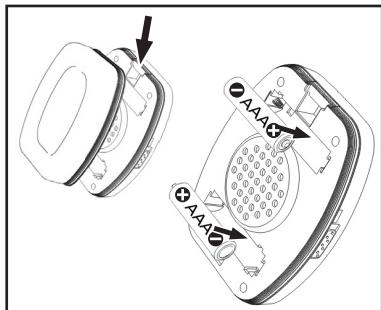


Figure 2/ Illustration 2/ Bild 2:

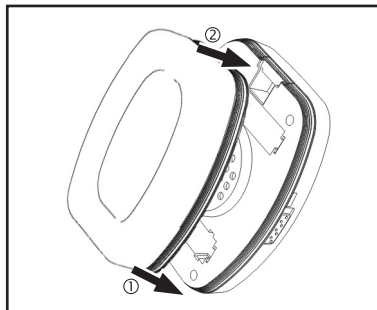


Figure 3/ Illustration 3/ Bild 3:

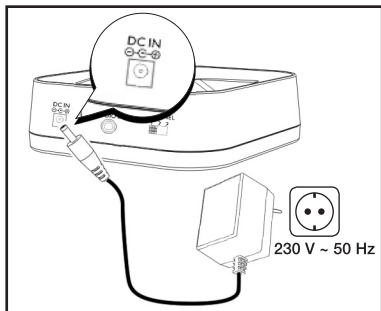


Figure 4/ Illustration 4/ Bild 4:

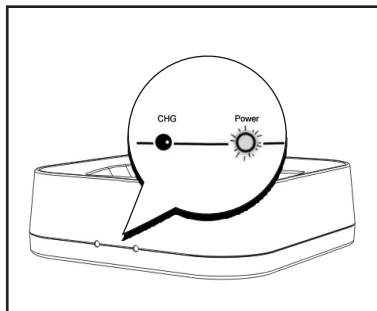


Figure 5/ Illustration 5/ Bild 5:

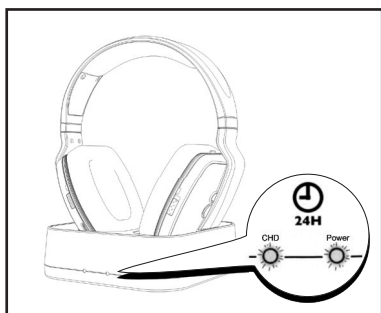


Figure 6/ Illustration 6/ Bild 6:

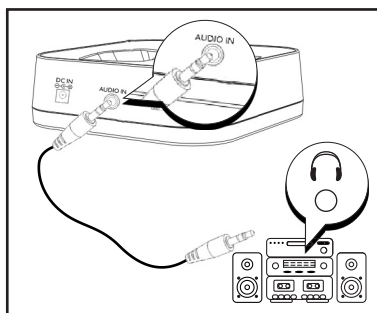


Figure 7/ Illustration 7/ Bild 7:

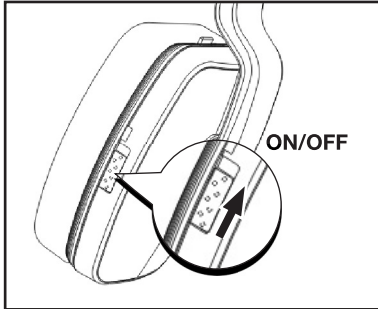


Figure 8/ Illustration 8/ Bild 8:

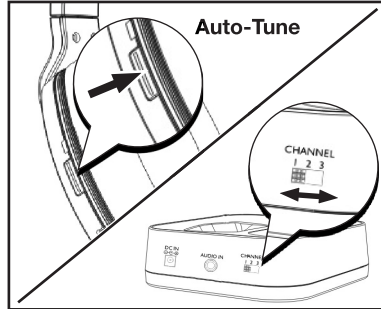


Figure 9/ Illustration 9/ Bild 9:

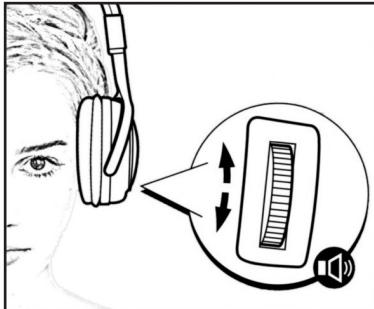


Figure 10/ Illustration 10/ Bild 10:



Operating Instruction

Figure 1:

Open the rechargeable battery compartment on the right side (R) of headphone receiver, and insert two AAA type rechargeable batteries as enclosed in the packaging of the product, making sure their positive and negative (+ and -) poles are correctly aligned.

Figure 2:

Close the rechargeable battery compartment.

Figure 3:

Insert the plug of the AC/DC power supply adapter into the socket marked DC IN at the rear of the charging station and then connect the adapter to a wall socket with 230 V and 50 Hz.

Figure 4:

The red signal/power indicator turns on when you have connected the charging station to an audio source that is switched on.

Figure 5:

Place the headphones on the charging station, ensuring that the charger contacts on the headphones are touching the contacts on the station (headphones locked backwards into place). Now check that the green charging control indicator on the station is illuminated. Allow the headphones to charge for 24 hours. Subsequent charging cycles then last approx. 10 hours.

Figure 6:

Connect the audio input to the headphone jack of an audio device (e.g. amplifier) using the 3.5 mm jack cable. To connect the (R) and (L) audio outputs of your stereo or TV, use the included jack/RCA adapter. Switch on the device and set the volume to about one quarter of the maximum level.

Figure 7:

Switch on the headphones and make sure the red signal/power LED is on: this confirms that the rechargeable batteries are charged. Turn the dial control for the volume to a medium volume.

Figure 8:

Adjust the headphone reception by pressing the autotune button once. If you are still not satisfied with the sound, change the channel on the rear of the charging station and press the autotune button again.

Figure 9:

Turn the volume down on the headphones before putting them on your head; once you are wearing them, adjust the volume to suit.

Figure 10:

Switch the headphones off after use and place them back on the charging station, so that the rechargeable batteries can be charged again.



If the volume is too low, the cradle switches off after 2 minutes of use. This is to comply with the current legislation on reduce the amount of radio emissions in the environment. Therefore, to ensure that this function is not accidentally triggered, we suggest that you set the television, audio amplifier or DVD/CD player headphone volume level at approximately half way (50%). Please consult your equipments user manual for details on how to set the head / earphones volume level.

Feaures

Power supply: 8 V (DC)

via a 230 V – 50 Hz (AC) mains power supply adaptor

Transmission frequency: UHF – 3 channels:

863.53 MHz (1), 864.03 MHz (2) and 864.53 MHz (3)

Frequency range: 20 Hz–20 kHz

Distortion: < 2 %

Channel separation: > 25 dB

S/N ratio: > 50 dB

Range: 100 m outdoors, 20 m–30 m indoors

Connections: 3.5 mm jack, 2x RCA

Lasts eight hours at medium volume

Contents:

Power supply unit

2x AAA batteries

Operating instructions

2 RCA to 3.5 mm jack cables

Audio cable 3.5 mm

Safety instructions:

The device is not protected against drops or splashes of water. Do not let the product come into contact with rain, moisture or other liquids to avoid damaging the device and to prevent injuries due to short circuits. Only connect the device to a mains socket that has been approved for the device. The mains socket must always be easily accessible. Do not subject batteries to excessive heat, sunlight, fire or similar. Never use or open a defective device. Repair work may only be conducted by an authorized specialist. As with all electronic devices, keep the device out of the reach of children.

Ⓞ Hereby, Hama GmbH & Co. KG, declares that this 00131959 is in compliance with the essential requirements and other relevant provisions of Directive 1999/5/EC. See www.hama.com for declaration of conformity according to R&TTE Directive 99/5/EC guidelines.

Ⓞ Par la présente Hama GmbH & Co. KG déclare que l'appareil 00131959 est conforme aux exigences essentielles et aux autres dispositions pertinentes de la directive 1999/5/CE. La déclaration de conformité à la directive R&TTE 99/5/CE se trouve sur www.hama.com.

Ⓞ Hiermit erklärt Hama GmbH & Co. KG, dass sich das Gerät 00131959 in Übereinstimmung mit den grundlegenden Anforderungen und den übrigen einschlägigen Bestimmungen der Richtlinie 1999/5/EG befindet. Die Konformitätserklärung nach der R&TTE Richtlinie 99/5/EG finden Sie unter www.hama.com

Ⓞ Por medio de la presente Hama GmbH & Co. KG declara que el 00131959 cumple con los requisitos esenciales y cualesquiera otras disposiciones aplicables o exigibles de la Directiva 1999/5/CE. La declaración de conformidad según la Directiva R&TTE 99/5/CE la encontrará en www.hama.com, buscando el código mencionado en el recuadro superior "find", y luego dentro de la carpeta "downloads". O bien en la www.hama.es, buscando el mismo código en el aparato de búsqueda rápida.

Ⓞ Con la presente Hama GmbH & Co. KG dichiara che questo 00131959 è conforme ai requisiti essenziali ed alle altre disposizioni pertinenti stabilite dalla direttiva 1999/5/CE. La dichiarazione di conformità secondo la direttiva R&TTE 99/5/CE è disponibile sul sito www.hama.com

Ⓞ Hama GmbH & Co. KG declara que este 00131959 está conforme com os requisitos essenciais e outras disposições da Directiva 1999/5/CE. A declaração de conformidade segundo a directiva R&TTE 99/5/CE pode ser consultada em www.hama.com

Ⓞ Компания Нама GmbH & Co. KG настоящим подтверждает, что изделие 00131959 соответствует основным требованиям, а также положениям нормативов 1999/5/EG. Заявление о соответствии товара нормам R&TTE 99/5/EG см. на веб-узле www.hama.com

Ⓞ Hierbij verklaart Hama GmbH & Co. KG dat het toestel 00131959 in overeenstemming is met de essentiële eisen en de andere relevante bepalingen van richtlijn 1999/5/EG. De conformiteitsverklaring conform de R&TTE-richtlijn 99/5/EG vindt u onder www.hama.com

Ⓞ Niniejszym Hama GmbH & Co. KG oświadcza, że 00131959 jest zgodny z zasadniczymi wymogami oraz pozostałymi stosownymi postanowieniami Dyrektywy 1999/5/EC. Deklaracja zgodności według dyrektywy R&TTE 99/5/EG dostępna na stronie internetowej www.hama.com

Ⓞ Alulírott, Hama GmbH & Co. KG nyilatkozom, hogy a 00131959 megfelel a vonatkozó alapvető követelményeknek és az 1999/5/EC irányelv egyéb előírásainak. A megfelelőségi követelmények megegyeznek az R&TTE Irányelvek 99/5/EG ajánlásaival www.hama.com

Ⓜ ME THN ΠΑΡΟΥΣΑ Hama GmbH & Co. KG ΔΗΛΩΝΕΙ ΟΤΙ 00131959 ΣΥΜΜΟΡΦΩΝΕΤΑΙ ΠΡΟΣ ΤΙΣ ΟΥΣΙΩΔΕΙΣ ΑΠΑΙΤΗΣΕΙΣ ΚΑΙ ΤΙΣ ΛΟΙΠΕΣ ΣΧΕΤΙΚΕΣ ΔΙΑΤΑΞΕΙΣ ΤΗΣ ΟΔΗΓΙΑΣ 1999/5/EK. Τη δήλωση συμμόρφωσης σύμφωνα με την οδηγία 99/5/EK περί R&TTE θα τη βρείτε στη διεύθυνση www.hama.com

Ⓝ Hama GmbH & Co. KG tímto prohlašuje, že tento 00131959 je ve shodě se základními požadavky a dalšími příslušnými ustanoveními směrnice 1999/5/ES. Prohlášení, o shodě podle směrnice R&TTE 99/5/EG, naleznete na www.hama.com

Ⓚ Hama GmbH & Co. KG týmto vyhlasuje, že 00131959 spĺňa základné požiadavky a všetky príslušné ustanovenia Smernice 1999/5/ES. Prehlásenie o zhode podľa R&TTE smernice 99/5/EG nájdete na www.hama.com

Ⓡ Hama GmbH & Co. KG bu cihazın 00131959 1999/5/EG Direktifi 'nin ilgili talimatlarına ve bu direktif tarafından istenen koşullara uygunluğunu beyan eder. R&TTE Direktifi 99/5/EG'ye göre uygunluk beyanı için www.hama.com adresine bakınız.

Ⓢ Härmed intygar Hama GmbH & Co. KG att denna 00131959 står i överensstämmelse med de väsentliga egenskapskrav och övriga relevanta bestämmelser som framgår av direktiv 1999/5/EG. Konformitetsförklaring enligt R&TTE riktlinje 99/5/EG finner du på www.hama.com

Ⓝ Hama GmbH & Co. KG vakuuttaa täten että 00131959 tyyppinen laite on direktiivin 1999/5/EY oleellisten vaatimusten ja sitä koskevien direktiivin muiden ehtojen mukainen. Radio- ja telepäätelaitteita koskevan direktiivin 99/5/EY mukainen vaatimustenmukaisuusvakuutus löytyy osoitteesta www.hama.com

Ⓡ Prin prezenta Hama GmbH & Co. KG declară, că aparatul 00131959 satisface cerințele fundamentale și celelalte dispoziții relevante ale Directivei 1999/5/CE. Declarația de conformitate conform directivei 99/5/UE din R&TTE o găsiți la www.hama.com



Thomson is a trademark of Technicolor
or its affiliates used under license to
HAMA GmbH & Co KG

Hama GmbH & Co KG
D-86652 Monheim



00131959/01.14/V2