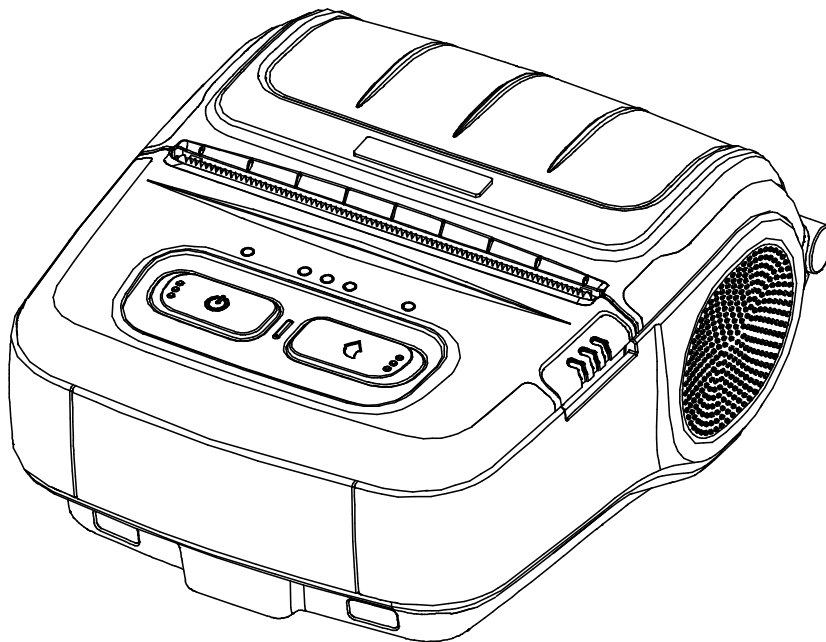


BIXOLON®

Paper Specifications

MOBILE PRINTER
Rev. 1.03



<http://www.bixolon.com>

Table of contents

- 1. Receipt paper3**
 - 1-1 Paper specifications.....3
 - 1-2 Recommended papers3
 - 1-3 Black mark specifications3

- 2. Label paper.....5**
 - 2-1 Paper specifications.....5
 - 2-2 Quantity of label (Reference)5
 - 2-3 Black mark specifications6

- 3. Linerless paper7**
 - 3-1 Paper specifications.....7
 - 3-2 Recommended papers7
 - 3-3 Black mark specifications7

Manual Information

This manual contains paper specifications needed to use mobile printer.

1. Receipt paper

1-1 Paper specifications

Model	Paper width	Outer diameter of paper roll	Thickness	Length of Paper (Reference)
SPP-R200 Series	49.5 ± 0.5 mm (1.94" ± 0.2")	Max. Ø40 mm (Max. Ø1.57")	0.07 ± 0.005 mm (0.0028" ± 0.0002")	12m (39.37')
	57.5 ± 0.5 mm (2.26" ± 0.2")			
SPP-R210 Series	57.5 ± 0.5 mm (2.26" ± 0.2")	Max. Ø30 mm (Max. Ø1.18")	0.07 ± 0.005 mm (0.0028" ± 0.0002")	5m (16.4')
SPP-R300 Series SPP-R310 Series	79.5 ± 0.5 mm (3.13" ± 0.2")	Max. Ø50 mm (Max. Ø1.97")	0.07 ± 0.005 mm (0.0028" ± 0.0002")	21m (68.89')
SPP-R400 Series SPP-R410 Series	104.5 ± 0.5 mm (4.11" ± 0.2")	Max. Ø57 mm (Max. Ø2.24")	0.07 ± 0.005 mm (0.0028" ± 0.0002")	29m (95.14')
	111.5 ± 0.5 mm (4.39" ± 0.2")			

1-2 Recommended papers

- PD 150R (Paper Thickness 75µm), New Oji Paper Mfg. Co., Ltd.

1-3 Black mark specifications

1-3-1 Available black mark location by model

Model	Black mark location					
	Middle of front (Standard)	Right of front (0)	Left of front (4)	Middle of rear (2)	Right of rear (1)	Left of rear (3)
SPP-R200 series	○	X	X	X	X	X
SPP-R210 series	○	X	X	X	X	X
SPP-R300 series	○	○	○	○	○	○
SPP-R310 series	○	○	○	○	○	○
SPP-R400 Series	○	○	○	○	○	○
SPP-R410 series	○	○	○	○	○	○

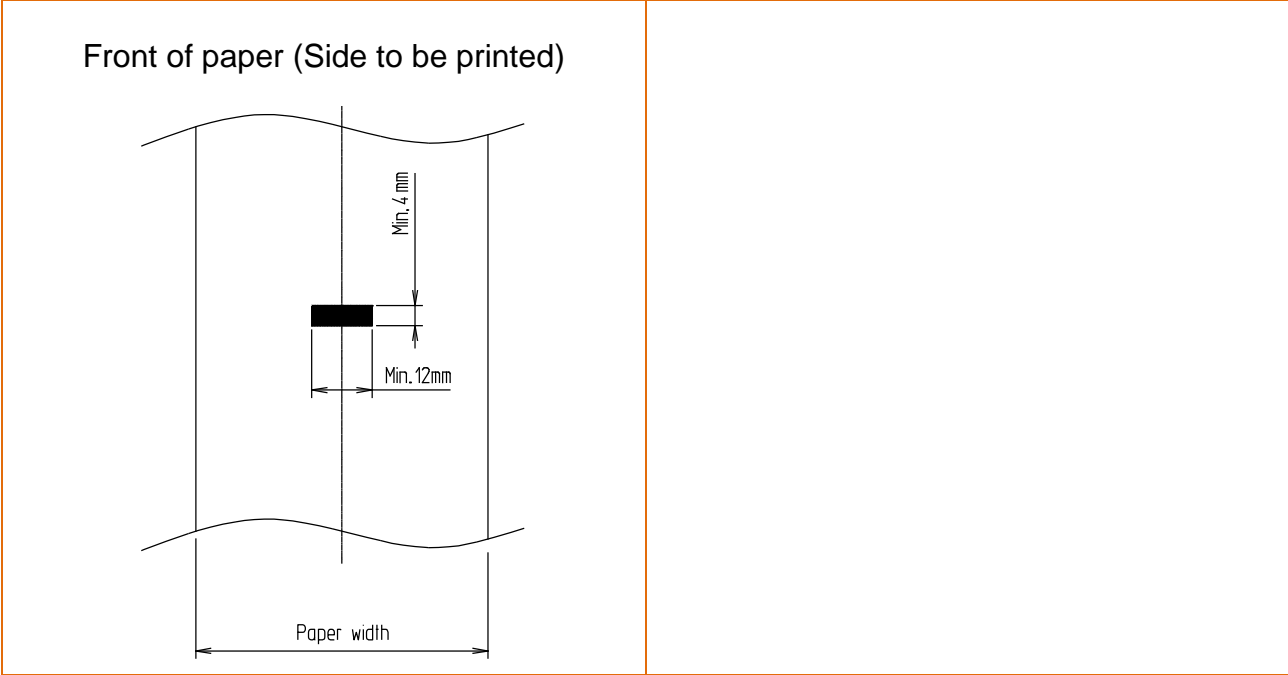
NOTE

Front is side to be printed.

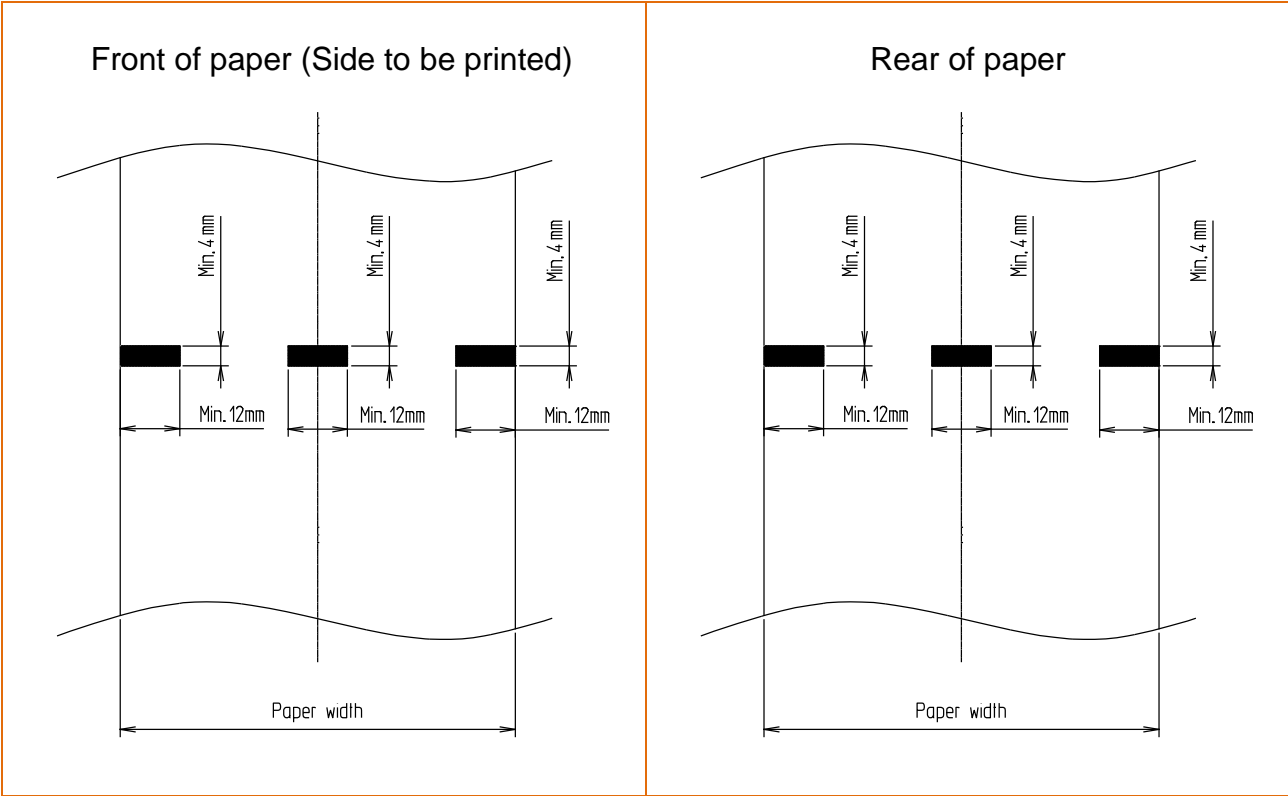
Paper Specification

1-3-2 Black mark location and dimensions

- SPP-R200, R210 Series



- SPP-R300, R310, R400, R410 Series



NOTE

Density of black mark: Optical density 0.84 ~ 1.34
(Based on the Macbeth measuring instrument)

2. Label paper

2-1 Paper specifications

Model	Paper Width	Outer Diameter of Paper Roll	Inner Diameter of Paper Core	Length of Paper (Reference)
SPP-R200 Series	49.5 ± 0.5 mm (1.94" ± 0.2")	Max. Ø39 mm (Max. Ø1.53")	19mm (0.75")	4.5m (14.76')
	57.5 ± 0.5 mm (2.26" ± 0.2")			
SPP-R300 Series SPP-L310 Series	79.5 ± 0.5 mm (3.13" ± 0.2")	Max. Ø49 mm (Max. Ø1.93")	19mm (0.75")	9.5m (31.16')
SPP-R400 Series SPP-L410 Series	104.5 ± 0.5 mm (4.11" ± 0.2")	Max. Ø56 mm (Max. Ø2.2")	19mm (0.75")	13m (42.65')
	111.5 ± 0.5 mm (4.39" ± 0.2")			
SPP-L3000	79.5 ± 0.5 mm (3.13" ± 0.2")	Max. Ø66 mm (Max. Ø2.6")	19mm (0.75")	19.5m (63.97')

2-2 Quantity of label (Reference)

Model	Outer Diameter of Paper Roll	Length of Label					
		1"	2"	3"	4"	5"	6"
SPP-R200 Series	Max. Ø39 mm (Max. Ø1.53")	150	80	55	40	-	-
SPP-R300 Series SPP-L310 Series	Max. Ø49 mm (Max. Ø1.93")	330	175	120	90	70	-
SPP-L400 Series SPP-L410 Series	Max. Ø56 mm (Max. Ø2.2")	455	240	160	120	100	80
SPP-L3000	Max. Ø66 mm (Max. Ø2.6")	685	360	245	185	150	-

2-3 Black mark specifications

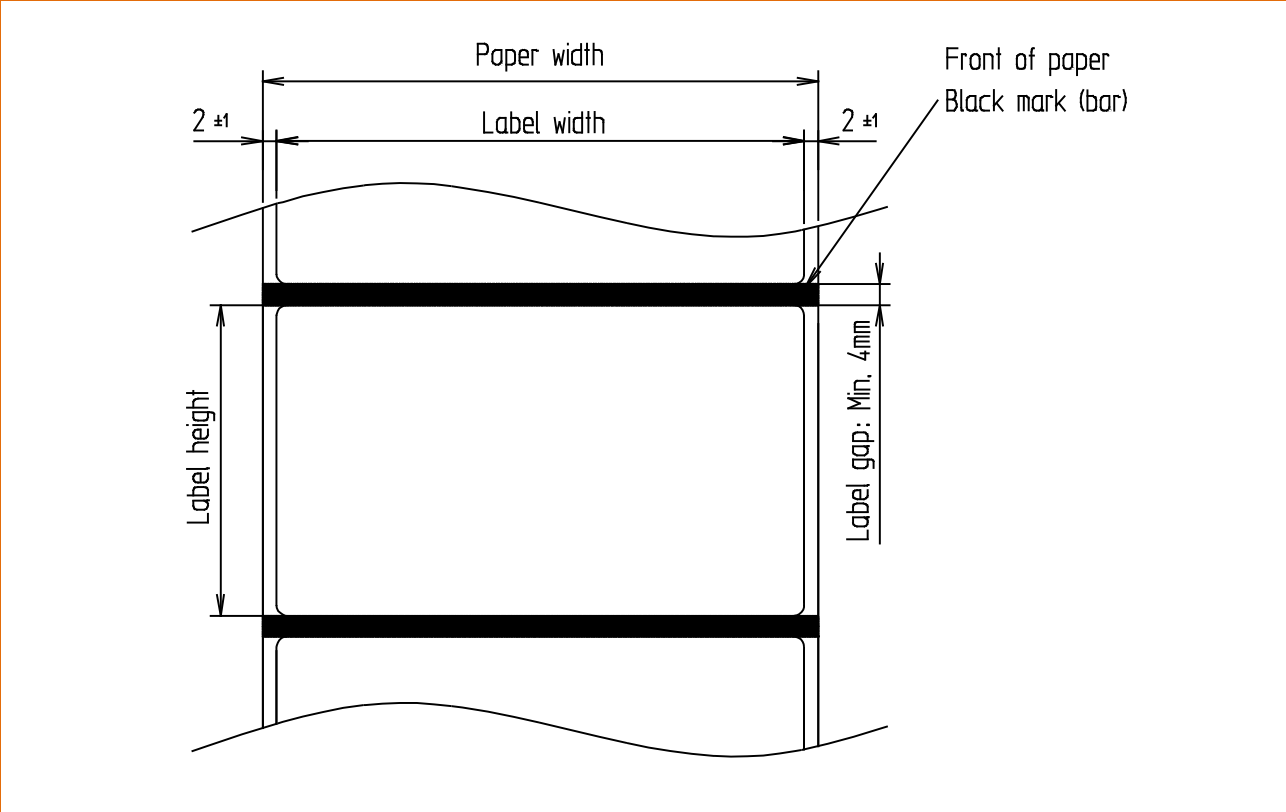
2-3-1 Available black mark location by model

Model	Black mark location					
	Middle of front (Standard)	Right of front (0)	Left of front (4)	Middle of rear (2)	Right of rear (1)	Left of rear (3)
SPP-R200 Series	○	X	X	X	X	X
SPP-R300 Series	○	○	○	○	○	○
SPP-R310 Series	○	○	○	○	○	○
SPP-R400 Series	○	○	○	○	○	○
SPP-R410 Series	○	○	○	○	○	○
SPP-L3000	○	X	X	○	X	X

NOTE

Front is side to be printed.

2-3-2 Dimension of Label paper and black mark



NOTE

Density of black mark: Optical density 0.84 ~ 1.34
(Based on the Macbeth measuring instrument)

3. Linerless paper

3-1 Paper specifications

Model	Paper Width	Outer Diameter of Paper Roll	Thickness	Length of Paper (Reference)
SPP-R200 Series	49.5 ± 0.5 mm (1.94" ± 0.2")	Max. Ø39 mm (Max. Ø1.53")	0.08 ± 0.01 mm (0.0032" ± 0.0004")	10m (32.8')
	57.5 ± 0.5 mm (2.26" ± 0.2")			
SPP-R210 Series	57.5 ± 0.5 mm (2.26" ± 0.2")	Max. Ø30 mm (Max. Ø1.18")	0.08 ± 0.01 mm (0.0032" ± 0.0004")	5m (16.4')
SPP-R300 Series SPP-L310 Series SPP-L3000	79.5 ± 0.5 mm (3.13" ± 0.2")	Max. Ø49 mm (Max. Ø1.93")	0.08 ± 0.01 mm (0.0032" ± 0.0004")	17m (55.77')
SPP-R400 Series SPP-L410 Series	104.5 ± 0.5 mm (4.11" ± 0.2")	Max. Ø56 mm (Max. Ø2.2")	0.08 ± 0.01 mm (0.0032" ± 0.0004")	24m (78.74')
	111.5 ± 0.5 mm (4.39" ± 0.2")			

3-2 Recommended papers

- T6087 (Paper Thickness 76µm), Blumberg GmbH & Co. KG

3-3 Black mark specifications

3-3-1 Available black mark location by model

Model	Black mark location					
	Middle of front (Standard)	Right of front (0)	Left of front (4)	Middle of rear (2)	Right of rear (1)	Left of rear (3)
SPP-R200 Series	○	X	X	X	X	X
SPP-R210 Series	○	X	X	X	X	X
SPP-R300 Series	○	○	○	○	○	○
SPP-R310 Series	○	○	○	○	○	○
SPP-L310 Series	○	X	X	○	X	X
SPP-R400 Series	○	○	○	○	○	○
SPP-R410 Series	○	○	○	○	○	○
SPP-L410 Series	○	X	X	○	X	X
SPP-L3000	○	X	X	○	X	X

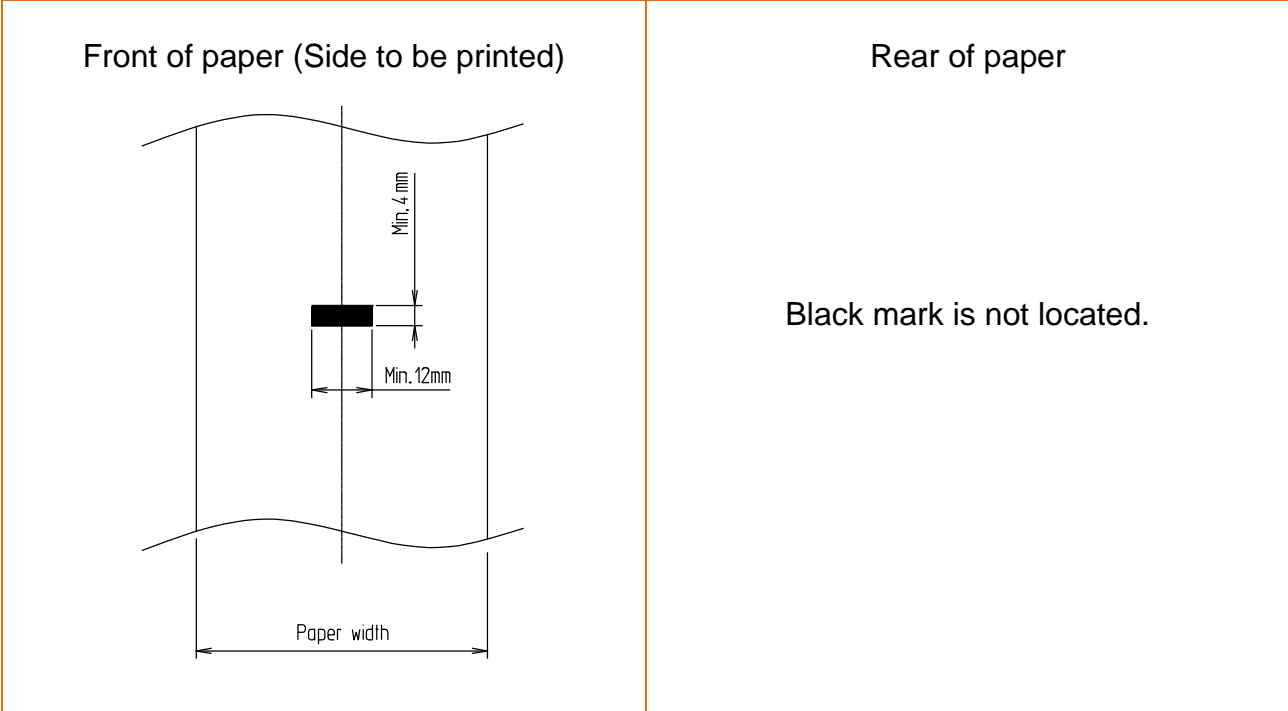
NOTE

Front is side to be printed.

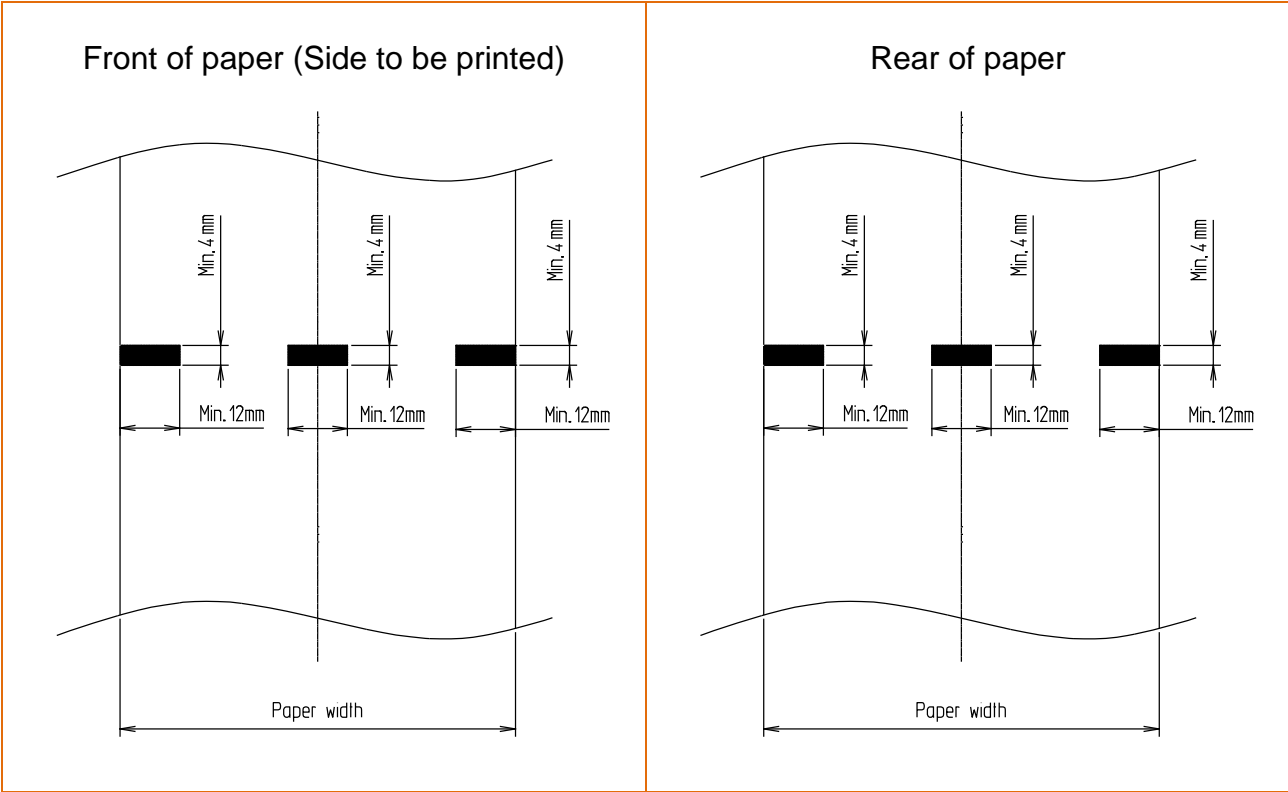
Paper Specification

3-3-2 Black mark location and dimension

- SPP-R200, R210 Series

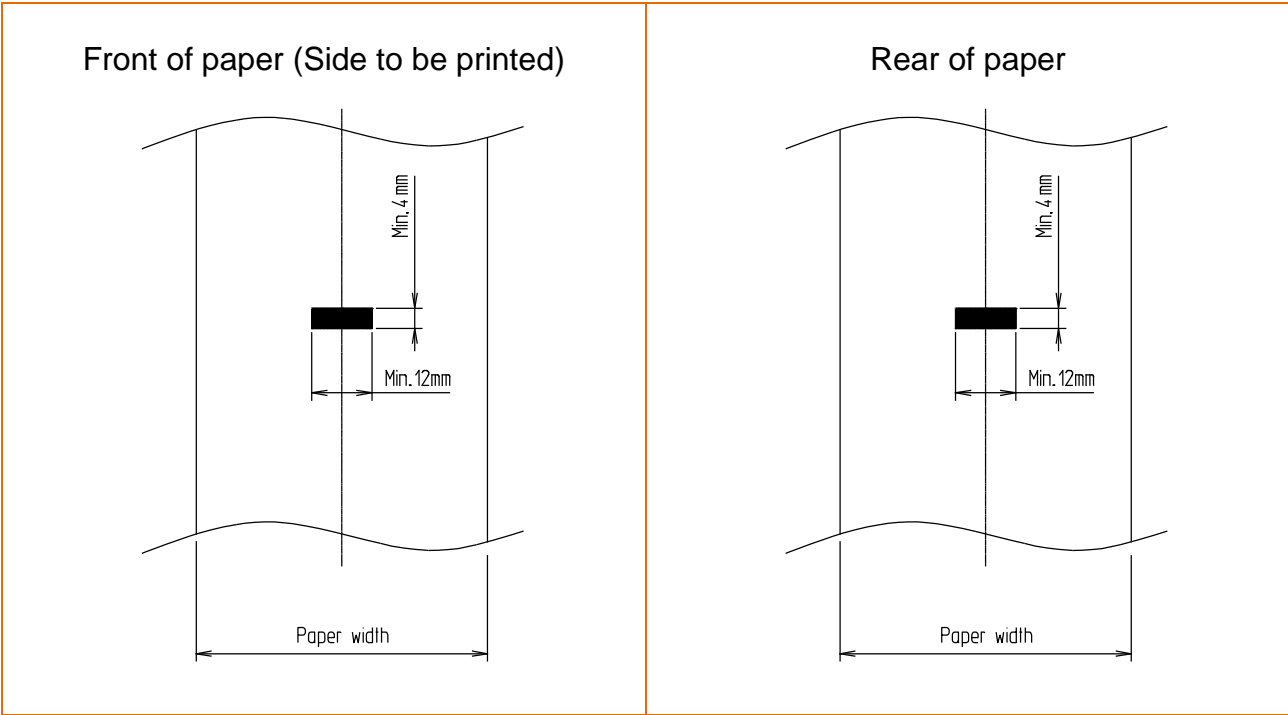


- SPP-R300, R310, R400, R410 Series



Paper Specification

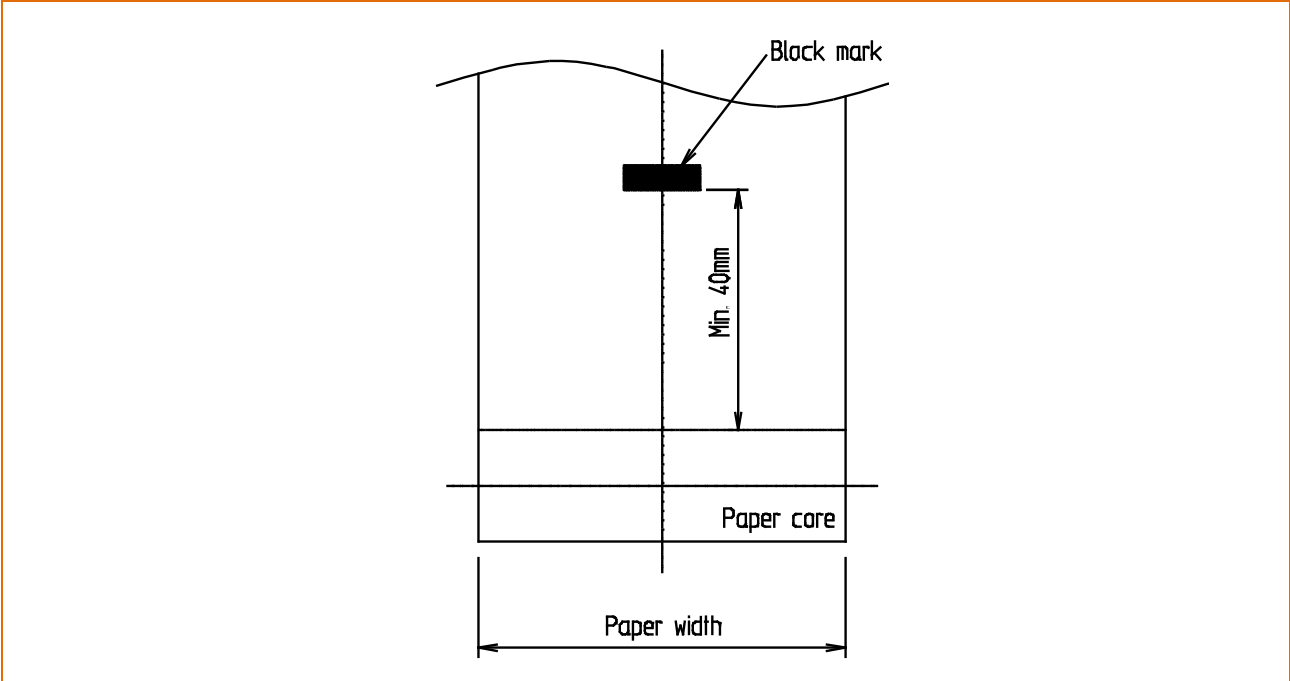
- SPP- L310, L410 Series, SPP-L3000



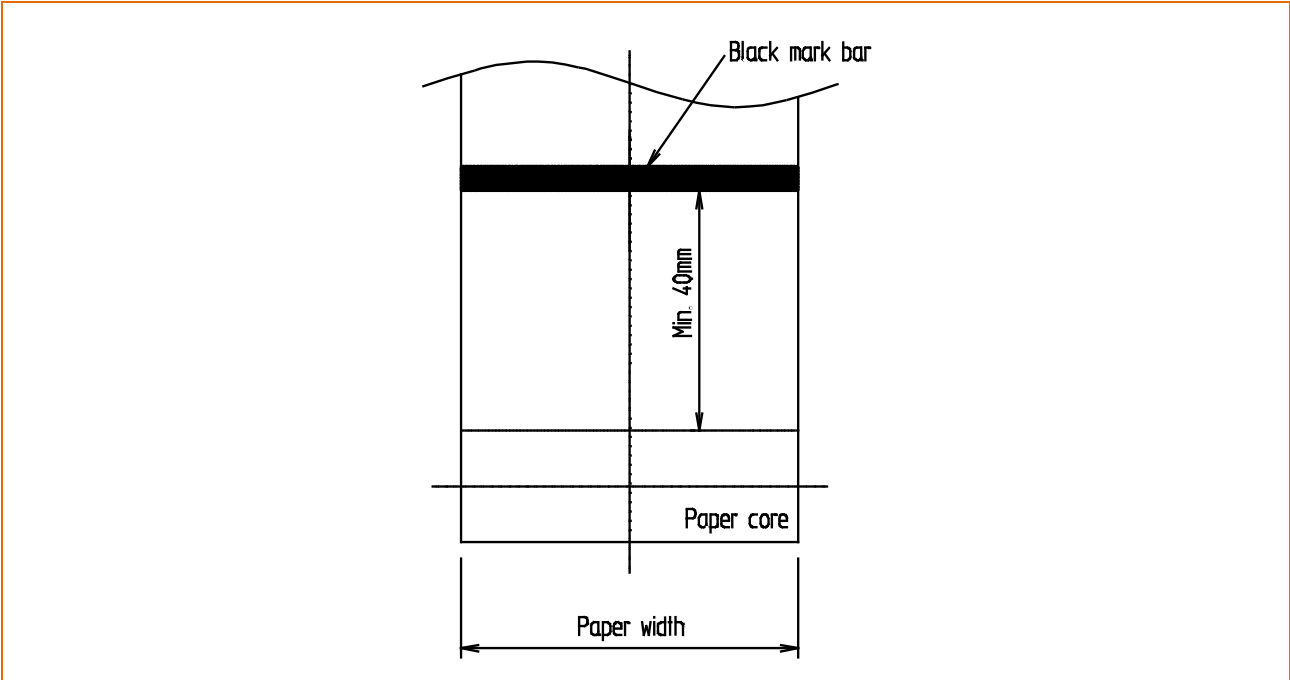
3-3-3 Paper end

Paper end should be produced like below type.

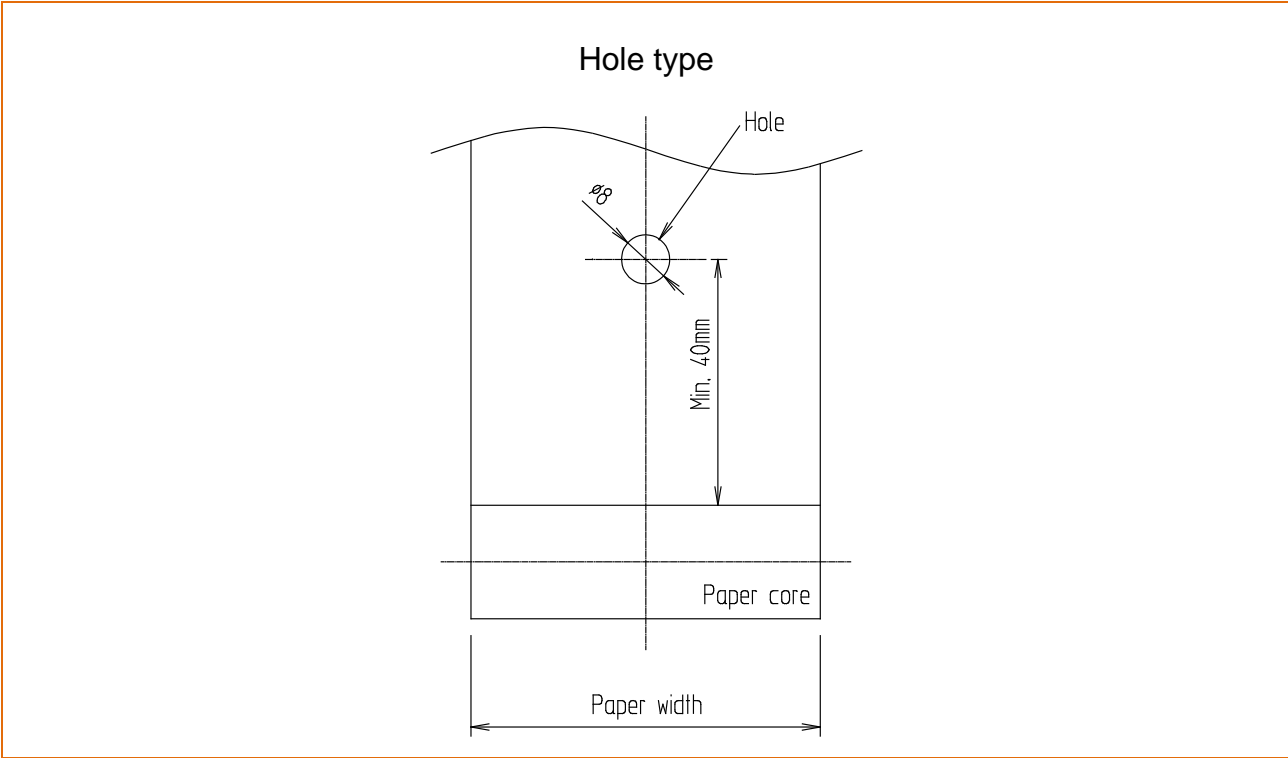
- Black mark type



- Black mark bar type



- Hole type



- Separate type
Paper end must be separated from paper core automatically.

NOTE
Density of black mark: Optical density 0.84 ~ 1.34
(Based on the Macbeth measuring instrument)