



**G50 / GL50 Series  
LCD Monitor  
User Manual**



# Copyright

Copyright 2013 by BenQ Corporation. All rights reserved. No part of this publication may be reproduced, transmitted, transcribed, stored in a retrieval system or translated into any language or computer language, in any form or by any means, electronic, mechanical, magnetic, optical, chemical, manual or otherwise, without the prior written permission of BenQ Corporation.

# Disclaimer

BenQ Corporation makes no representations or warranties, either expressed or implied, with respect to the contents hereof and specifically disclaims any warranties, merchantability or fitness for any particular purpose. Further, BenQ Corporation reserves the right to revise this publication and to make changes from time to time in the contents hereof without obligation of BenQ Corporation to notify any person of such revision or changes.

The performance of flicker-free may be affected by external factors such as poor cable quality, unstable power supply, signal interference, or poor grounding, and not limited to the above mentioned external factors. (Applicable for flicker-free models only.)

Please follow these safety instructions for best performance, and long life for your monitor.

# Power Safety

- The AC plug isolates this equipment from the AC supply.
- The power supply cord serves as a power disconnect device for pluggable equipment. The socket outlet should be installed near the equipment and be easily accessible.
- This product should be operated from the type of power indicated on the marked label. If you are not sure of the type of power available, consult your dealer or local power company.
- An approved power cord greater or equal to H03VV-F or H05VV-F, 2G or 3G, 0.75mm<sup>2</sup> must be used.

# Care And Cleaning

- **Cleaning.** Always unplug your monitor from the wall outlet before cleaning. Clean the LCD monitor surface with a lint-free, non-abrasive cloth. Avoid using any liquid, aerosol or glass cleaners.
- Slots and openings on the back or top of the cabinet are for ventilation. They must not be blocked or covered. Your monitor should never be placed near or over a radiator or heat source, or in a built-in installation unless proper ventilation is provided.
- Never push objects or spill liquid of any kind into this product.

# Servicing

Do not attempt to service this product yourself, as opening or removing covers may expose you to dangerous voltages or other risks. If any of the above mentioned misuse or other accident such as dropping or mishandling occurs, contact qualified service personnel for servicing.

# BenQ ecoFACTS

BenQ has been dedicated to the design and development of greener product as part of its aspiration to realize the ideal of the "Bringing Enjoyment 'N Quality to Life" corporate vision with the ultimate goal to achieve a low-carbon society. Besides meeting international regulatory requirement and standards pertaining to environmental management, BenQ has spared no efforts in pushing our initiatives further to incorporate life cycle design in the aspects of material selection, manufacturing, packaging, transportation, using and disposal of the products. BenQ ecoFACTS label lists key eco-friendly design highlights of each product, hoping to ensure that consumers make informed green choices at purchase. Check out BenQ's CSR Website at <http://csr.BenQ.com/> for more details on BenQ's environmental commitments and achievements.

For

GL950A / GL950AM / GL950 / GL950M  
GL955A / GL951A / GL951AM / GL2055A /  
GL2055 / GL2055M / GL2250 / GL2250E /  
GL2250M / GL2250HM / GL2250TM /  
GL2251M / GL2251TM / GL2450 / GL2450M /  
GL2450HM / GL2450HT / GL2750HM

For

G950A / G950AM / G951A / G955A /  
G2250 / G2250HM / G2255A / G2255 /  
G2251M / G2251TM / G2450 / G2450HM /  
G2750 / G2750HM


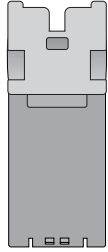
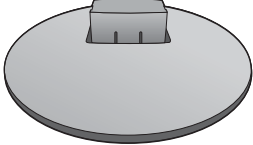
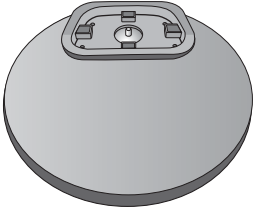
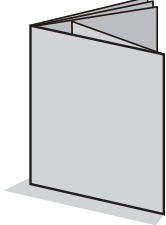
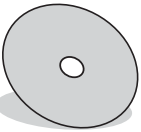
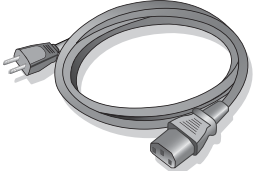


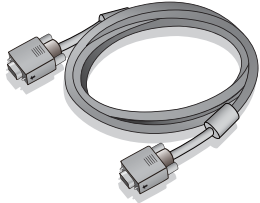
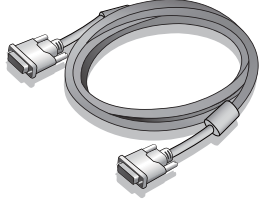
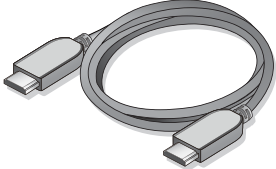
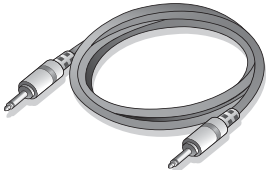
# Table of Contents

|  |    |
|--|----|
| Copyright .....  | 2  |
| Getting started .....  | 5  |
| Getting to know your monitor .....   | 7  |
| Front view .....   | 7  |
| Back view .....  | 7  |
| How to assemble your monitor hardware .....                                  | 9  |
| How to detach the base .....   | 13 |
| Using the monitor wall mounting kit .....                                    | 15 |
| Getting the most from your BenQ monitor .....                                | 16 |
| How to install the monitor on a new computer .....                           | 17 |
| How to upgrade the monitor on an existing computer .....                     | 19 |
| How to install on Windows 8 system (selected models only) .....              | 20 |
| How to install on Windows 7 system .....                                     | 21 |
| How to install on Windows Vista systems .....                                | 22 |
| Picture optimization .....   | 23 |
| How to adjust your monitor .....   | 24 |
| The control panel .....  | 24 |
| Hot key mode .....   | 25 |
| Main menu mode .....   | 26 |
| Appendix: Assembling your monitor with a height adjustment stand (HAS) ..... | 39 |
| How to attach the monitor base .....   | 39 |
| How to detach the base .....   | 41 |
| Adjusting the monitor height .....   | 42 |
| Rotating the monitor .....   | 43 |
| Viewing angle adjustment .....   | 44 |
| Using the monitor wall mounting kit .....                                    | 45 |
| Troubleshooting .....  | 46 |
| Frequently asked questions (FAQ) .....                                       | 46 |
| Need more help? .....  | 47 |

# Getting started

When unpacking please check you have the following items. If any are missing or damaged, please contact the place of purchase for a replacement.

|   |   |
|---|---|
| BenQ LCD Monitor  |     |
| Monitor Stand<br>(for models without height adjustment stand)             |    |
| Monitor Base<br>(for models without height adjustment stand)              |   |
| Monitor Base<br>(for models with height adjustment stand)                 |   |
| Quick Start Guide   |  |
| CD-ROM  |  |
| Power Cord<br>(Picture may differ from product supplied for your region.) |   |

|  |   |
|--|---|
| Video Cable: D-Sub   |   |
| Video Cable: DVI-D<br>(Optional accessory for models with DVI inputs, sold separately) |   |
| Video Cable: HDMI<br>(Optional accessory for models with HDMI inputs, sold separately) |   |
| Audio Cable<br>(Optional accessory for models with speakers, sold separately)          |  |



- Available accessories and the pictures shown here may differ from the actual contents and the product supplied for your region. For cables that are not supplied with your product, you can purchase them separately.
- Consider keeping the box and packaging in storage for use in the future when you may need to transport the monitor. The fitted foam packing is ideal for protecting the monitor during transport.



Always keep the product and accessories out of reach of small children.

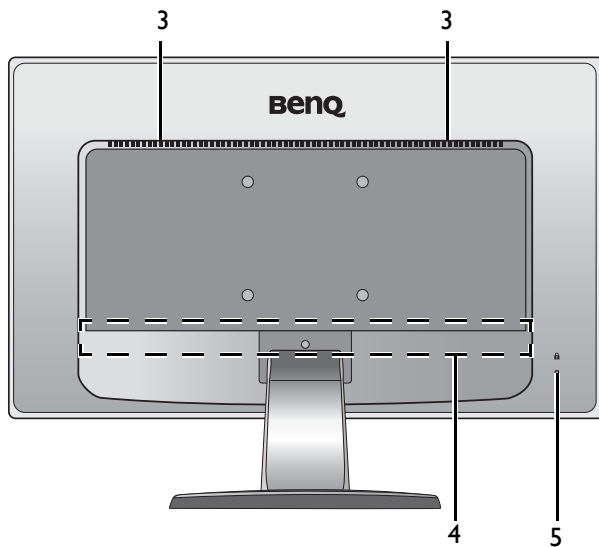
# Getting to know your monitor

## Front view



1. Control buttons
2. Power button

## Back view



3. Speakers (for models with speakers)
4. Input and output ports (vary by model, see [Input and output ports on page 8](#))
5. Kensington lock slot

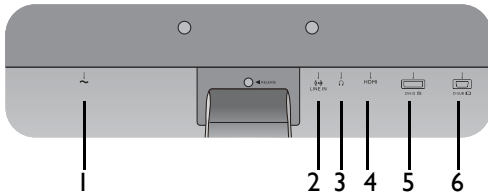


- Above diagram may vary depending on the model.
- Picture may differ from product supplied for your region.

## Input and output ports

Available input and output ports may vary depending on your purchased model. Check the **Specification** document on the provided CD for details.

### Models with HDMI inputs



1. AC power input jack

2. Audio Line In

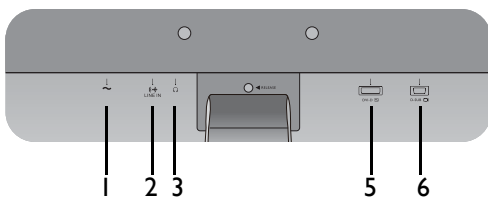
3. Headphone jack

4. HDMI socket

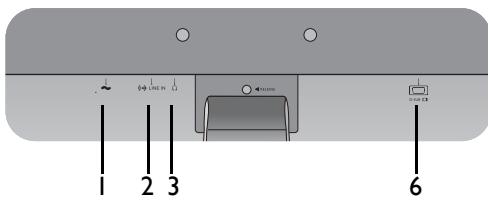
5. DVI-D socket

6. D-Sub socket

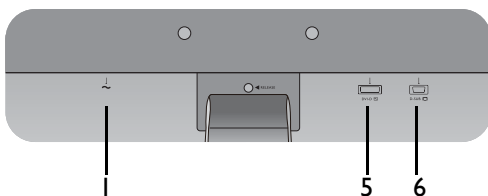
### Models with dual inputs and speakers



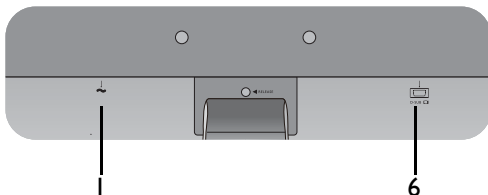
### Models with analog-only inputs and speakers



### Models with dual inputs



### Models with analog-only inputs





# How to assemble your monitor hardware

- If your model came with a height adjustment stand (HAS), refer to [Appendix: Assembling your monitor with a height adjustment stand \(HAS\) on page 39](#) for details on hardware installation.
- If the computer is turned on you must turn it off before continuing.  
Do not plug-in or turn-on the power to the monitor until instructed to do so.
- The following illustrations are for your reference only. Available input and output jacks may vary depending on the purchased model.

## I. Attach the monitor base.

Please be careful to prevent damage to the monitor. Placing the screen surface on an object like a stapler or a mouse will crack the glass or damage the LCD substrate voiding your warranty. Sliding or scraping the monitor around on your desk will scratch or damage the monitor surround and controls.

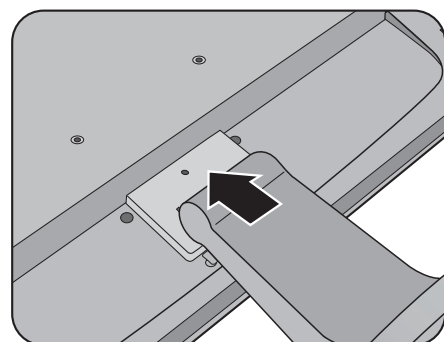
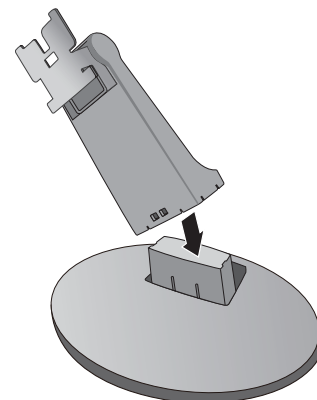
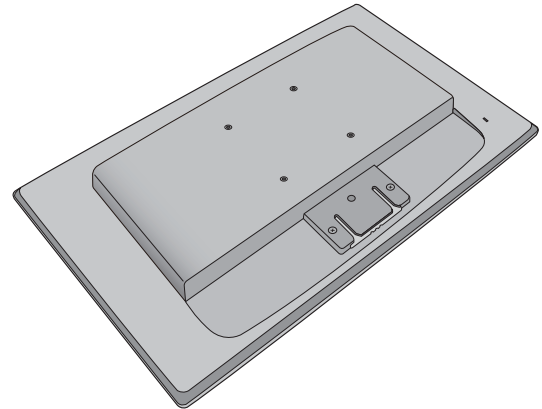
Protect the monitor and screen by clearing a flat open area on your desk and placing a soft item like the monitor packaging bag on the desk for padding.


Gently lay the screen face down on a flat clean padded surface.

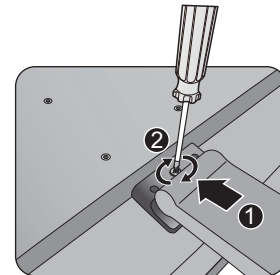
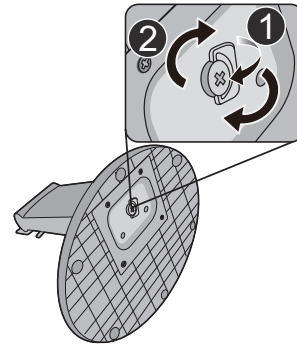
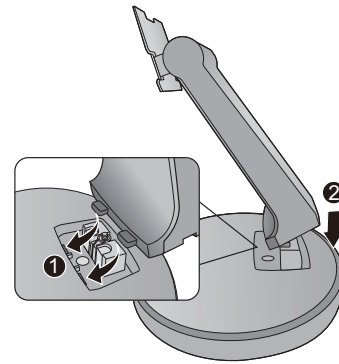
Attach the monitor stand to the monitor base as illustrated until it locks in place.

Gently attempt to pull them back apart to check that they have properly engaged.

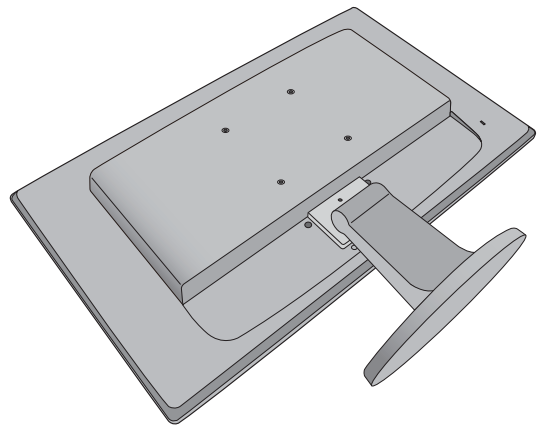
Orient and align the stand arm with the monitor, then push them together until they click and lock into place.




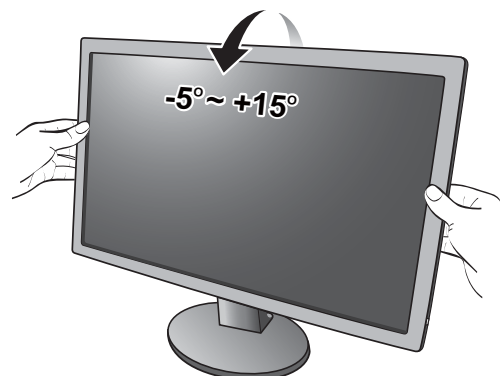
 If the screen size is 27 inches, follow the illustrations on the right to attach the monitor stand and the base. Tighten the screw that fixes the stand to the monitor. Use of a flat-head screwdriver is recommended.



Gently attempt to pull them back apart to check that they have properly engaged.



 You should position the monitor and angle the screen to minimize unwanted reflections from other light sources.



## 2. Connect the video cable

Do not use both DVI-D cable and D-Sub cable on the same PC. The only case in which both cables can be used is if they are connected to two different PCs with appropriate video systems. (Not available for analog-only models).

### To Connect the D-Sub Cable

Connect the plug of the D-Sub cable (at the end without the ferrite filter) to the monitor video socket. Connect the other end of the cable (at the end with the ferrite filter) to the computer video socket.

Tighten all finger screws to prevent the plugs from accidentally falling out during use.

### To Connect the DVI-D Cable

Connect the plug of the DVI-D cable (at the end without the ferrite filter) to the monitor video socket. Connect the other end of the cable (at the end with the ferrite filter) to the computer video socket.

Tighten all finger screws to prevent the plugs from accidentally falling out during use.

### To Connect the HDMI Cable

Connect the plug of the HDMI cable to one of the two HDMI ports on the monitor. Connect the other end of the cable to the HDMI port of a digital output device.

If there is more than one video transmission method available to you, you might want to take the picture quality of each video cable into consideration before making the connection.

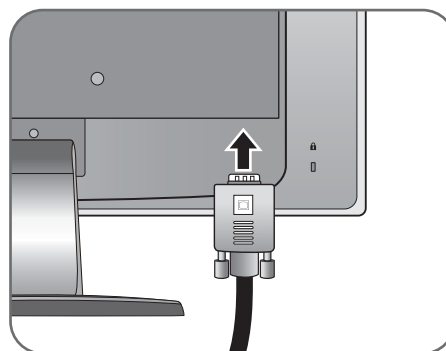
- Better quality: HDMI / DVI-D
- Good quality: D-Sub

The video cables included in your package and the socket illustrations on the right may vary depending on the product supplied for your region.

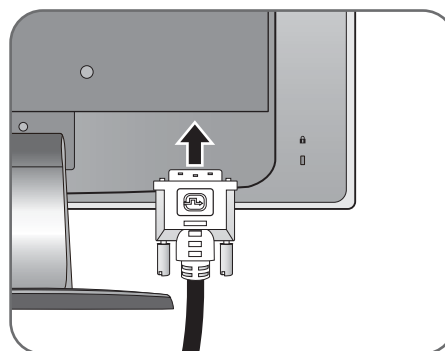
## 3. Connect the audio cable (for models with speakers).

Connect the audio cable between the socket on the rear of the monitor (Line In) and your computer audio outlet.

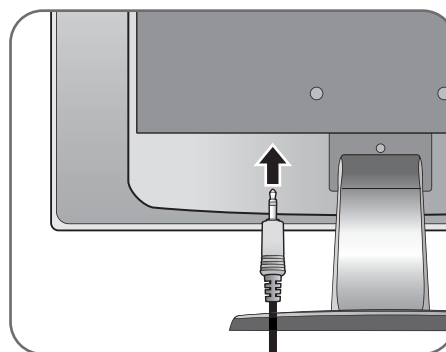
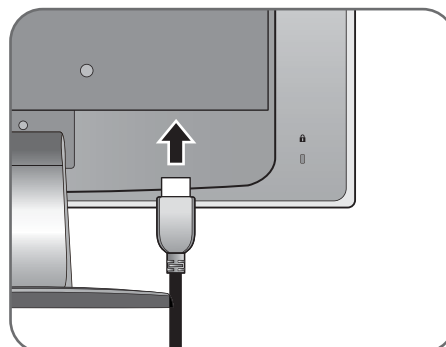
Either




Or

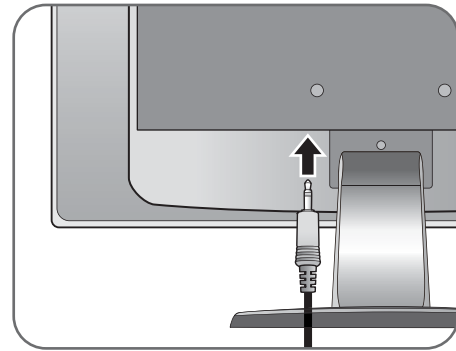


Or




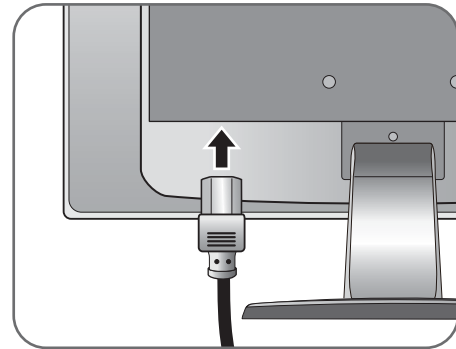
You may connect headphones to the headphone jack found next to the Line In jack of the monitor.

 Location of the Line In and headphone jacks may vary by model. Check [Input and output ports on page 8](#) for details.



#### 4. Connect the power cable to the monitor.

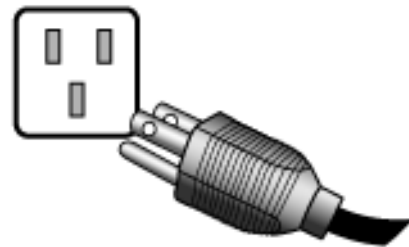
Plug one end of the power cord into the socket labelled  on the rear of the monitor. Do not connect the other end to a power outlet just yet.



#### 5. Connect-to and turn-on the power.


Plug the other end of the power cord into a power outlet and turn it on.

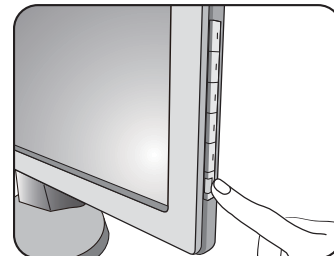
 Picture may differ from product supplied for your region.



Turn on the monitor by pressing the power button on the right of the monitor.

Turn on the computer too, and follow the instructions in [Getting the most from your BenQ monitor on page 16](#) to install the monitor software.

 To extend the service life of the product, we recommend that you use your computer's power management function.

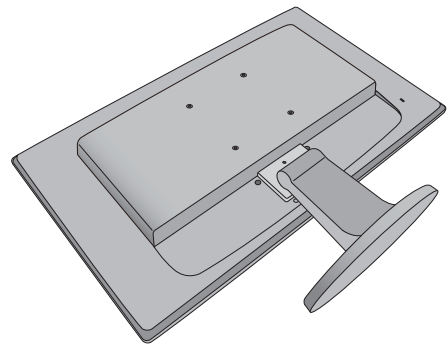



# How to detach the base

## 1. Prepare the monitor and area.

Turn off the monitor and the power before unplugging the power cable. Turn off the computer before unplugging the monitor signal cable.

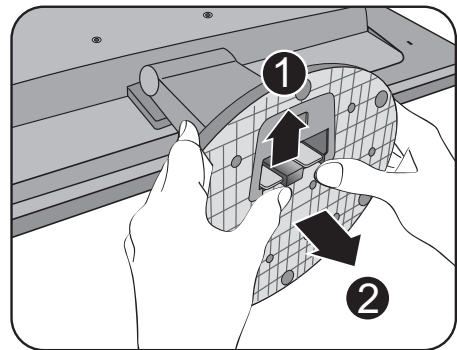
Protect the monitor and screen by clearing a flat open area on your desk and placing a soft item like a towel on the desk for padding, before laying the screen face down on a flat clean padded surface.



 Please be careful to prevent damage to the monitor. Placing the screen surface on an object like a stapler or a mouse will crack the glass or damage the LCD substrate voiding your warranty. Sliding or scraping the monitor around on your desk will scratch or damage the monitor surround and controls.

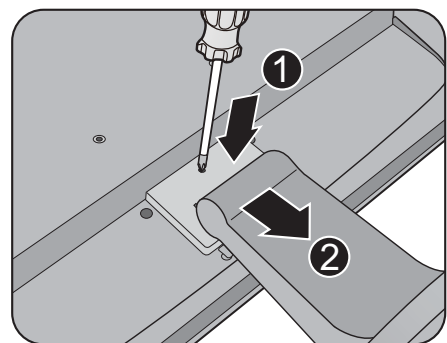
## 2. Push the locking clips upward to detach the monitor base from the monitor stand arm.


While pushing the locking clips upward, detach the stand base from the stand arm.

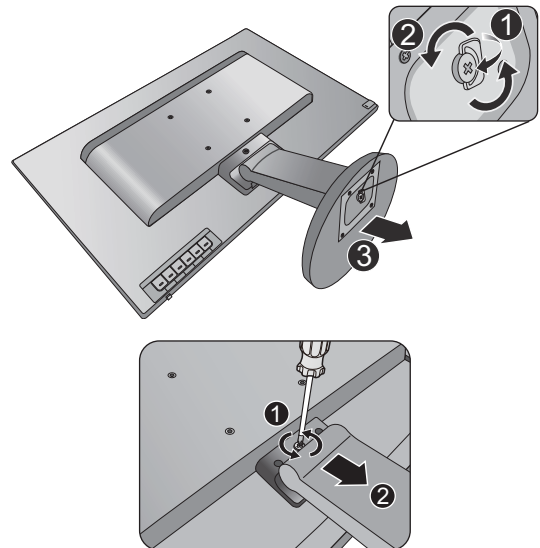


## 3. Remove the monitor stand.

Insert a pointed object such as a screwdriver to the hole above the monitor stand arm, and then push the screwdriver against the release button inside the hole. Then pull the monitor stand backward away from the monitor.



 If the screen size is 27 inches, follow the illustration on the right to detach the monitor base. Release the screw that fixes the stand to the monitor. Use of a flat-head screwdriver is recommended. Then pull the monitor stand backward away from the monitor.



# Using the monitor wall mounting kit

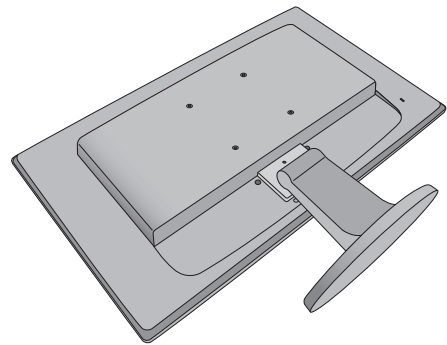
The back of your LCD monitor has a VESA standard mount with 100mm pattern, allowing the installation of a wall mount bracket. Before starting to install a monitor wall mounting kit, please read the precautions carefully.

Precautions:

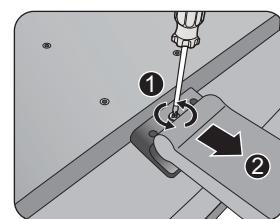
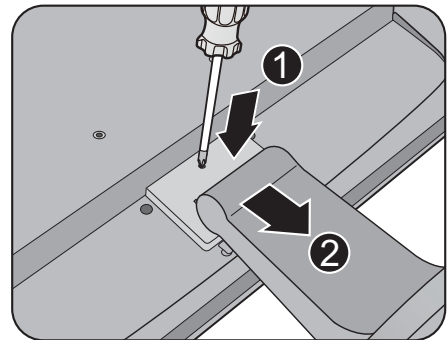
- Install your monitor and monitor mounting kit on a wall with flat surface.
- Ensure that the wall material is stable to support the weight of the monitor.
- Turn off the monitor and the power before disconnecting the cables from the LCD monitor.


## 1. Remove the monitor base.


Lay the screen face down on a clean and well-padded surface.



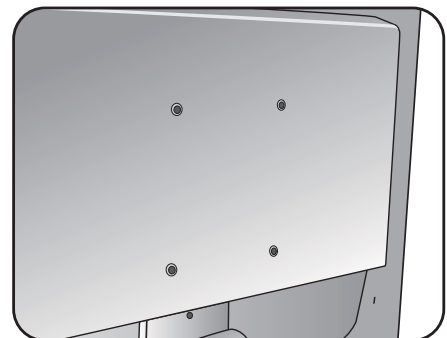
Detach the monitor base as instructed in [How to detach the base on page 13](#).



 If the screen size is 27 inches, follow the illustration on the right to detach the monitor stand.

 In case you intend to use your monitor on the stand in the future, please keep the monitor base, monitor stand, and screws somewhere safe for future use.

## 2. Follow the instruction manuals of the wall mount bracket you purchased to complete the installation.



# Getting the most from your BenQ monitor

To gain the most benefit from your new BenQ LCD monitor, you should install the custom BenQ LCD Monitor driver software as provided on the BenQ LCD Monitor CD-ROM.

The circumstances under which you connect and install your BenQ LCD Monitor will determine which process you need to follow to successfully install the BenQ LCD Monitor driver software. These circumstances relate to which version of Microsoft Windows you are using, and whether you are connecting the monitor and installing the software onto a new computer (without existing monitor driver software), or whether you are upgrading an existing installation (which already has existing monitor driver software) with a newer monitor.

In either case however, the very next time you turn on your computer (after connecting the monitor to your computer), Windows will automatically recognize the new (or different) hardware, and will launch its **Found New Hardware wizard**.

Follow the wizard instructions until it asks you to select a monitor model. At that point, click the **Have Disk** button, insert the BenQ LCD Monitor CD-ROM and select the appropriate monitor model. Further details and step-by-step instructions for either an automatic (new) or upgrade (existing) installation, see:

- [How to install the monitor on a new computer on page 17.](#)
- [How to upgrade the monitor on an existing computer on page 19.](#)




- If you require a User Name and Password to login to your Windows computer, you must be logged on as an Administrator or as a member of the Administrators group in order to install the monitor driver software. Furthermore, if your computer is connected to a network which has security access requirements, network policy settings may prevent you from installing software on your computer.
  - To check the name of the purchased model, refer to the specification label on the back of the monitor.
-



## How to install the monitor on a new computer

This instruction details the procedure for selecting and installing the BenQ LCD Monitor driver software on a new computer which has never had a monitor driver installed before. This instruction is only suitable for a computer which has never been used before, and for which the BenQ LCD Monitor is the first ever monitor to be connected to it.

---

 If you are adding the BenQ LCD Monitor to an existing computer that has already had another monitor connected to it (and has monitor driver software installed), you should not be following these instructions. You should instead be following the instructions for [How to upgrade the monitor on an existing computer](#).


---

1. Follow the instructions in [How to assemble your monitor hardware on page 9](#).

When Windows starts, it will automatically detect the new monitor and launch the **Found New Hardware Wizard**. Follow the prompts until it displays the option to **Install Hardware Device Drivers**.

2. Insert the BenQ LCD Monitor CD-ROM into a CD drive on the computer.
3. Check **Search for a suitable driver for my device** option, and click **Next**.
4. Check the option for CD-ROM drives (uncheck all others) and click **Next**.
5. Look to confirm that the wizard has selected the correct name of your monitor and click **Next**.
6. Click **Finish**.
7. Restart the computer.

---

 To find the suitable driver files for the purchased model, refer to the following table.

---

| Driver files | Suitable models                       |
|--------------|---------------------------------------|
| GL950A       | GL950A / GL950AM                      |
| GL950        | GL950 / GL950M                        |
| GL955        | GL955A                                |
| G950A        | G950A / G950AM                        |
| GL951A       | GL951A / GL951AM                      |
| G951A        | G951A                                 |
| G955A        | G955A                                 |
| GL2055       | GL2055 / GL2055M / GL2055A            |
| GL2250       | GL2250 / GL2250E / GL2250M / GL2250TM |
| GL2250H      | GL2250HM                              |
| G2250        | G2250                                 |
| G2250H       | G2250HM                               |
| GL2251       | GL2251M / GL2251TM                    |
| G2251        | G2251M / G2251TM                      |
| G2255A       | G2255A                                |
| G2255        | G2255                                 |

| Driver files | Suitable models     |
|--------------|---------------------|
| GL2450       | GL2450 / GL2450M    |
| GL2450H      | GL2450HM / GL2450HT |
| G2450        | G2450               |
| G2450H       | G2450HM             |
| GL2750H      | GL2750HM            |
| G2750        | G2750               |
| G2750H       | G2750HM             |

## How to upgrade the monitor on an existing computer

This instruction details the procedure for manually updating the existing monitor driver software on your Microsoft Windows computer. It is currently tested as compatible for Windows 8, Windows 7, and Windows Vista Operating System (OS).



The BenQ LCD Monitor driver for your model may well function perfectly with other versions of Windows, however, as at the time of writing, BenQ has done no testing of this driver on other versions of Windows and cannot guarantee its operation on those systems.

---

Installing monitor driver software involves selecting an appropriate information file (.inf) on the BenQ LCD Monitor CD-ROM for the particular model monitor you have connected, and letting Windows install the corresponding driver files from the CD. You need only steer it in the right direction. Windows has an Upgrade Device Driver Wizard to automate the task and guide you through the file selection and installation process.

See:

- [How to install on Windows 8 system \(selected models only\) on page 20](#)
- [How to install on Windows 7 system on page 21.](#)
- [How to install on Windows Vista systems on page 22.](#)

# How to install on Windows 8 system (selected models only)

## 1. Open **Display Properties**.

Move the cursor to the lower-right of the screen or press the **Windows + C** buttons on the keyboard to bring up the **Charm** bar. Go to **Settings, Control Panel, Devices and Printers** and right-click the name of your monitor from the menu.

Alternatively, right-click the desktop and select **Personalize, Display, Devices and Printers**, and right-click the name of your monitor from the menu.

## 2. Select **Properties** from the menu.

## 3. Click the **Hardware** tab.

## 4. Click **Generic PnP Monitor**, and then the **Properties** button.

## 5. Click the **Driver** tab and the **Update Driver** button.

## 6. Insert the BenQ LCD Monitor CD-ROM into a CD drive on the computer.

## 7. In the **Update Driver Software** window, select the option **Browse my computer for driver software**.

## 8. Click **Browse** and navigate to the following directory: d:\BenQ\_LCD\Driver\ (where d is the drive letter designator for the CD-ROM drive).



The drive letter for your CD drive may differ from the example above depending upon your system - it may be 'D:' or 'E:' or 'F:' etc.

---

## 9. Select the correct folder name of your monitor from provided driver list, and click **Next**.

This will copy and install the appropriate monitor driver files to your computer.

## 10. Click **Close**.

You may be prompted to restart your computer after the driver update is complete.

# How to install on Windows 7 system

## 1. Open **Display Properties**.

Go to **Start, Control Panel, Hardware and Sound, Devices and Printers** and right-click the name of your monitor from the menu.

Alternatively, right-click the desktop and select **Personalize, Display, Devices and Printers**, and right-click the name of your monitor from the menu.

## 2. Select **Properties** from the menu.

## 3. Click the **Hardware** tab.

## 4. Click **Generic PnP Monitor**, and then the **Properties** button.

## 5. Click the **Driver** tab and the **Update Driver** button.

## 6. Insert the BenQ LCD Monitor CD-ROM into a CD drive on the computer.

## 7. In the **Update Driver Software** window, select the option **Browse my computer for driver software**.

## 8. Click **Browse** and navigate to the following directory: d:\BenQ\_LCD\Driver\ (where d is the drive letter designator for the CD-ROM drive).



The drive letter for your CD drive may differ from the example above depending upon your system - it may be 'D:' or 'E:' or 'F:' etc.

---

## 9. Select the correct folder name of your monitor from provided driver list, and click **Next**.

This will copy and install the appropriate monitor driver files to your computer.

## 10. Click **Close**.

You may be prompted to restart your computer after the driver update is complete.

# How to install on Windows Vista systems

1. Open **Display Settings**.

Right-click the desktop and select **Personalize** from the popup menu.

Select **Display Settings** from the **Personalize appearance and sounds** window.

The **Display Settings** window will display.

2. Click the **Advanced Settings** button.

The **Generic PnP Monitor Properties** window will display.

3. Click the **Monitor** tab and the **Properties** button.

4. Click **Continue** in the prompted **User Account Control** window.

5. Click the **Driver** tab and the **Update Driver** button.

6. Insert the BenQ LCD Monitor CD-ROM into a CD drive on the computer.

7. In the **Update Driver Software** window, select the option **Browse my computer for driver software**.

8. Click **Browse** and navigate to the following directory: d:\BenQ\_LCD\Driver\ (where d is the drive letter designator for the CD-ROM drive).



The drive letter for your CD drive may differ from the example above depending upon your system – it may be 'D:' or 'E:' or 'F:' etc.

---

9. Select the correct folder name of your monitor from provided driver list, and click **Next**.

This will copy and install the appropriate monitor driver files to your computer.

10. Click **Close**.

You may be prompted to restart your computer after the driver update is complete.

# Picture optimization

The easiest way to obtain an optimal display from an analog (D-Sub) input is to use the **AUTO** key function. Press the **AUTO** key to optimize the currently displayed image to the screen.



When you connect a digital input signal using a digital (DVI or HDMI) cable to your monitor, the **AUTO** key and the Auto Adjustment function will be disabled, because the monitor will automatically display the best image.



Please ensure that the connected graphic card on your computer is set to the native resolution of the monitor when you use the **AUTO** key function.

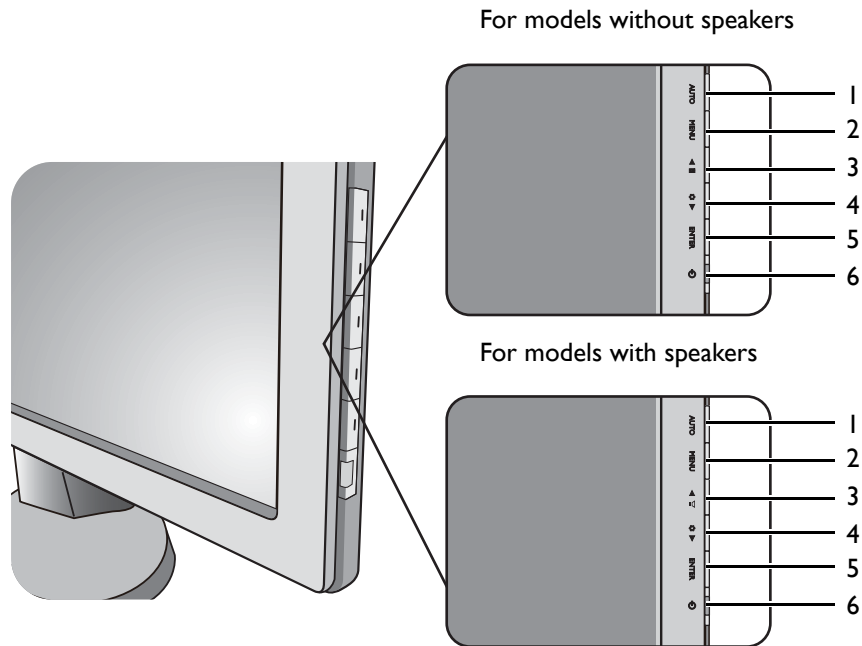
---

If you wish, you can always adjust the screen geometric settings manually using geometry menu items. To assist you in this endeavour, BenQ has provided a screen test image utility which you can use to check for screen color, grayscale and line gradient display.

1. Run the test program auto.exe from CD-ROM. You could also use any other image, such as the desktop of your operating system. However, we recommend that you use auto.exe. As you run auto.exe, a test pattern displays.
2. Press the **AUTO** key on the monitor.
3. Press the **MENU** key to access the monitor On-Screen Display (OSD) menu.
4. Use the **▲** or **▼** keys to select **DISPLAY** and press the **ENTER** key to enter the menu.
5. If you notice a vertical noise (like a curtain effect-shimmering of vertical lines), press the **▲** or **▼** keys to select **Pixel Clock** and press the **ENTER** key. Then press the **▲** or **▼** keys to adjust the monitor until the noise disappears.
6. If you notice a horizontal noise, press the **▲** or **▼** keys to select **Phase** and press the **ENTER** key. Then press the **▲** or **▼** keys to adjust the monitor until the noise disappears.

# How to adjust your monitor

## The control panel



1. **AUTO:** Adjusts vertical position, phase, horizontal position and pixel clock automatically.
2. **MENU** key: Activates OSD main menu and return to the previous menu or exit OSD.
3. **▲/Display Mode** key (for models without speakers): For Up/Increase adjustment. The key is the hot key for Display Mode.  
**▲/Volume** key (for models with speakers): For Up/Increase adjustment. The key is the hot key for Volume.
4. **▼/Mode** key: For Down/Decrease adjustment. The key is the hot key for Mode.
5. **ENTER** key: Enters sub menus and select items. For models with DVI inputs, this key is also the hot key for Input.
6. **Power:** Turns the power on or off.



OSD = On Screen Display.

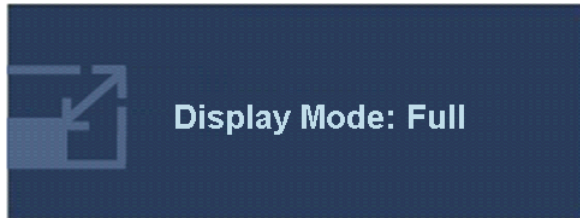
The hot keys will display a graduated scale for adjusting the value of that setting, and will only operate while the OSD menu is not currently displaying. Hot key displays will disappear after a few seconds of no key activity. See [Hot key mode on page 25](#).



## Hot key mode

The monitor keys perform as hot keys to provide direct access to particular functions whenever the menu isn't currently displaying on-screen.

### Display Mode hot key (for models without speakers)



Press the ▲ key continually to switch between **Full** and **Aspect**. The setting will take effect immediately.

See also [Display Mode on page 32](#).

### Volume hot key (for models with speakers)

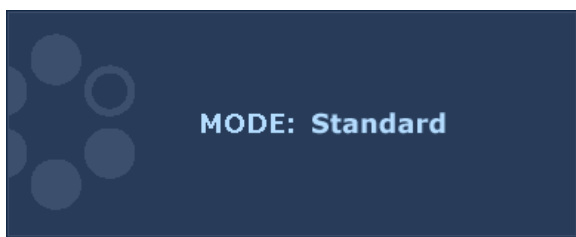


Press the ▲ key to display the **Volume** indicators. Further press the ▲ key will increase the volume, while the ▼ key will decrease the volume.



To Mute, press the Volume hot key for 3 seconds. To release Mute, press the Volume hot key for 3 more seconds.

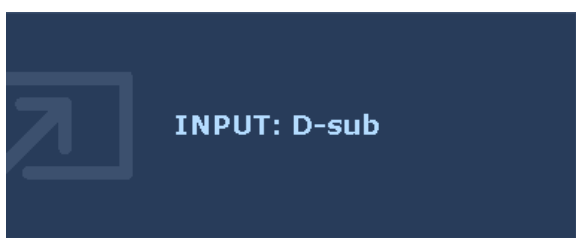
### Mode hot key



Press the ▼ key continually to switch between the 6 modes for the main window, including **Standard**, **Movie**, **Game**, **Photo**, **sRGB**, and **Eco**. The setting will take effect immediately.

See also [Picture Mode on page 31](#).

### Input hot key (not available for analog-only models)



Press the **ENTER** key to toggle between different PC video signal inputs that may be connected to your monitor.

The setting will take effect immediately.

See also [Input on page 35](#).

## Main menu mode

You can use the OSD (On Screen Display) menu to adjust all the settings on your monitor.

Available menu options may vary depending on the input sources, functions and settings. Menu options that are not available will become grayed out.

Press the **MENU** key to display the following main OSD menu.



Depending on your purchased model, different OSD menus are available.

1. Display
2. Picture
3. Picture Advanced
4. Audio (for models with speakers)
5. System

Use the ▲ (up) or ▼ (down) keys to highlight a menu item, and press the **ENTER** key to enter the Menu item settings.



The OSD menu languages may differ from the product supplied to your region, see “[Language on page 36](#)” under “OSD Settings” for more details.

For more information on each menu, please refer to the following pages:


- [Display menu on page 27](#)
- [Picture menu on page 29](#)
- [Picture Advanced menu on page 31](#)
- [Audio menu on page 34](#)
- [System menu on page 35](#)

## Display menu

Available menu options may vary depending on the input sources, functions and settings. Menu options that are not available will become grayed out.



1. Press the **MENU** key to display the main menu.
2. Press the **▲** or **▼** keys to select **DISPLAY** and then press the **ENTER** key to enter the menu.
3. Press the **▲** or **▼** keys to move the highlight to a menu item and then press the **ENTER** key to select that item.
4. Press the **▲** or **▼** keys to make adjustments or selections.
5. To return to the previous menu, press the **MENU** button.

| Item            | Function   | Operation   | Range    |
|-----------------|--|---|----------|
| Auto Adjustment | Optimizes and adjusts the screen settings automatically for you. The <b>AUTO</b> key is a 'hot key' for this function.<br><br> When you connect a digital video output using a digital (DVI or HDMI) cable to your monitor, the <b>AUTO</b> key and the <b>Auto Adjustment</b> function will be disabled. | Press the <b>ENTER</b> key to select this option and make adjustment. |          |
| H. Position     | Adjusts the horizontal position of the screen image.   | Press the <b>▲</b> or <b>▼</b> keys to adjust the value.              | 0 to 100 |
| V. Position     | Adjusts the vertical position of the screen image.   |   | 0 to 100 |
| Pixel Clock     | Adjusts the pixel clock frequency timing to synchronize with the analog input video signal.<br>Not applicable to a digital input signal.<br><br>See also: <a href="#">Picture optimization on page 23</a> .  |   | 0 to 100 |

| Item  | Function   | Operation                                  | Range   |
|-------|--|--|---------|
| Phase | <p>Adjusts the pixel clock phase timing to synchronize with the analog input video signal. Not applicable to a digital input signal.</p> <p>See also: <a href="#">Picture optimization on page 23</a>.</p> | Press the ▲ or ▼ keys to adjust the value. | 0 to 63 |

## Picture menu

Available menu options may vary depending on the input sources, functions and settings. Menu options that are not available will become grayed out.



1. Press the **MENU** key to display the main menu.
2. Press the **▲** or **▼** keys to select **PICTURE** and then press the **ENTER** key to enter the menu.
3. Press the **▲** or **▼** keys to move the highlight to a menu item and then press the **ENTER** key to select that item.
4. Press the **▲** or **▼** keys to make adjustments or selections.
5. To return to the previous menu, press the **MENU** button.

| Item       | Function   | Operation   | Range    |
|------------|--|---|----------|
| Brightness | Adjusts the balance between light and dark shades.                                   | Press the <b>▲</b> key to increase the brightness and press the <b>▼</b> key to decrease the brightness.  | 0 to 100 |
| Contrast   | Adjusts the degree of difference between darkness and lightness.                     | Press the <b>▲</b> key to increase the contrast and press the <b>▼</b> key to decrease the contrast.  | 0 to 100 |
| Sharpness  | Adjusts the clarity and visibility of the edges of the subjects in the image.        | Press the <b>▲</b> key to improve the crispness of the display and press the <b>▼</b> key to have softness effect on the display.                       | 1 to 5   |
| Gamma      | Adjusts the tone luminance. The default value is 3 (the standard value for Windows). | Press the <b>▲</b> key to increase the gamma value (tone becomes darker) and press the <b>▼</b> key to decrease the gamma value (tone becomes lighter). | 1~ 5     |

| Item   | Function  | Operation   | Range   |
|--|---|---|---|
| <b>Color</b> - Press <b>ENTER</b> to enter the Color menu. |   |   |   |
| Color Temperature  | Normal: Allows video and still photographs to be viewed with natural coloring. This is the factory default color.   | Press the ▲ or ▼ keys to select this option.  |   |
|  | Bluish: Applies a cool tint to the image and is factory pre-set to the PC industry standard white color.  |   |   |
|  | Reddish: Applies a warm tint to the image and is factory pre-set to the news print standard white color.  |   |   |
|  | User Mode: The blend of the Red, Green and Blue primary colors can be altered to change the color tint of the image. Go to the succeeding <b>Red</b> , <b>Green</b> , and <b>Blue</b> menus to change the settings.   | Press the ▲ or ▼ keys and the <b>ENTER</b> key to select <b>Red</b> , <b>Green</b> , or <b>Blue</b> . Then use the ▲ or ▼ keys to make the color adjustments. |   |
| Red  | Tailors the image color tint. Decreasing one or more of the colors will reduce their respective influence on the color tint of the image. (e.g. if you reduce the Blue level the image will gradually take on a yellowish tint. If you reduce Green, the image will become a magenta tint.) | Press the ▲ or ▼ keys to adjust the value.  | 0 to 100  |
| Green  |   |   |   |
| Blue   |   |   |   |
| Hue  | Adjusts the degree of how we perceive colors.   | Press the ▲ or ▼ keys to adjust the value.  | 0 to 100  |
| Saturation   | Adjusts the purity degree of colors.  | Press the ▲ or ▼ keys to adjust the value.  | 0 to 100  |
| Reset Color  | Resets the custom color settings to the factory defaults.   | Press the ▲ or ▼ keys to change the settings.   | <ul style="list-style-type: none"> <li>• YES</li> <li>• NO</li> </ul> |
| Press <b>MENU</b> to leave the Color menu.                 |   |   |   |
| AMA (for models with HDMI inputs)                          | Improves the gray level response time of the LCD panel.   | Press the ▲ or ▼ keys to change the settings.   | <ul style="list-style-type: none"> <li>• ON</li> <li>• OFF</li> </ul> |



## Picture Advanced menu

Available menu options may vary depending on the input sources, functions and settings. Menu options that are not available will become grayed out.




1. Press the **MENU** key to display the main menu.
2. Press the **▲** or **▼** keys to select **PICTURE ADVANCED** and then press the **ENTER** key to enter the menu.
3. Press the **▲** or **▼** keys to move the highlight to a menu item and then press the **ENTER** key to select that item.
4. Press the **▲** or **▼** keys to make adjustments or selections.
5. To return to the previous menu, press the **MENU** button.

| Item         | Function  | Operation   | Range   |
|--------------|---|---|---|
| Picture Mode | <p>Selects a picture mode that best suits the type of images shown on the screen.</p> <ul style="list-style-type: none"> <li>• Standard - for basic PC application.</li> <li>• Movie - for viewing videos.</li> <li>• Game - for playing video games.</li> <li>• Photo - for viewing still images.</li> <li>• sRGB - for better color matching representation with the peripheral devices, such as printers, DSCs, etc.</li> <li>• Eco - for saving electricity with low power consumption by providing minimum brightness for all running programs.</li> </ul> | Press the <b>▲</b> or <b>▼</b> keys to change the settings. | <ul style="list-style-type: none"> <li>• Standard</li> <li>• Movie</li> <li>• Game</li> <li>• Photo</li> <li>• sRGB</li> <li>• Eco</li> </ul> |

| Item             | Function   | Operation  | Range  |
|------------------|--|--|--|
| Senseye Demo     | Displays the preview of screen images under the selected mode from Picture Mode. The screen will be divided into two windows; the left window demonstrates images of Standard mode, while the right window presents the images under the specified mode.   | Press the ▲ or ▼ keys to change the settings.  | <ul style="list-style-type: none"> <li>• ON</li> <li>• OFF</li> </ul>                          |
| Dynamic Contrast | The function is to automatically detect the distribution of an input visual signal, and then to create the optimal contrast.   | Press the <b>ENTER</b> key to select this option. Press the ▲ or ▼ keys to change the settings.  | 0 to 5   |
| Display Mode     | <p>This feature is provided to allow aspect ratios other than 16:9 or 16:10 (depending on the purchased model) to be displayed without geometric distortion.</p> <ul style="list-style-type: none"> <li>• Overscan - Slightly enlarges the input image. Use this feature to hide annoying edge noise if present around your image.</li> <li>• Full - Scales the input image to fill the screen. Ideal for 16:9 or 16:10 (depending on the purchased model) aspect images.</li> <li>• Aspect - The input image is displayed without geometric distortion filling as much of the display as possible. Depending on the purchased model, 16:9 or 16:10 images will fill the screen horizontally while 4:3 or 5:4 images will fill the screen vertically.</li> </ul> <p> To find out the monitor aspect ratio of the purchased model, please check the Specification document on the provided CD.</p> | <p>Press the ▲ or ▼ keys to change the settings.</p> <p> The options under <b>Display Mode</b> will be different depending on the input signal sources.</p> | <ul style="list-style-type: none"> <li>• Overscan</li> <li>• Full</li> <li>• Aspect</li> </ul> |



| Item  | Function  | Operation   | Range   |
|---|---|---|---|
| Color Format                                    | <p>Determines the color space (RGB or YUV) based on the following detected video signal:</p> <ul style="list-style-type: none"> <li>• D-Sub (VGA) from PC: The default Color Format is RGB.</li> <li>• D-Sub (Component) from a video device: The default Color Format is YUV.</li> </ul> <p> You might need to manually set the Color Format if colors shown on the monitor screen do not display properly.</p> <ul style="list-style-type: none"> <li>• DVI (for models with DVI inputs): Color Format is automatically set to RGB.</li> <li>• HDMI (for models with HDMI inputs): Color Format is not selectable. In other words, Color Format is automatically set depending on the input video source.</li> </ul> | Press the <b>ENTER</b> key to select this option. Press the <b>▲</b> or <b>▼</b> keys to change the settings. | <ul style="list-style-type: none"> <li>• RGB</li> <li>• YUV</li> </ul>                      |
| HDMI RGB PC Range (for models with HDMI inputs) | Determines the range of color scales. Select an option that matches the RGB range setting on the connected HDMI device.   | Press the <b>ENTER</b> key to select this option. Press the <b>▲</b> or <b>▼</b> keys to change the settings. | <ul style="list-style-type: none"> <li>• RGB (0 ~ 255)</li> <li>• RGB (16 ~ 235)</li> </ul> |

# Audio menu

Available menu options may vary depending on the input sources, functions and settings. Menu options that are not available will become grayed out.

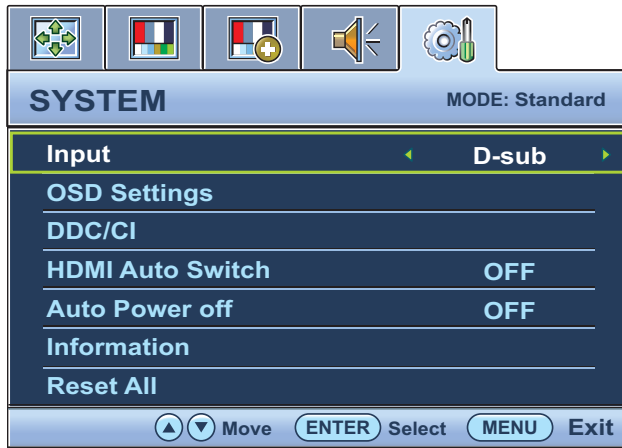


1. Press the **MENU** key to display the main menu.
2. Press the ▲ or ▼ keys to select **AUDIO** and then press the **ENTER** key to enter the menu.
3. Press the ▲ or ▼ keys to move the highlight to a menu item and then press the **ENTER** key to select that item.
4. Press the ▲ or ▼ keys to make adjustments or selections.
5. To return to the previous menu, press the **MENU** button.


| Item                                       | Function  | Operation  | Range   |
|--|---|--|---|
| Volume                                     | Adjusts the audio volume  | Press the ▲ key to increase the volume and press the ▼ key to decrease the volume. | 0 ~ 100   |
| Mute                                       | Mutes the audio input   | Press the ▲ or ▼ keys to change the settings.                                      | <ul style="list-style-type: none"> <li>• ON</li> <li>• OFF</li> </ul>                                     |
| Audio Select (for models with HDMI inputs) | Allow users to select the audio source or let the monitor detect it automatically | Press the ▲ or ▼ keys to change the settings.                                      | <ul style="list-style-type: none"> <li>• Auto Detect</li> <li>• PC Audio</li> <li>• HDMI Audio</li> </ul> |


## System menu


Available menu options may vary depending on the input sources, functions and settings. Menu options that are not available will become grayed out.



1. Press the **MENU** key to display the main menu.
2. Press the ▲ or ▼ keys to select **SYSTEM** and then press the **ENTER** key to enter the menu.
3. Press the ▲ or ▼ keys to move the highlight to a menu item and then press the **ENTER** key to select that item.
4. Press the ▲ or ▼ keys to make adjustments or selections.
5. To return to the previous menu, press the **MENU** button.

| Item  | Function  | Operation                                     | Range  |
|---|---|---|--|
| Input   | Use this to change the input to that appropriate to your video cable connection type.<br> Analog-only models do not have the Input function. | Press the ▲ or ▼ keys to change the settings. | <ul style="list-style-type: none"> <li>• DVI</li> <li>• D-sub (VGA)</li> <li>• HDMI (for models with HDMI inputs)</li> </ul> |
| <b>OSD Settings</b> - Press <b>ENTER</b> to enter the <b>OSD Settings</b> menu. |   |   |  |

| Item         | Function   | Operation  | Range   |
|--------------|--|--|---|
| Language     | Sets the OSD menu language.                      | <p>Press the ▲ or ▼ keys to change the settings.</p> <p> The language options displayed on your OSD may differ from those shown on the right, depending on the product supplied in your region.</p> | <ul style="list-style-type: none"> <li>• English</li> <li>• French</li> <li>• German</li> <li>• Italian</li> <li>• Spanish</li> <li>• Polish</li> <li>• Japanese</li> <li>• Czech</li> <li>• Traditional Chinese</li> <li>• Hungarian</li> <li>• Simplified Chinese</li> <li>• Serbo-Croatian</li> <li>• Romanian</li> <li>• Dutch</li> <li>• Russian</li> <li>• Swedish</li> <li>• Portuguese</li> </ul> |
| H. Position  | Adjusts the horizontal position of the OSD menu. | Press the ▲ or ▼ keys to change the settings.  | 0 to 100  |
| V. Position  | Adjusts the vertical position of the OSD menu.   |  | 0 to 100  |
| Display Time | Adjusts the display time of the OSD menu.        |  | <ul style="list-style-type: none"> <li>• 5 Sec.</li> <li>• 10 Sec.</li> <li>• 15 Sec.</li> <li>• 20 Sec.</li> <li>• 25 Sec.</li> <li>• 30 Sec.</li> </ul>   |

| Item   | Function   | Operation   | Range   |
|--|--|---|---|
| OSD Lock   | Prevents all the monitor settings from being accidentally changed. When this function is activated, the OSD controls and hotkey operations will be disabled. | <p>Press the ▲ or ▼ keys to change the settings.</p> <p> To unlock the OSD controls when the OSD is preset to be locked, press and hold the <b>MENU</b> key for 15 seconds to enter the <b>OSD Lock</b> option and make changes. Alternatively, you may use the ▲ or ▼ keys to select <b>NO</b> in the <b>OSD Lock</b> submenu from the <b>OSD Settings</b> menu, and all OSD controls will be accessible.</p> | <ul style="list-style-type: none"> <li>• YES</li> <li>• NO</li> </ul>   |
| Press <b>MENU</b> to leave the <b>OSD Settings</b> menu. |  |   |   |
| DDC/CI*  | Allows the monitor settings to be set through the software on the PC.  | Press the <b>ENTER</b> key to select this option. Press the ▲ or ▼ keys to change the settings.   | <ul style="list-style-type: none"> <li>• ON</li> <li>• OFF</li> </ul>   |
| HDMI Auto Switch<br>(for models with HDMI inputs)        | When this function is activated, HDMI port will be in the input auto select loop. Otherwise, HDMI can only be selected by input select or by hot key.        | Press the <b>ENTER</b> key to select this option. Press the ▲ or ▼ keys to change the settings.   | <ul style="list-style-type: none"> <li>• ON</li> <li>• OFF</li> </ul>   |
| Auto Power off   | Sets the time to power off the monitor automatically in power saving mode.   | Press the <b>ENTER</b> key to select this option. Press the ▲ or ▼ keys to change the settings.   | <ul style="list-style-type: none"> <li>• OFF</li> <li>• 10min.</li> <li>• 20min.</li> <li>• 30min.</li> </ul>   |
| Information  | Displays the current monitor property settings.  |   | <ul style="list-style-type: none"> <li>• Input</li> <li>• Current Resolution</li> <li>• Optimum Resolution (best with the monitor)</li> <li>• Model Name</li> </ul> |
| Reset All  | Resets all mode, color and geometry settings to the factory default values.  | Press the ▲ or ▼ keys to change the settings.   | <ul style="list-style-type: none"> <li>• YES</li> <li>• NO</li> </ul>   |



\*DDC/CI, short for Display Data Channel/Command Interface, which was developed by Video Electronics Standards Association (VESA). DDC/CI capability allows monitor controls to be sent via the software for remote diagnostics.

---

# Appendix: Assembling your monitor with a height adjustment stand (HAS)

## How to attach the monitor base

- 
- If the computer is turned on you must turn it off before continuing.  
Do not plug-in or turn-on the power to the monitor until instructed to do so.
  - The following illustrations are for your reference only. Available input and output jacks may vary depending on the purchased model.
- 

Please be careful to prevent damage to the monitor. Placing the screen surface on an object like a stapler or a mouse will crack the glass or damage the LCD substrate voiding your warranty. Sliding or scraping the monitor around on your desk will scratch or damage the monitor surround and controls.

Protect the monitor and screen by clearing a flat open area on your desk and placing a soft item like the monitor packaging bag on the desk for padding.

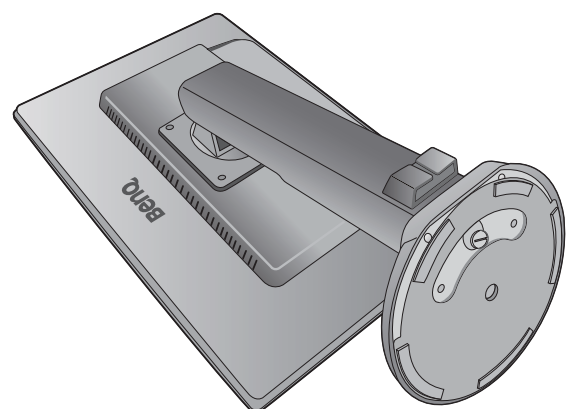
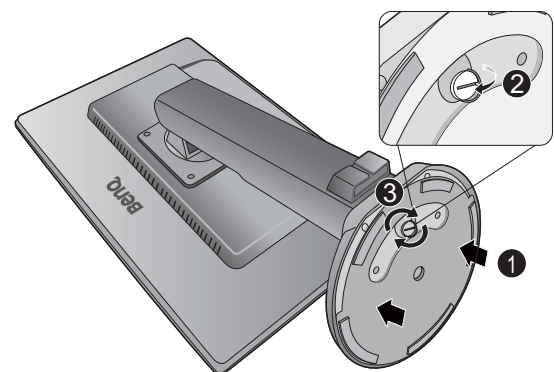
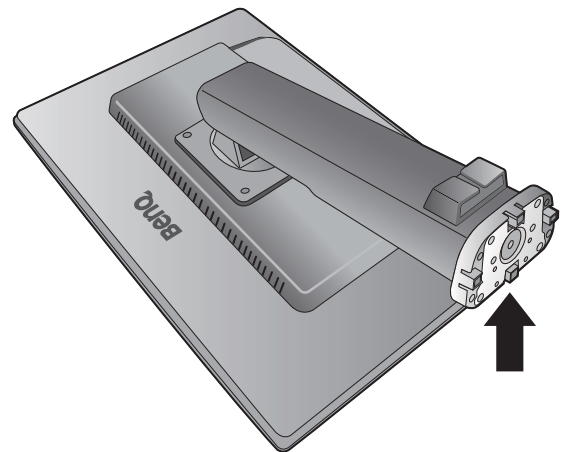
Gently lay the screen face down on a flat clean padded surface.

While holding the monitor firmly against the desk, pull the monitor stand arm upwards clear of the monitor.

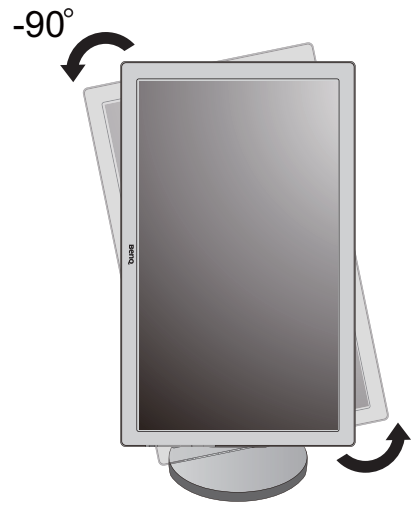
Orient and align the stand base socket with the end of the stand arm, then push them together. Tighten the thumbscrew on the bottom of the monitor base as illustrated.

Gently attempt to pull them back apart to check that they have properly engaged.

Carefully lift the monitor, turn it over and place it upright on its stand on a flat even surface.




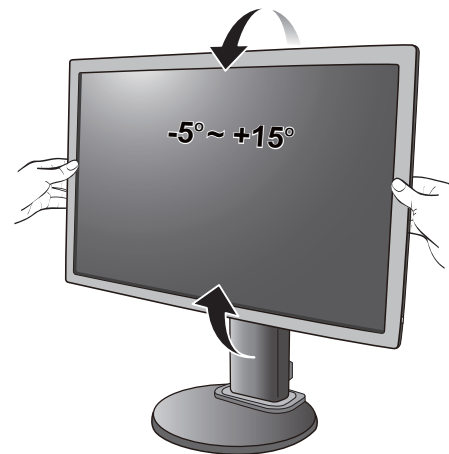
Extend the monitor to the maximum extended position. Then tilt the monitor. And rotate the monitor 90 degrees counterclockwise as illustrated.



You might want to adjust the monitor height. See [Adjusting the monitor height on page 42](#) for more information.




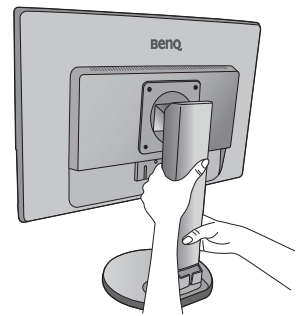
 You should position the monitor and angle the screen to minimize unwanted reflections from other light sources.





# How to detach the base

-  To move the monitor properly, you should extend the monitor to its maximum height, then place one hand on the upper part of the monitor stand and the other hand on the lower part of the stand as illustrated.

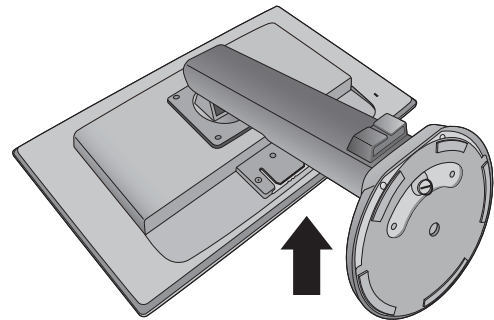



## 1. Prepare the monitor and area.

Turn off the monitor and the power before unplugging the power cable. Turn off the computer before unplugging the monitor signal cable.

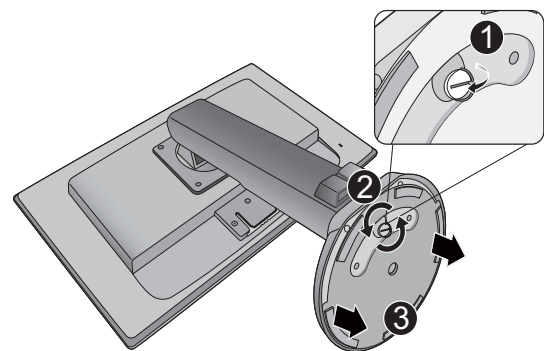
Gently lift the display up and extend the stand to the maximum extended position.

Protect the monitor and screen by clearing a flat open area on your desk and placing a soft item like a towel on the desk for padding, before laying the screen face down on a flat clean padded surface.



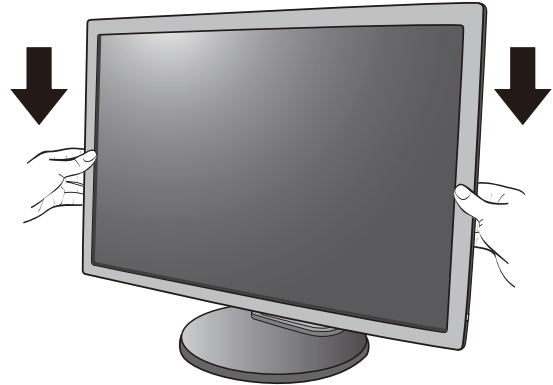
-  Please be careful to prevent damage to the monitor. Placing the screen surface on an object like a stapler or a mouse will crack the glass or damage the LCD substrate voiding your warranty. Sliding or scraping the monitor around on your desk will scratch or damage the monitor surround and controls.

## 2. Release the thumbscrew on the bottom of the monitor base and detach the monitor base as illustrated.

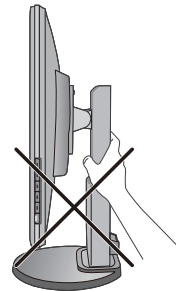


## Adjusting the monitor height

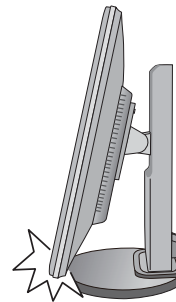
To adjust the monitor height, hold both the left and the right sides of the monitor to lower the monitor or lift it up to the desired height.



- Avoid placing hands on the upper or lower part of the height-adjustable stand or at the bottom of the monitor, as ascending or descending monitor might cause personal injuries. Keep children out of reach of the monitor while performing this operation.



- If the monitor has been rotated to portrait mode and height adjustment is desired, you should be noted that the wide screen will keep the monitor from being lowered to its minimum height.




# Rotating the monitor

## 1. Pivot the display.


Before rotating the monitor with a portrait viewing orientation, the display has to be rotated 90 degrees.

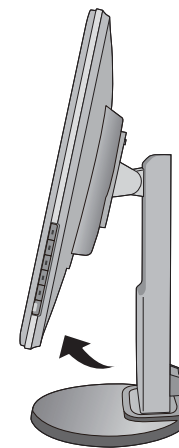
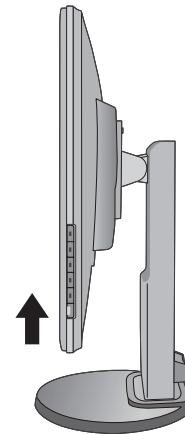
Right-click the desktop and select **Screen resolution** from the popup menu. Select **Portrait in Orientation**, and apply the setting.

 Depending on the operating system on your PC, different procedures should be followed to adjust the screen orientation. Refer to the help document of your operating system for details.


## 2. Fully extend the monitor and tilt it.

Gently lift the display up and extend it to the maximum extended position. Then tilt the monitor.

 The monitor should be vertically extended to allow the monitor to rotate from landscape to portrait mode.



## 3. Rotate the monitor 90 degrees clockwise as illustrated.

 To avoid the edge of the LCD display hitting the monitor base surface while it is being rotated, do tilt and extend the monitor to the highest position before you start to rotate the display. You should also make sure there are no obstacles around the monitor and there is enough room for cables. You might need to route the cables again via the cable clip after the rotation.

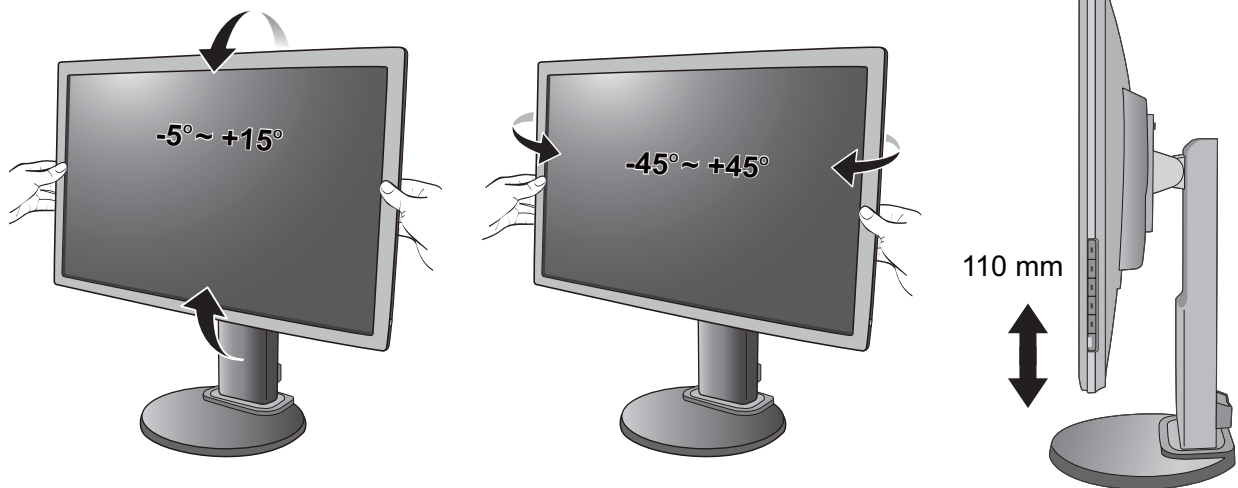


4. Adjust the monitor to the desired viewing angle.



### Viewing angle adjustment

You may position the screen to the desired angle with  $-5^{\circ}$  to  $+15^{\circ}$  monitor tilt,  $90^{\circ}$  (left and right total) monitor swivel, and 110 mm monitor height.



## Using the monitor wall mounting kit

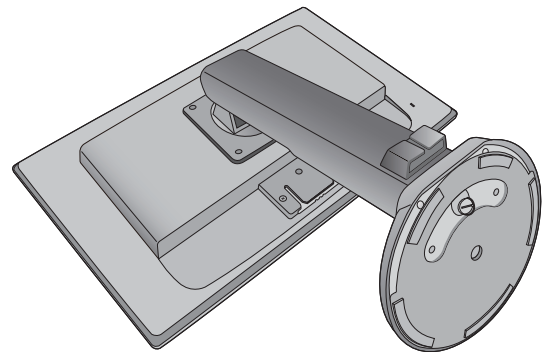
The back of your LCD monitor has a VESA standard mount with 100mm pattern, allowing the installation of a wall mount bracket. Before starting to install a monitor wall mounting kit, please read the precautions carefully.

Precautions:

- Install your monitor and monitor mounting kit on a wall with flat surface.
- Ensure that the wall material is stable to support the weight of the monitor.
- Turn off the monitor and the power before disconnecting the cables from the LCD monitor.

### 1. Remove the monitor base.

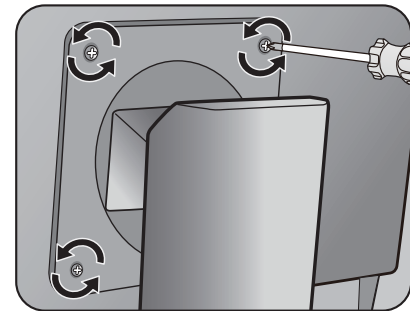
Lay the screen face down on a clean and well-padded surface. Detach the monitor base as instructed in [How to detach the base on page 41](#).




### 2. Remove the monitor stand.

Use a cross-pointed screwdriver to release the screws that fixing the monitor stand to the monitor. The use of a magnetic-head screwdriver is recommended to avoid losing the screws.

Then pull the monitor stand backward away from the monitor.



 In case you intend to use your monitor on the stand in the future, please keep the monitor base, monitor stand, and screws somewhere safe for future use.

### 3. Follow the instruction manuals of the wall mount bracket you purchased to complete the installation.

# Troubleshooting

## Frequently asked questions (FAQ)

- ② The image is blurred:
- ☞ Read the instructions on the link "Adjusting the Screen Resolution" on the CD, and then select the correct resolution, refresh rate and make adjustments based on these instructions
- ② How do you use a VGA extension cable?
- ☞ Remove the extension cable for the test. Is the image now in focus? If not, optimize the image by working through the instructions in the "Adjusting the refresh rate" section on the link "Adjusting the Screen Resolution". It is normal for blurring to occur due to conduction losses in extension cables. You can minimize these losses by using an extension cable with better conduction quality or with a built-in booster.
- ② Does the blurring only occur at resolutions lower than the native (maximum) resolution?
- ☞ Read the instructions on the link "Adjusting the Screen Resolution" on the CD. Select the native resolution.
- ② Pixel errors can be seen:
- ☞ One of several pixels is permanently black, one or more pixels are permanently white, one or more pixels are permanently red, green, blue or another color.
- Clean the LCD screen.
  - Cycle power on-off.
  - These are pixels that are permanently on or off and is a natural defect that occurs in LCD technology.
- ② The image has a faulty coloration:
- ☞ It has a yellow, blue or pink appearance.  
Select **MENU > PICTURE > Color > Reset Color**, and then choose "YES" in the "Caution" message box to reset the color settings to the factory defaults.  
If the image is still not correct and the OSD also has faulty coloration, this means one of the three primary colors is missing in the signal input. Now check the signal cable connectors. If any pin is bent or broken off, please contact your dealer to get necessary support.
- ② No image can be seen:
- ☞ Is the prompt on the display illuminated in green?  
If the LED is illuminated in green and there is a message "Out of Range" on the screen, this means you are using a display mode that this monitor does not support, please change the setting to one of the supported mode. Please read the "Preset display modes" section from the link "Adjusting the Screen Resolution".
- ② Faint shadow from the static image displayed is visible on the screen:
- ☞
- Activate the power management function to let your computer and monitor go into a low power "sleep" mode when not actively in use.
  - Use a screensaver to prevent the occurrence of image retention.

- ② Is the prompt on the display illuminated in orange?
- ☞ If the LED is illuminated in orange, the power management mode is active. Press any button on the computer keyboard or move the mouse. If that does not help, check the signal cable connectors. If any pin is bent or broken off, please contact your dealer to get necessary support.
- ② Is the prompt on the display not illuminated at all?
- ☞ Check the power supply mains socket, the external power supply and the mains switch.
- ② The image is distorted, flashes or flickers:
- ☞ Read the instructions on the link "Adjusting the Screen Resolution" on the CD, and then select the correct resolution, refresh rate and make adjustments based on these instructions.
- ② You are running the monitor at its native resolution, but the image is still distorted.
- ☞ Images from different input sources may appear distorted or stretched on the monitor running at its native resolution. To have the optimal display performance of each type of input sources, you can use the "Display Mode" function to set a proper aspect ratio for the input sources. See [Display Mode on page 32](#) for details.
- ② The image is displaced in one direction:
- ☞ Read the instructions on the link "Adjusting the Screen Resolution" on the CD, and then select the correct resolution, refresh rate and make adjustments based on these instructions.
- ② The OSD controls are inaccessible:
- ☞
  - To unlock the OSD controls when the OSD is preset to be locked, press and hold the "MENU" key for 15 seconds to enter the "OSD Lock" option and make changes.
  - Alternatively, you may use the ▲ or ▼ keys to select "NO" in the "OSD Lock" submenu from the "OSD Settings" menu (under **SYSTEM**), and all OSD controls will be accessible.
- ② No sound can be heard from the built-in speakers (for models with speakers only):
- ☞
  - Check whether Line In is properly connected.
  - Increase the volume (volume may be muted or too low).
  - Remove your headphone and/or external speakers. (If they are connected to the monitor, the built-in speakers are automatically muted.)
- ② No sound can be heard from the connected external speakers (for models with speakers only):
- ☞
  - Remove your headphone (if the headphone is connected to the monitor).
  - Check whether the headphone jack is properly connected.
  - If the external speakers are USB-powered, check whether the USB connection is OK.
  - Increase the volume (volume may be muted or too low) on the external speakers.

## Need more help?

If your problems remain after checking this manual, please contact your place of purchase or e-mail us at: [Support@BenQ.com](mailto:Support@BenQ.com).