

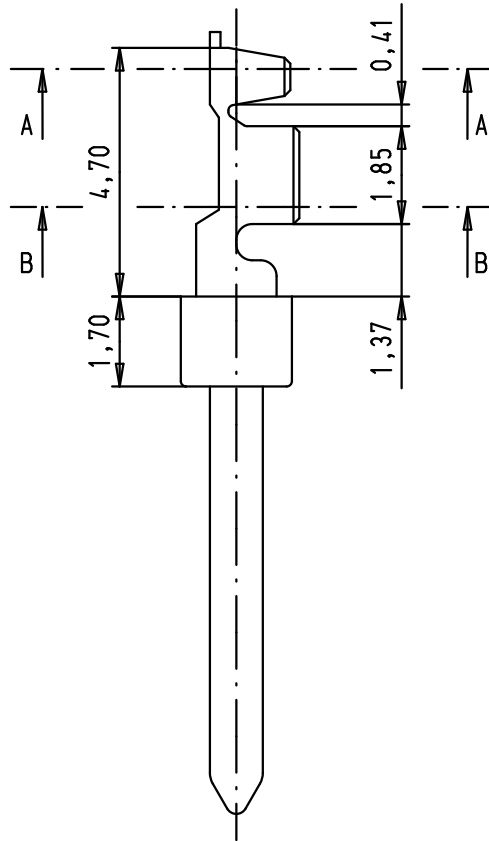
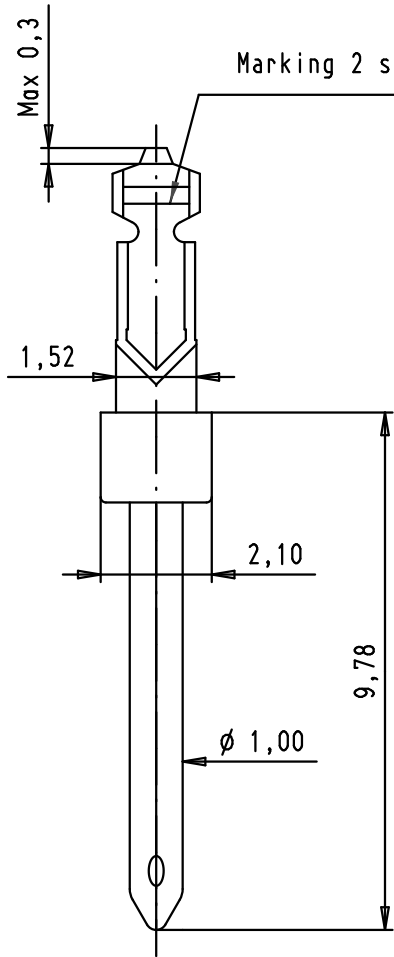
5

4

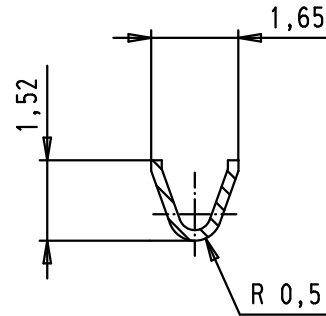
3

2

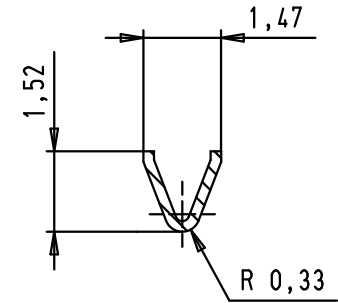
1



Section A-A



Section B-B

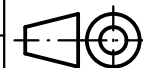


Base material: brass
 Plating: sliding contact selective gold plated over nickel
 nickel plated crimp area
 Number of contacts per bag: 500

A

| | |
|----------------|-------------------|
| 09 67 000 7178 | PL2 |
| 09 67 000 7177 | PL3 |
| 09 67 000 7176 | PL1 |
| Part number | Performance level |

| | | | Det. | Name |
|-------|----------|------|-------------------------------|------|
| | | | 24/03/03 | PP |
| 36288 | 13/01/12 | SD | Insp. 13/01/12 | JB |
| 33937 | 01/03/07 | PK | Stand. | |
| 32716 | 18/02/05 | AL | | |
| 31475 | 24/03/03 | PP | | |
| Mod. | Det. | Name | HARTING EURL F-95972 Paris | |



All Dim. in mm
Orig. Size DIN A 4



D-Sub, stamped male
 AWG 24-28 crimp contact,
 bag packaging

TB 09 67 000 717X

Sub.

Maßstab/
Scale

7:1

Blatt/ Page

1 / 1