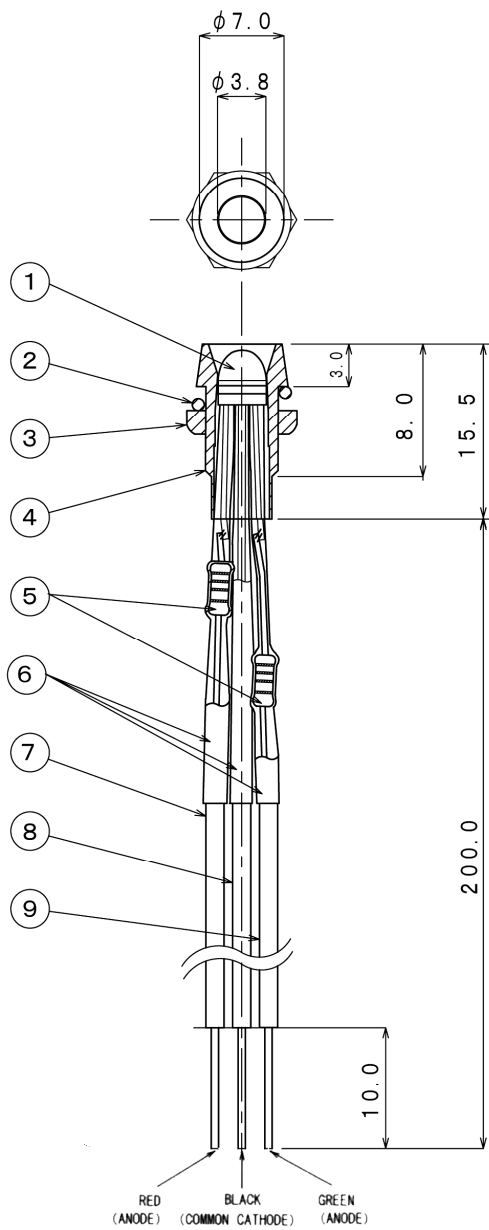
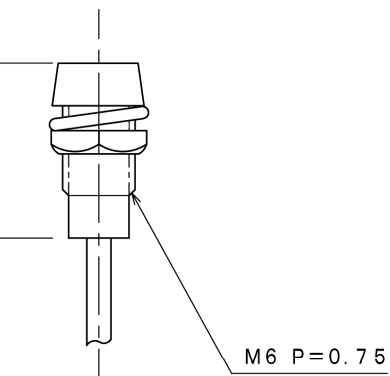




**MODEL NO. BD-0608B Red / Green (Dual Colour)
12 V / 24 V Black Body**



Unit: mm
(Tolerance: ±3%)



Mounting Hole ϕ 6.2

Name of Part	Material or Class	Colour or Finish
① Led	Polycarbonate	Red / Green (Dual)
② Spring Washer	SWP	Ni-3 (Plating)
③ Hex. Nut	BSBM2	Ni-3 (Plating)
④ Body	BSBM2	Black Painting
⑤ Resistor	1/2 W 680 Ω (12 V)	
	1/2 W 1.5k Ω (24 V)	
⑥ Insulation Tube	Hit-Tube	Black
⑦ Lead Wire	UL-1007#24	Red
⑧ Lead Wire	UL-1007#24	Black
⑨ Lead Wire	UL-1007#24	Green

DATA	
Insulation Resistance	DC 500 V 100M Ω or more
Dielectric strength	AC 1000 V / minute