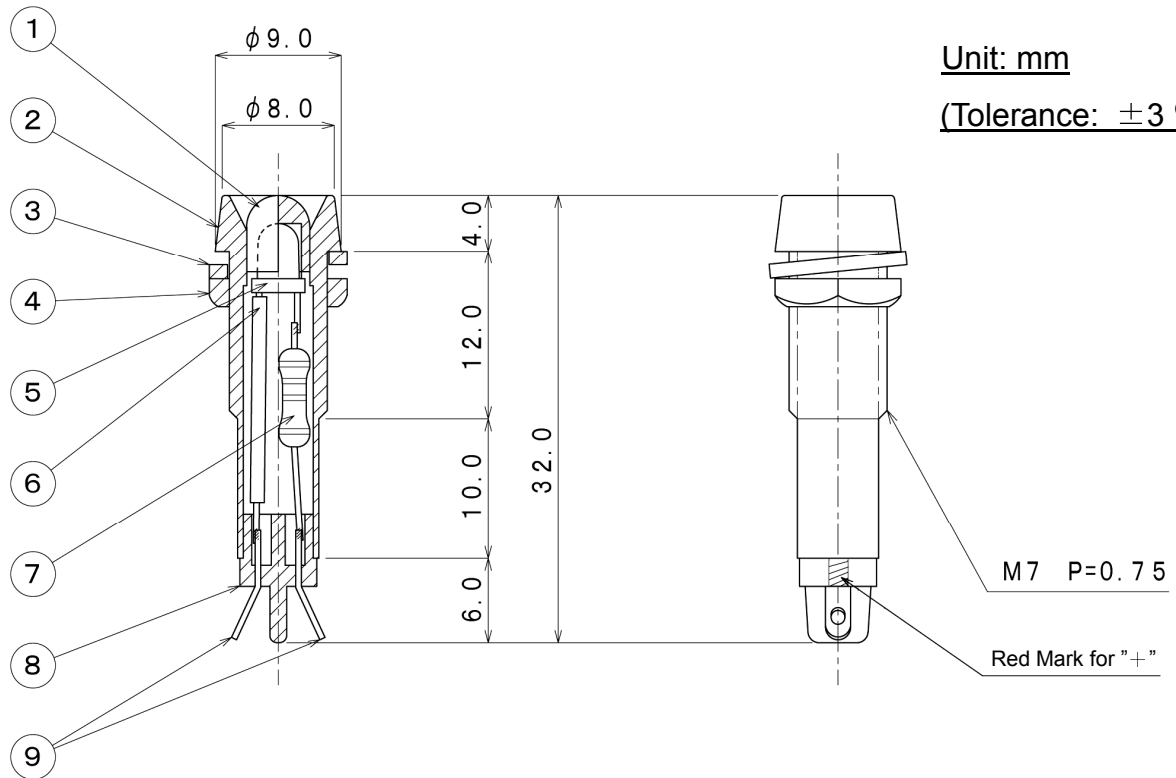




MODEL NO. BD-0701B Red, Green & Orange
12 V / 24 V Black Body



Unit: mm

(Tolerance: $\pm 3\%$)

Mounting Hole $\phi 7.2$

Name of Part	Material or Class	Colour or Finish
① Lens	Polycarbonate	Red, Green, Orange
② Body	BSBM2	Black Painting
③ Spring Washer	SWP	Ni-3 (Plating)
④ Hex. Nut	BSBM2	Ni-3 (Plating)
⑤ LED		Red, Green, Orange
⑥ Insulation Tube	Irrax Tube A	Black
⑦ Resistor	1/2 W 680 Ω (12 V)	
	1/2 W 1.5k Ω (24 V)	
⑧ Insulation Mould	Polycarbonate	Black
⑨ Terminals	Brass	Tin (Plating)

DATA	
Insulation Resistance	DC 500 V 100M Ω or more
Dielectric strength	AC 1000 V / minute

Distributed by Conrad Electronic SE, Hirschau, Germany