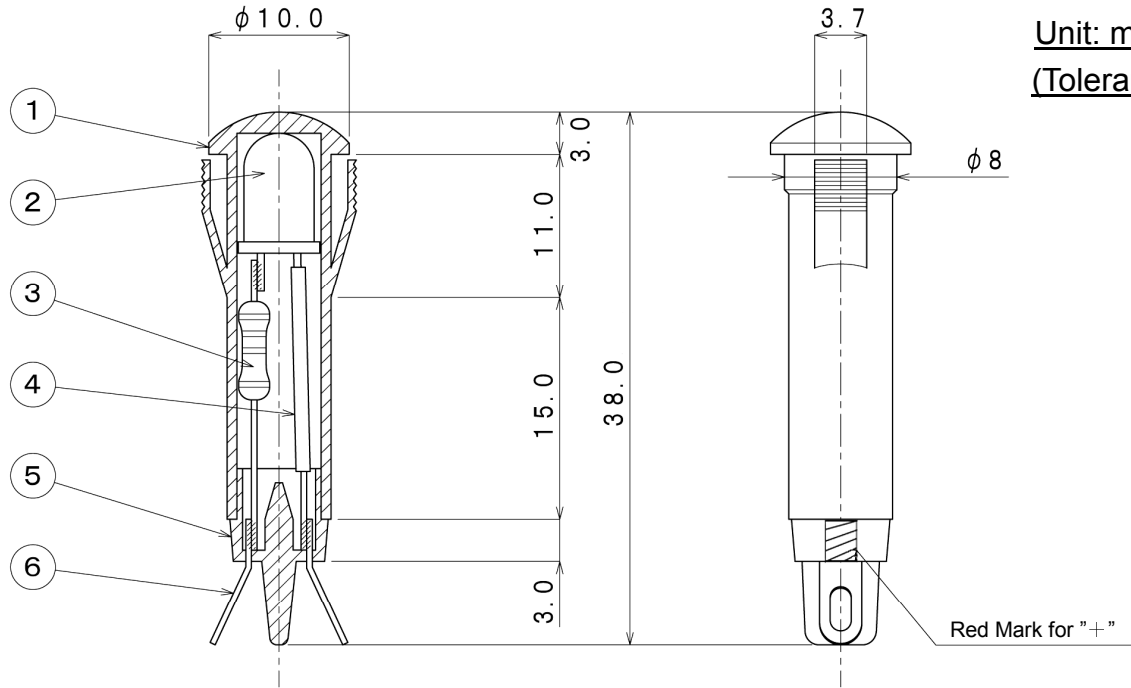
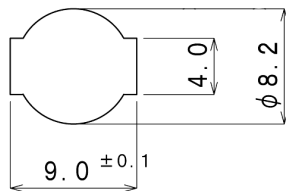




MODEL NO. BD-0819 Red, Green & Orange
12 V / 24 V



Unit: mm
 (Tolerance: ± 3 %)



Shape of Mounting Hole

Name of Part	Material or Class	Colour or Finish
① Body	Polycarbonate	Red, Green, Orange
② LED		Red, Green, Orange
③ Resistor	1/2 W 680 Ω (12 V)	
	1/2 W 1.5k Ω (24 V)	
④ Insulation Tube	Irrax Tube A	Black
⑤ Insulation Mould	Polycarbonate	Black
⑥ Terminals	Brass	Ni-3

DATA	
Insulation Resistance	DC 500 V 100M Ω or more
Dielectric strength	AC 1000 V / minute

Distributed by Conrad Electronic SE, Hirschau, Germany