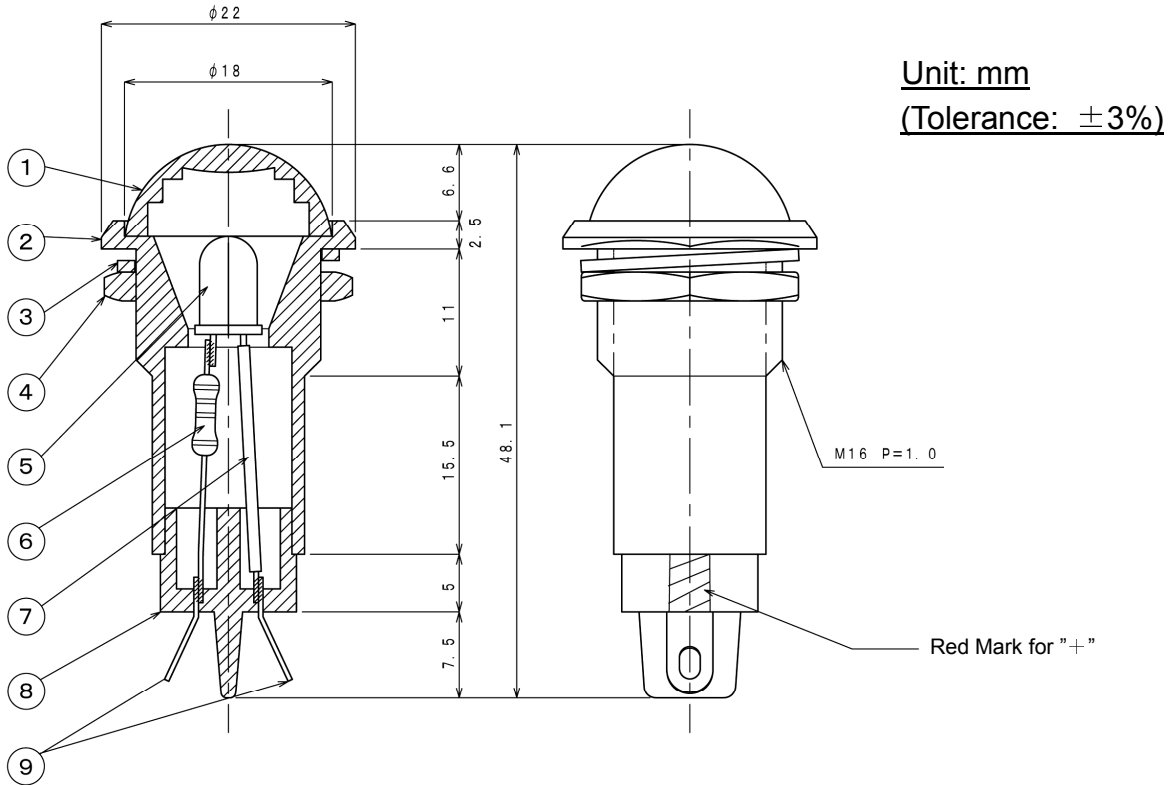


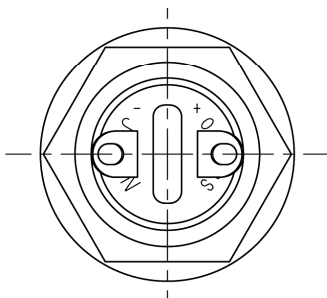


MODEL NO. BD-1601 Red, Green & Orange
12 V / 24 V Black Body



Unit: mm
(Tolerance: ±3%)

Mounting Hole ϕ 16.5



Name of Part	Material or Class	Colour or Finish
① Lens	Polycarbonate	Red, Green, Orange
② Body	Phenol resin	Black
③ Spring Washer	Fe	
④ Hex. Nut	Zn	
⑤ LED		Red, Green, Orange
⑥ Resistor	1/2 W 680 Ω (12 V)	
	1/2 W 1.5k Ω (24 V)	
⑦ Insulation Tube	Irrax Tube A	Black
⑧ Insulation Mould	Phenol resin	Black
⑨ Terminals	Brass	Ni-3 (Plating)

DATA	
Insulation Resistance	DC 500 V 100M Ω or more
Dielectric strength	AC 1000 V / minute

Distributed by Conrad Electronic SE, Hirschau, Germany