

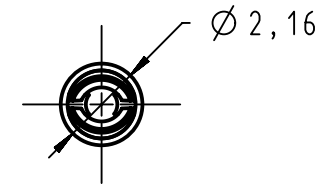
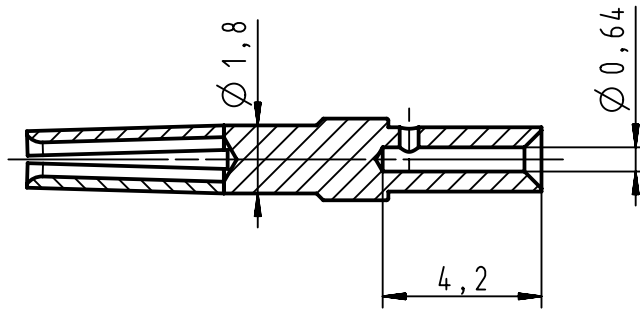
A

B

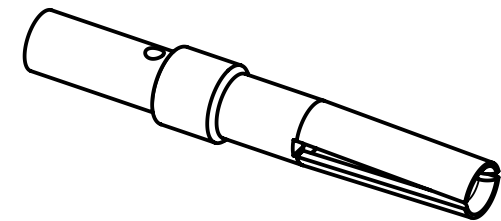
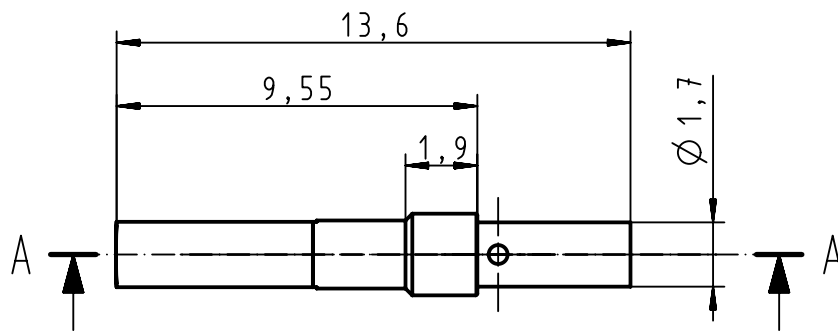
C

D

A - A



Crimping of AWG 24-28 : hand tool 09 99 000 0501
and locator 09 99 000 0531



5000	09 67 000 7476 580	PL1
100	09 67 000 7476	PL1
Bulk packaging	Part number	Perf. Level

	All Dimensions in mm Original Size DIN A4	Scale 5:1	Free size tol.			Ref.
	All rights reserved Department EC PD - FR	Created by PONZEVERA	Inspected by DAUCHELLE	Standardisation HOFFMANN	Date 2013-07-10	State Final Release
HARTING Electronics GmbH D-32339 Espelkamp		Title D-Sub Fe crimp cont AWG 24-28				Doc-Key / ECM-Nr. 100189795/UGD/003/C 500000062344
		Type TB	Number 0967000747X			Rev. C Page 1/1