

**Robert Bosch GmbH**

Power Tools Division  
70745 Leinfelden-Echterdingen  
Germany

[www.bosch-garden.com](http://www.bosch-garden.com)

**F 016 L70 955** (2012.10) O / 14 XXX



3 165140 709552

# ART 35



# BOSCH

en Original instructions



## English

### Safety Notes

**Warning! Read these instructions carefully, be familiar with the controls and the proper use of the machine. Please keep the instructions safe for later use!**

#### Explanation of symbols



General hazard safety alert.



Read instruction manual.



Pay attention that bystanders are not injured through foreign objects thrown from the machine.



Warning: Keep a safe distance from the machine when operating.



Switch off and remove plug from mains before adjusting, cleaning or if the cable is entangled and before leaving the garden product unattended for any period. **Keep the supply flexible cord away from the cutting line.**



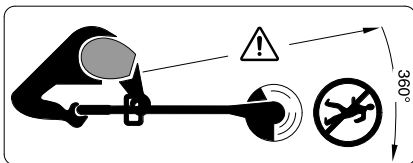
a.c.



Wear eye and ear protection.



Do not work in the rain or leave the trimmer outdoors whilst it is raining.



Beware of thrown or flying objects to bystanders.

Warning: Keep a safe distance from the machine when operating.

### Machine-specific Safety Warnings

- ▶ This machine is not intended for use by persons (including children) with reduced physical, sensory or mental capabilities, or lack of experience and knowledge, unless they have been given supervision or instruction concerning use of the machine by a person responsible for their safety. Children should be supervised to ensure that they do not play with the machine.
- ▶ Never allow children or people unfamiliar with these instructions to use the trimmer. Local regulations may restrict the age of the operator. When not in use, store the trimmer out of reach of children.
- ▶ Never operate the trimmer with missing or broken guards or shields or without guards or shields in position.
- ▶ Before use check the supply and extension cord for signs of damage or ageing. If the cord becomes damaged during use, disconnect the cord from the supply immediately. **DO NOT TOUCH THE CORD BEFORE DISCONNECTING THE SUPPLY.** Do not use the trimmer if the cord is damaged or worn.
- ▶ If the supply cord is damaged, it must be replaced by the manufacturer, its service agent or similarly qualified persons in order to avoid a hazard.
- ▶ **Keep extension cords away from cutting elements.**
- ▶ Before using the machine and after impact, check for signs of wear or damage and repair if necessary.
- ▶ Never operate the product when you are tired, ill or under the influence of alcohol, drugs or medicine.
- ▶ Always wear long heavy trousers, boots and gloves. Do not wear loose clothing, jewellery, short trousers, sandals or go barefoot. Secure hair so that it is above shoulder level to avoid entanglement in moving parts.
- ▶ **Wear safety eye protection and ear defenders when operating the machine.**
- ▶ Keep firm footings and balance. Do not overreach.
- ▶ Never work with this trimmer while people, especially children or pets are nearby.
- ▶ The operator or user is responsible for accidents or hazards occurring to other people or their property.
- ▶ Wait until the cutting head has completely stopped before touching it. The head continues to rotate after the trimmer is switched off, a cutting head can cause injury.
- ▶ Work only in daylight or in good artificial light.
- ▶ Operating the trimmer in wet grass decreases the efficiency of performance.
- ▶ Switch off when transporting the trimmer to and from the area to be worked on.
- ▶ Switch on the trimmer with hands and feet well away from the rotating line.
- ▶ Do not put hands or feet near the cutting line.
- ▶ Never fit metal cutting elements to this trimmer.

- ▶ Inspect and maintain the trimmer regularly.
- ▶ Have the trimmer repaired only by an authorized customer service agent.
- ▶ Always ensure that the ventilation slots are kept clear of debris.
- ▶ Take care against injury from the blade fitted for cutting the nylon line length. After feeding line always return the trimmer to its horizontal operating position before switching on.
- ▶ Switch off and remove the plug from the socket:
  - whenever you leave the machine unattended for any period
  - before replacing the cutting line
  - if the cable is entangled
  - before cleaning or working on the line trimmer
  - **before removing the trimmer attachment**
- ▶ After use, disconnect the machine from the mains and check for damage.
- ▶ Store the machine in a secure, dry place out of the reach of children. Do not place other objects on top of the machine.
- ▶ Replace worn or damaged parts for safety.
- ▶ Ensure replacement parts fitted are Bosch approved.
- ▶ **Do not operate the machine without the trimmer attachment fitted.**

## Electrical Safety

- ▶ **Warning! Switch off, remove plug from mains before adjusting, cleaning or if cable is cut, damaged or entangled.**
- ▶ **The cutting line continues to rotate for a few seconds after the trimmer is switched off.**
- ▶ **Caution – do not touch rotating cutting line.**

Your machine is double insulated for safety and requires no earth connection. The operating voltage is 230 V AC, 50 Hz (for non-EU countries 220 V). Only use approved extension cables. Contact your Bosch Service Centre for details.

**It is recommended for increased electrical safety to use a Residual Current Device (RCD) with a tripping current of not more than 30 mA. Always check your RCD every time you use it.**

For products **not sold in GB:**

**WARNING:** For your safety, it is required that the plug attached to the machine is connected with the extension cord. The coupling of the extension cord must be protected against splash water, be made of rubber or coated with rubber. The extension cord must be used with a cable strain relief.

The connection lead must be inspected for signs of damage at regular intervals and may only be used if in perfect condition. If the supply cord is damaged, it must be replaced by a Bosch Service Centre.

Extension cords/leads should only be used if they comply with H05VV-F or H05RN-F types.

**Products sold in GB only:** Your product is fitted with an BS 1363/A approved electric plug with internal fuse (ASTA approved to BS 1362).









If the plug is not suitable for your socket outlets, it should be cut off and an appropriate plug fitted in its place by an authorised customer service agent. The replacement plug should have the same fuse rating as the original plug.

The severed plug must be disposed of to avoid a possible shock hazard and should never be inserted into a mains socket elsewhere.

**Products sold in AUS and NZ only:** Use a residual current device (RCD) with a rated residual current of 30 mA or less.

## Symbols

The following symbols are important for reading and understanding the operating instructions. Please take note of the symbols and their meaning. The correct interpretation of the symbols will help you to use the garden product in a better and safer manner.

Symbol	Meaning
	Wear protective gloves
	Do not use flowing water to clean the machine
	Reaction direction
	Movement direction
	Switching On
	Switching Off
	Prohibited action
	Accessories/Spare Parts

## Intended Use

The machine is intended for the cutting of grass and weeds under bushes, as well as on slopes and edges that can not be reached with the lawn mower.

Intended use is related to operation within 0 °C and 40 °C ambient temperature.

## Technical Data

Line trimmer		ART 35
Article number		0 600 878 M..
Rated power	W	600
No-load speed	min <sup>-1</sup>	8000
Cutting line feed		Bump feed
Adjustable handle		●
Cutting line diameter	mm	1.6
Cutting diameter	cm	35
Cutting spool capacity	m	8
Weight according to EPTA-Procedure 01/2003	kg	4.6
Protection class		□/II
Serial number	see type plate on the garden product	

The values given are valid for a nominal voltage [U] of 230 V. For different voltages and models for specific countries, these values can vary. Please observe the article number on the type plate of your garden product. The trade names of the individual garden products may vary.

## Noise/Vibration Information

Measured sound values determined according to EN 60335.

Typically the A-weighted noise levels of the product are: Sound pressure level 87 dB(A); sound power level 94 dB(A). Uncertainty K = 1.5 dB.

Vibration total values  $a_h$  (tri-ax vector sum) and uncertainty K determined according to EN 60335:

$$a_h = 5.5 \text{ m/s}^2, K = 1.5 \text{ m/s}^2.$$

## Declaration of Conformity

We declare under our sole responsibility that the product described under "Technical data" is in conformity with the following standards or standardization documents: EN 60335 according to the provisions of the directives 2011/65/EU, 2004/108/EC, 2006/42/EC, 2000/14/EC.

2000/14/EC: Guaranteed sound power level 96 dB(A). Conformity assessment procedure according to Annex V.

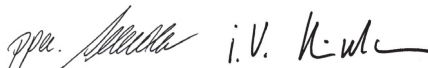
Equipment category: 33

Notified body: SRL, Sudbury, England, Nr. 1088

Technical file (2006/42/EC, 2000/14/EC) at: Bosch Lawn and Garden Ltd., PT-LG/ENS4, Stowmarket, Suffolk IP14 1EY, England

Dr. Egbert Schneider  
Senior Vice President  
Engineering

Helmut Heinzlmann  
Head of Product Certification  
PT/ETM9



Robert Bosch GmbH, Power Tools Division  
D-70745 Leinfelden-Echterdingen  
05.09.2012

## Mounting and Operation

- ▶ **Do not connect the machine to the mains socket before it is completely assembled.**
- ▶ **The cutting line continues to rotate for a few seconds after the trimmer is switched off. Allow the motor/cutting line to stop rotating before switching "on" again.**
- ▶ **Do not rapidly switch off and on.**
- ▶ **Do not hand bump the line feed as it could be hot.**
- ▶ **Remove any grass from spool cover when changing line or spool.**
- ▶ **Only use Bosch approved cutting line. Cutting performance will vary with different cutting line.**
- ▶ **Use the original spring when replacing spool.**

Action	Figure
Delivery Scope	1
Connecting the Shaft	2
Mounting the Auxiliary Handle	3
Mounting the Cutting Guard	4
Attaching the Shoulder Strap	5
Connecting the Extension Lead	6
Starting	7
Stopping	7
Working Advice	8
Feeding the Line	9
Replacing the Line Spool	10
Winding Line on Spool	11
Fitting Spool into Spool Holder	12
Maintenance, Cleaning and Storage	13 – 14
Selecting Accessories	15

## Troubleshooting



Problem	Possible Cause	Corrective Action
Trimmer fails to operate	Power turned off	Turn power on
	Mains socket faulty	Use another socket
	Extension cable damaged	Inspect cable, replace if damaged
	Fuse faulty/blown	Replace fuse
Trimmer runs intermittently	Extension cable damaged	Inspect cable, replace if damaged Contact Service Agent
	Internal wiring of garden product damaged	Contact Service Agent
Garden product labours	Grass too high	Cut in stages
Garden product does not cut	Cutting line to short/broken off	Replace cutting line
Line can not be fed	Spool empty	Replace the spool
	Line inside the spool entangled	Inspect the spool, rewind if necessary
Line retracts into spool	Line not bump fed	Rewind spool (see figure 11)
Line keeps breaking	Line inside the spool entangled	Inspect the spool, rewind if necessary
	Trimmer used incorrectly	Only trim with the tip of the line, avoid stones, walls and other hard objects. Feed the line regularly to maintain full cutting width.

## After-sales Service and Application Service

### www.bosch-garden.com

In all correspondence and spare parts orders, please always include the 10-digit article number given on the type plate of the garden product.

#### Great Britain

Robert Bosch Ltd. (B.S.C.)  
P.O. Box 98  
Broadwater Park  
North Orbital Road  
Denham  
Uxbridge  
UB 9 5HJ  
Tel. Service: (0844) 7360109  
Fax: (0844) 7360146  
E-Mail: boschservicecentre@bosch.com

#### Ireland

Origo Ltd.  
Unit 23 Magna Drive  
Magna Business Park  
City West  
Dublin 24  
Tel. Service: (01) 4666700  
Fax: (01) 4666888

#### Australia, New Zealand and Pacific Islands

Robert Bosch Australia Pty. Ltd.  
Power Tools  
Locked Bag 66  
Clayton South VIC 3169  
Customer Contact Center  
Inside Australia:  
Phone: (01300) 307044  
Fax: (01300) 307045  
Inside New Zealand:  
Phone: (0800) 543353  
Fax: (0800) 428570  
Outside AU and NZ:  
Phone: +61 3 95415555  
www.bosch.com.au

## Republic of South Africa

### Customer service

Hotline: (011) 6519600

### Gauteng – BSC Service Centre

35 Roper Street, New Centre

Johannesburg

Tel.: (011) 4939375

Fax: (011) 4930126

E-Mail: bsctools@icon.co.za

### KZN – BSC Service Centre

Unit E, Almar Centre

143 Crompton Street

Pinetown

Tel.: (031) 7012120

Fax: (031) 7012446

E-Mail: bsc.dur@za.bosch.com

### Western Cape – BSC Service Centre

Democracy Way, Prosperity Park

Milnerton

Tel.: (021) 5512577

Fax: (021) 5513223

E-Mail: bsc@zsd.co.za

### Bosch Headquarters

Midrand, Gauteng

Tel.: (011) 6519600

Fax: (011) 6519880

E-Mail: rbsa-hq.pts@za.bosch.com

## Disposal

Do not dispose of garden products into household waste!

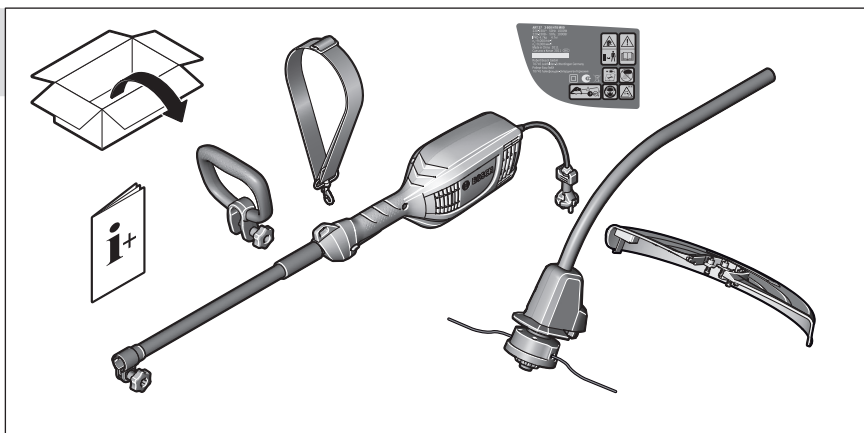
### Only for EC countries:



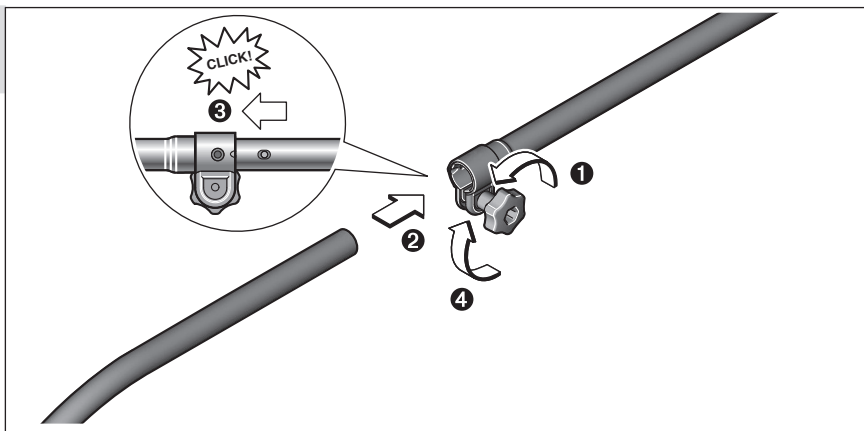
According to the European directive 2002/96/EC for Waste Electrical and Electronic Equipment and its implementation into national law, electrical and electronic equipment that are no longer usable must be collected separately and disposed of in an environmentally correct manner.

Subject to change without notice.

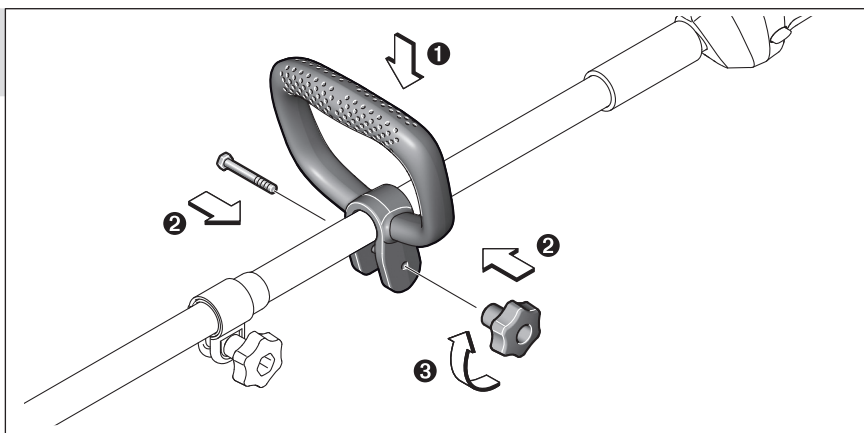
1



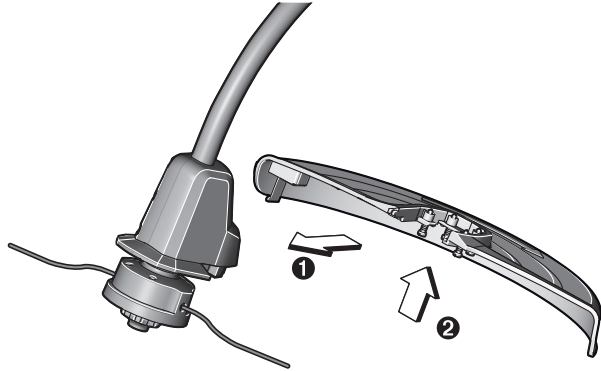
2



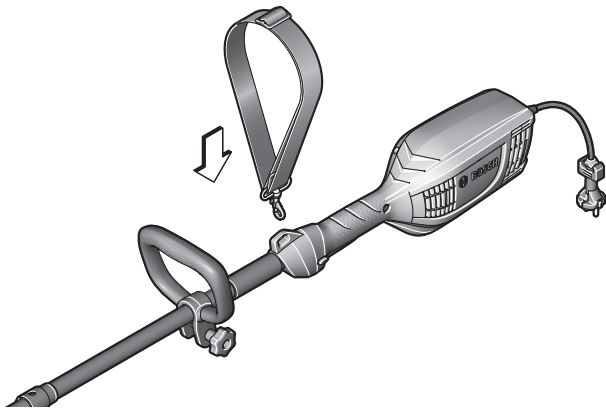
3



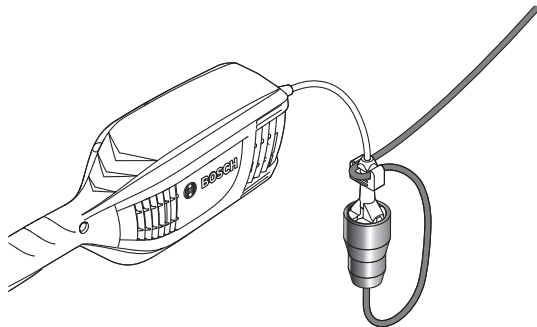
4



5



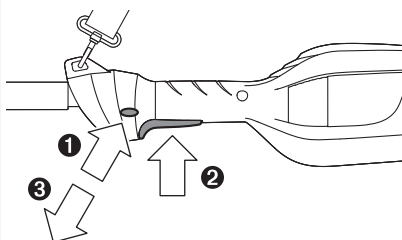
6



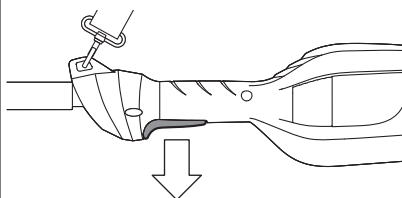


7

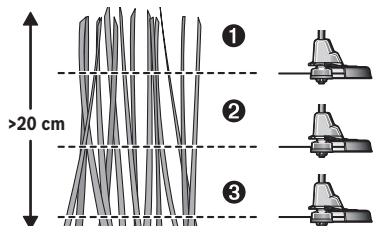
**I** = ① + ②



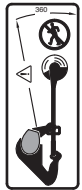
**O**



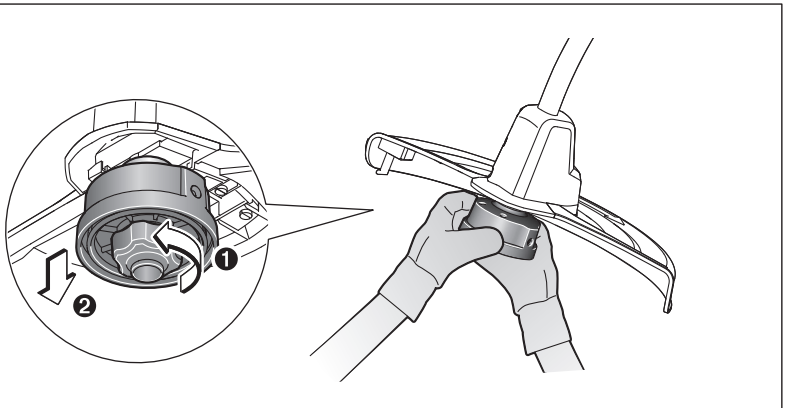
8

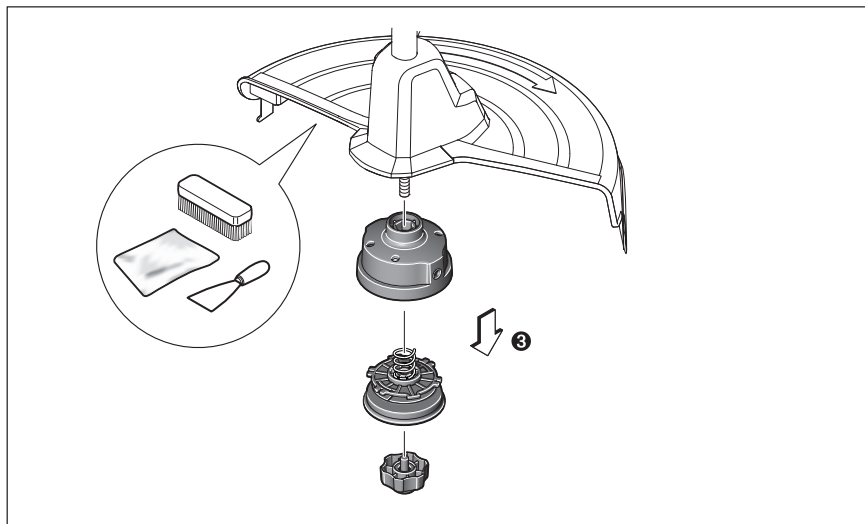


9

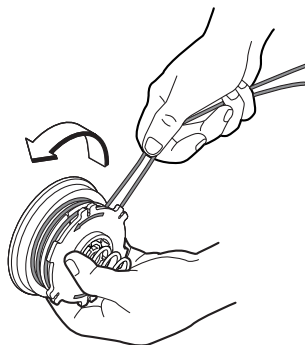
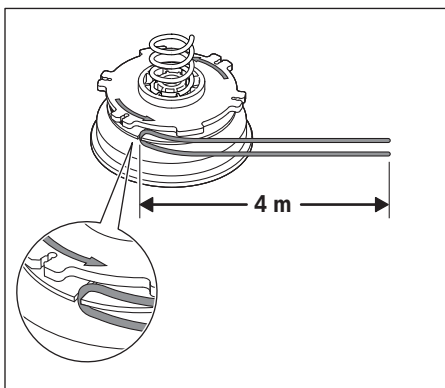
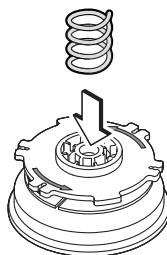
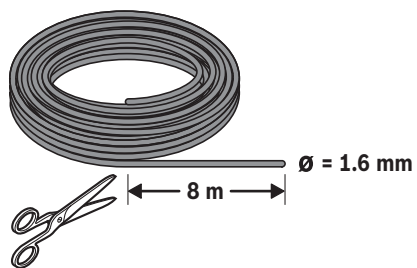


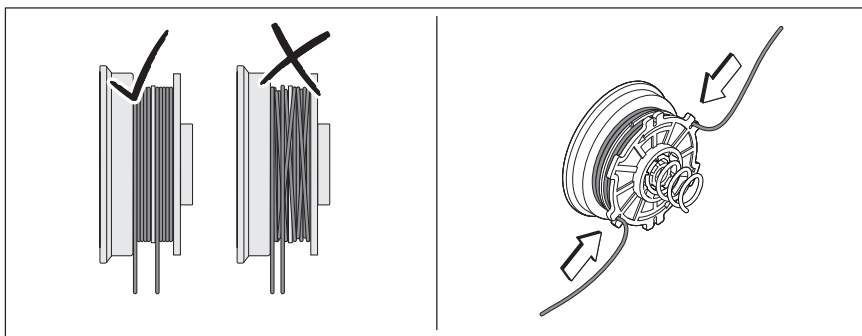
10



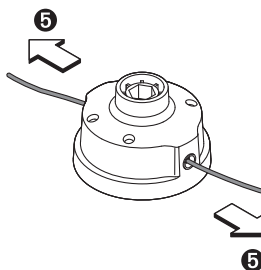
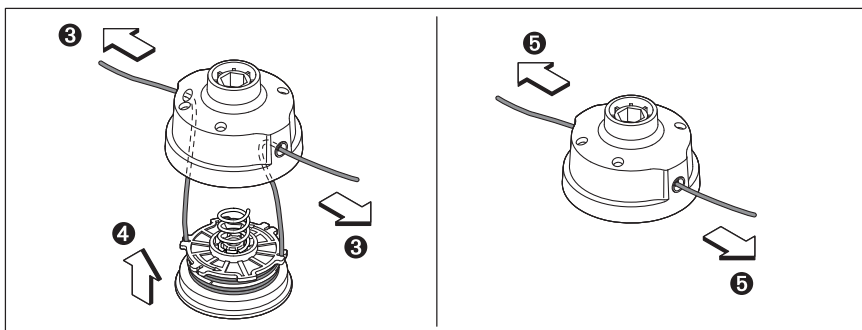
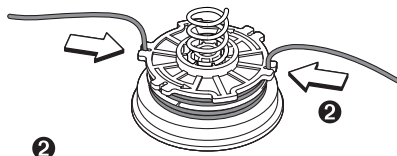
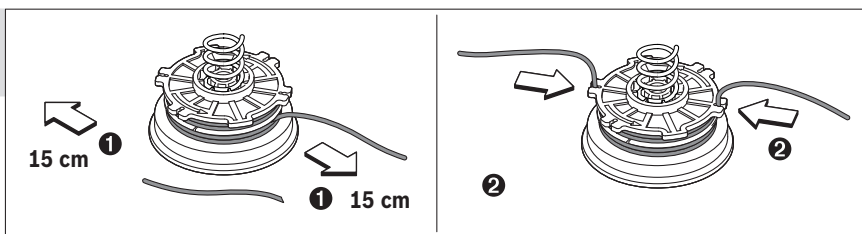


11

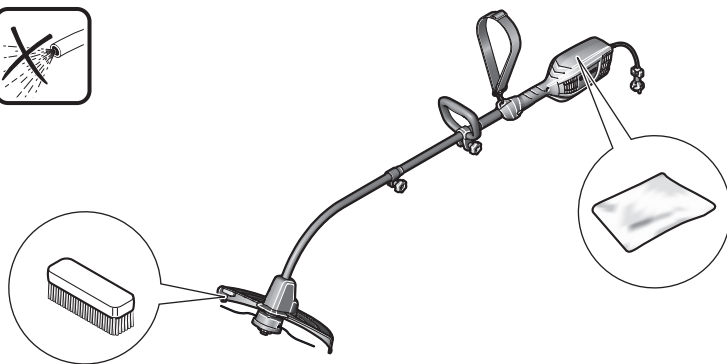




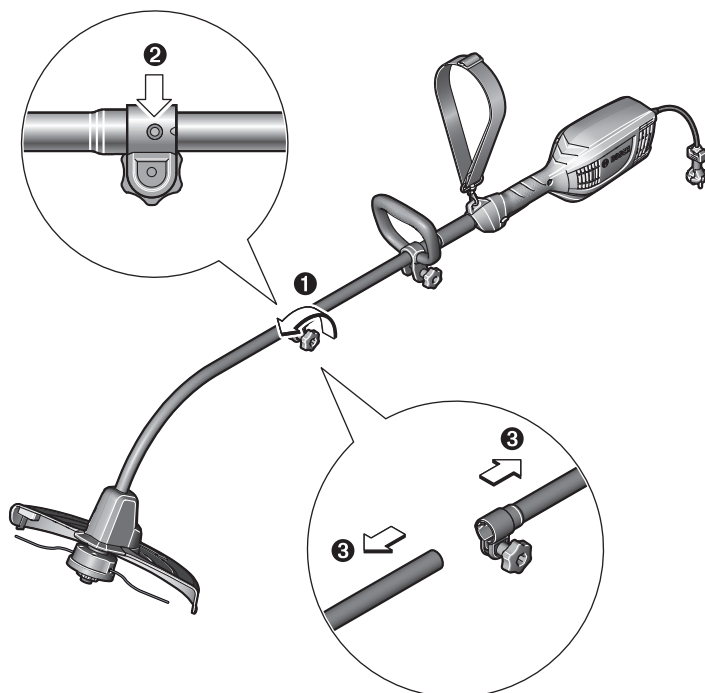
## 12



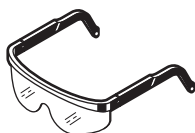
## 13



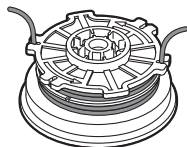
14



15



F 016 800 178



F 016 800 345



F 016 800 344