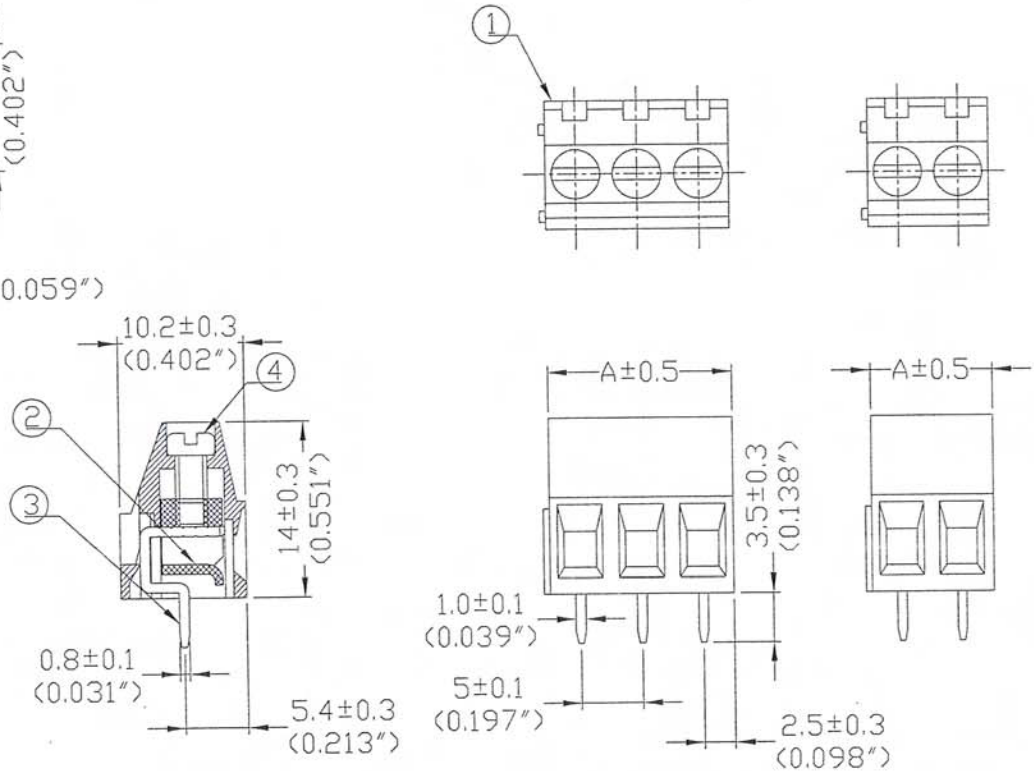
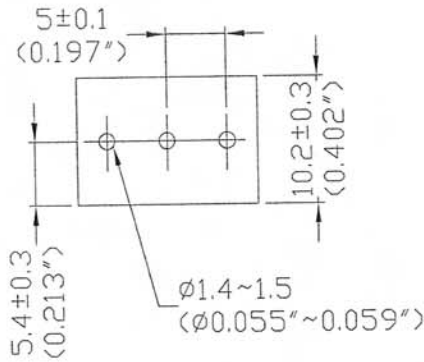


MB310-500M



□ □ : Poles
 500 : Pitch 5.00mm
 310 : Standard
 MB : Type

PCB Layout



All materials are lead free according to EU.

Pitch : 5.00mm(0.197inch)

Poles	A(mm)	A(inch)	Poles	A(mm)	A(inch)
2	10.00	0.394	15	75.00	2.953
3	15.00	0.591	16	80.00	3.150
4	20.00	0.787	17	85.00	3.346
5	25.00	0.984	18	90.00	3.543
6	30.00	1.181	19	95.00	3.740
7	35.00	1.378	20	100.00	3.937
8	40.00	1.575	21	105.00	4.134
9	45.00	1.772	22	110.00	4.331
10	50.00	1.969	23	115.00	4.528
11	55.00	2.165	24	120.00	4.724
12	60.00	2.362	25	125.00	4.921
13	65.00	2.559			
14	70.00	2.756			

Current rating : 16Amp AC300V
 Insulation withstands volt : AC2000V min
 Insulation resistance : >2000MΩ DC500V
 Operation temperature : -40°C to +105°C
 Wire strip length : 4mm~5mm
 Wire range : 14~24 AWG
 Screw torque : 5.0 lb-inch

文件管制
 96.4.16
 文管

CONFIRMED & ACCEPTED BY

	Material	Plating/Finish	Remark
1	Insulating body	Polyamide 66(UL94V-0)	Green
2	Cage clamp	Steel	Ni plated
3	Terminal	Brass	Tin plated
4	Screw	Steel	Ni plated

DECA

PART NO.	MB310-500M	VERSION	B	CONFIRMED BY	Wisdom
SHEET OF	2/2	METRIC	MM	DRAWN BY	DATE
					2005/06/14
				GENERAL MANAGER	

Distributed by Conrad Electronic SE

版次 : A版