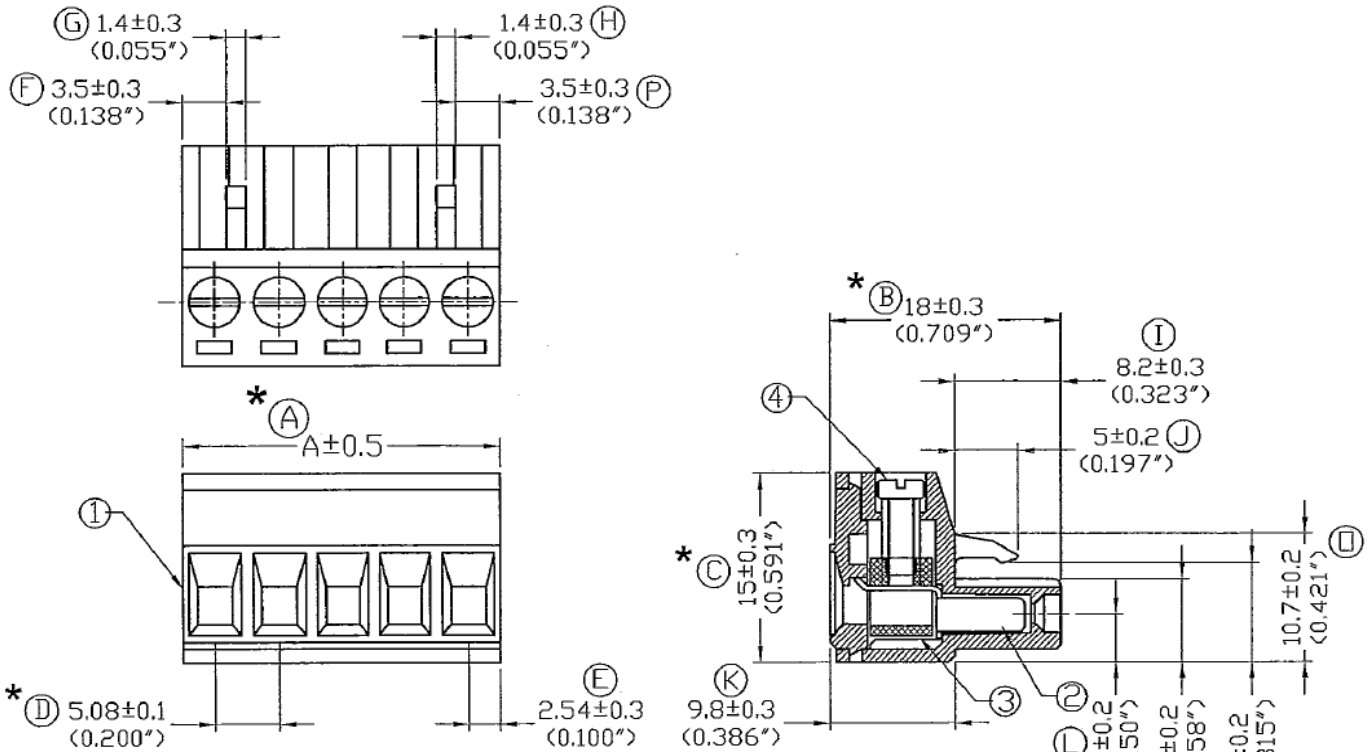


: Poles
 508 : Pitch 5.08mm
 100 : Standard
 MC : Type



Current rating : 16Amp AC300V
 Insulation withstands volt : AC2000V min
 Insulation resistance : >2000MΩ DC500V
 Operation temperature : -40°C to +105°C
 Wire strip length : 4mm~5mm
 Wire range : 12~24 AWG
 Screw torque : 7 lb-inch

Pitch : 5.08mm(0.200inch)

Poles	A(mm)	A(inch)	Poles	A(mm)	A(inch)
2	10.16	0.400	15	76.20	3.000
3	15.24	0.600	16	81.28	3.200
4	20.32	0.800	17	86.36	3.400
5	25.40	1.000	18	91.44	3.600
6	30.48	1.200	19	96.52	3.800
7	35.56	1.400	20	101.60	4.000
8	40.64	1.600	21	106.68	4.200
9	45.72	1.800	22	111.76	4.400
10	50.80	2.000	23	116.84	4.600
11	55.88	2.200	24	121.92	4.800
12	60.96	2.400			
13	66.04	2.600			
14	71.12	2.800			

CONFIRMED & ACCEPTED BY

	Material	Plating/Finish	Remark
1	Insulating body Polyamide 66(UL94V-0)		Green
2	Contact Phosphor bronze	Tin plated	
3	Cage clamp Brass	Ni plated	
4	Screw Steel	Zinc plated	

DECA

PART NO.	MC100-508××	VERSION	G	CONFIRMED BY	<i>Waldomir</i>
SHEET OF	2/2	METRIC	MM	DRAWN BY	JYUN
		DATE	2011/02/09	GENERAL MANAGER	<i>Jellie</i>