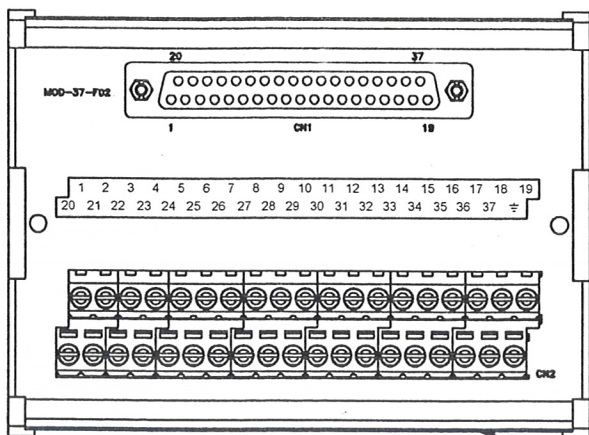
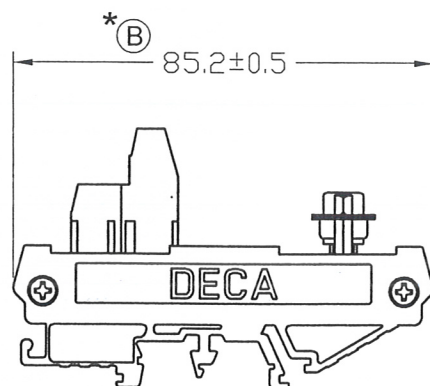
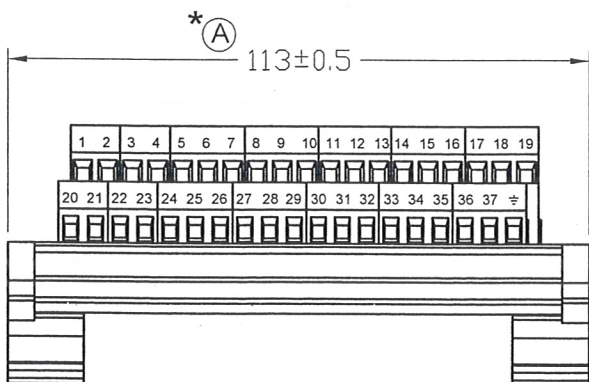


MOD-37-F02

RoHS
Compliant



Green color



CONFIRMED & ACCEPTED BY

DECA

| | | | | | | | | |
|----------|------------|--------|----|----------|--------------|------|--------------|--------------------|
| PART NO. | MOD-37-F02 | | | | VERSION | A | CONFIRMED BY | <i>W. J. J. J.</i> |
| SHEET OF | 2/2 | METRIC | MM | DRAWN BY | <i>S. J.</i> | DATE | 2011/10/20 | GENERAL MANAGER |
| | | | | | | | | <i>J. J. J.</i> |