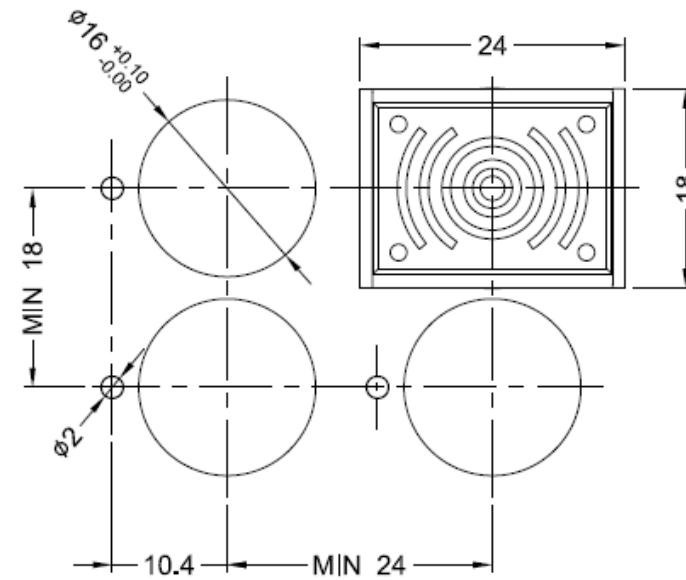
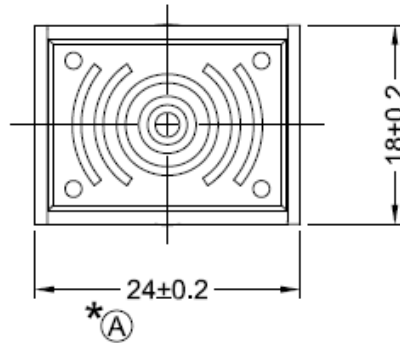
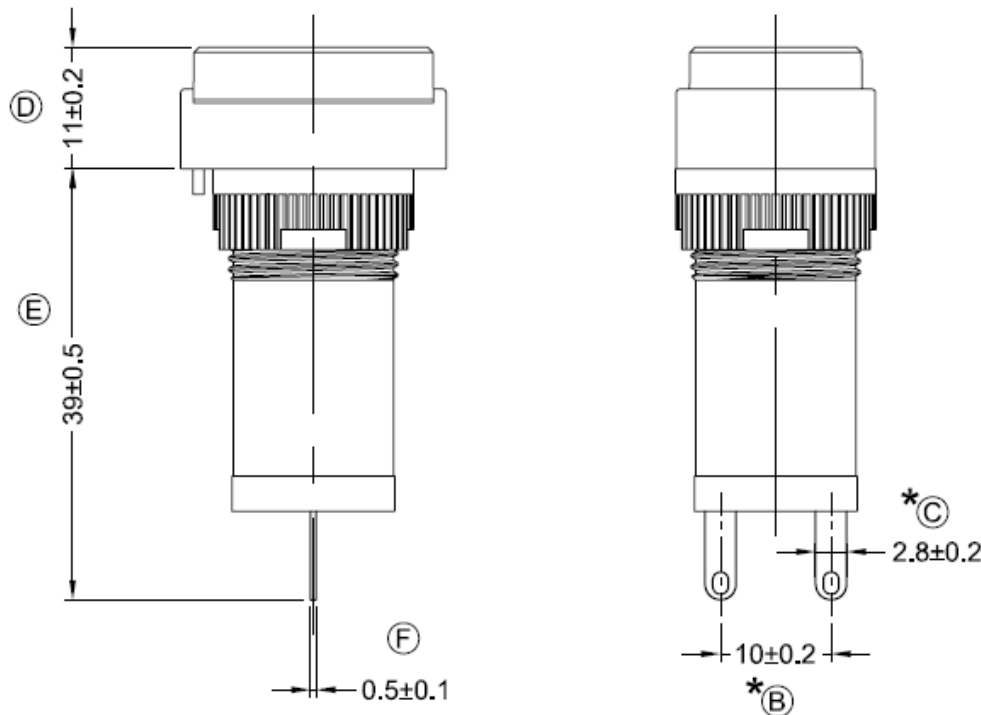


Type No:ADP16  
Order No:ADP16B4-0T0-0240

RoHS  
Compliant



PCB Layout



Current rating : 25mA DC12~24V  
Operation temperature : -25°C to +55°C  
Electrical lifetime : 1000hr  
Sound pressure : 80db  
Terminal : soldering type / plug-in type  
Wire range : 1x1.5mm<sup>2</sup> max.  
Cable range : 2x0.75mm<sup>2</sup> / 1x1.0mm<sup>2</sup> max.  
Voice : Intermittent tone

CONFIRMED & ACCEPTED BY:

**DECA**<sup>®</sup>

DESIGN	CHECK	APPROVE
DATE	DATE	DATE
2014/07/25	2014/07/25	2014/07/25

PART NAME	UNIT	SCALE
Terminal Blocks	MM	1:1
DRAWING NO.	SHEET	
ADP16B4-0T0-0240	1/1	

Distributed by Conrad Electronic SE