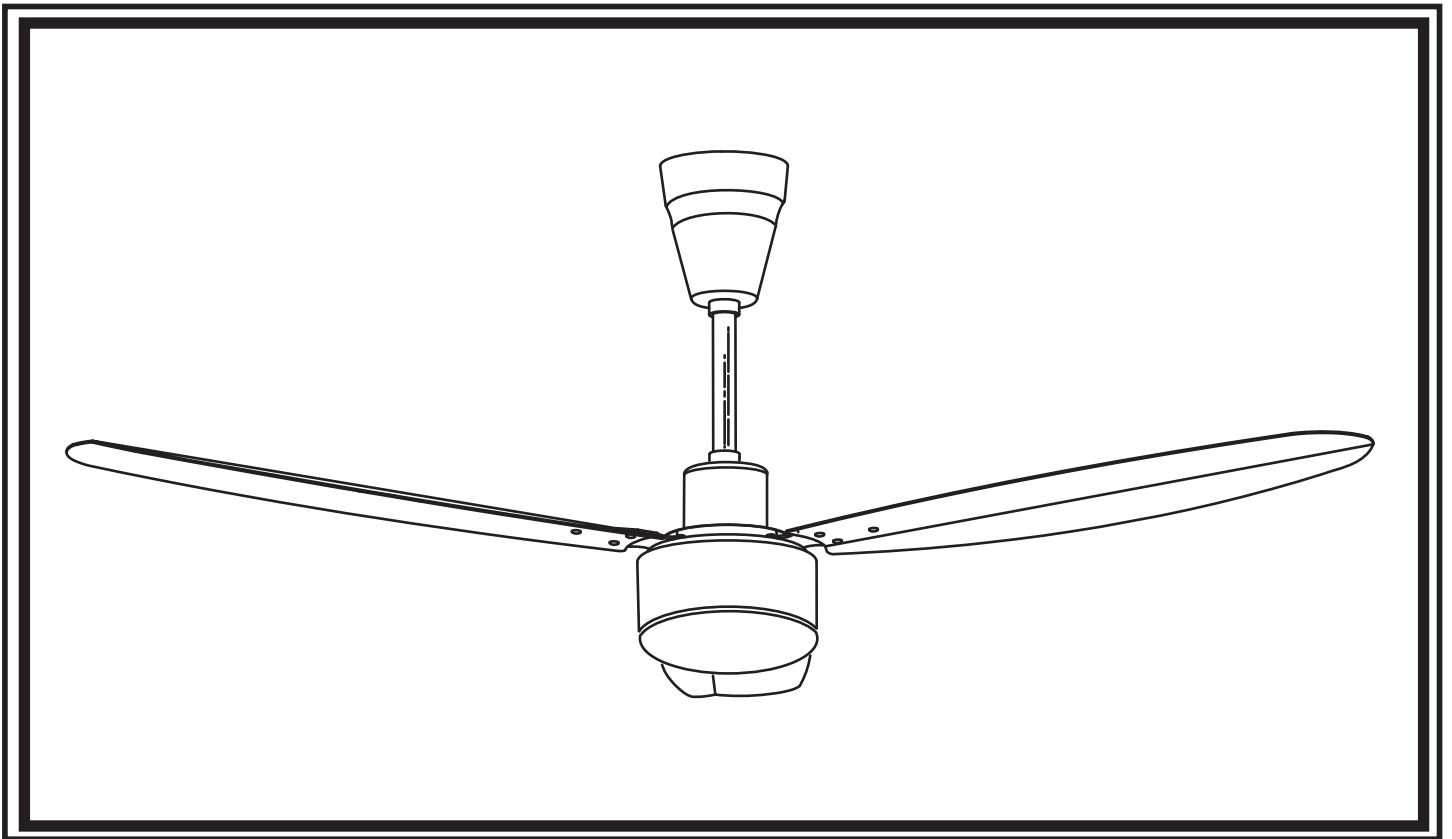


PHAESUN GmbH



INSTRUCTION MANUAL

READ AND SAVE THESE INSTRUCTIONS



WARNING

WARNING: To avoid fire shock and serious personal injury, follow these instructions.

Important Safety Instructions

1. Read all instructions and safety information before installing your new fan.
Review the accompanying assembly diagrams.
2. Before installing the fan, disconnect the power by removing fuses or turning off circuit breakers.
3. Make sure that all electrical connections comply with local codes, ordinances, or National Electrical Codes. Hire a qualified electrician or consult a do-it-yourself wiring handbook if you are unfamiliar with installing electrical wiring.
4. Make sure the installation site you choose allows the fan blades to rotate without any obstructions. Allow a minimum clearance of 7 feet from the floor to the trailing edge of the blades.
5. If you are mounting the fan on a ceiling outlet box, use a metal outlet box. Secure the box directly to the building structure. The outlet box and its support must be able to support the moving weight of the fan (at least 50 lbs.). Do not use plastic outlet box. Attach the mounting bracket using the hardware supplied with the ceiling outlet box.
6. If you are mounting the fan to a joist, make sure it is strong enough to support the moving weight of the fan (at least 50 lbs.)
7. After you install the fan, make sure that all connections are secure, this will prevent the fan from falling.
8. Do not insert anything into the fan blades while the fan is operating.
9. Turn the fan off and wait for it to stop before reversing fan direction.
10. To reduce risk of electrical shock and personal injury, do not install fan on sloped ceiling.
11. To reduce risk of electrical shock and personal injury, do not use this fan with any solid-state.
12. To reduce risk of personal injury, use only the two steel screws, and lock washers, provided with the fan for mounting to the outlet box.

Table of Contents

Tools Needed for Assembly	1
Assembly Drawing	1
Parts List	1
How to Assemble Your Ceiling Fan	1,2
How to Mount Your Fan Blades	2
How to Hang Your Ceiling Fan	2,3
How to Wire Your Ceiling Fan	3
How to Operate Your Ceiling Fan	4
Maintenance	5

This Manual Is Designed to Make it as Easy as Possible for You to Assemble, Install, Operate and Maintain Your Ceiling Fan

Tools Needed for Assembly

- Philips Screwdriver
- Adjustable wrench
- Stepladder
- Slotted Screwdriver
- Wire Cutters

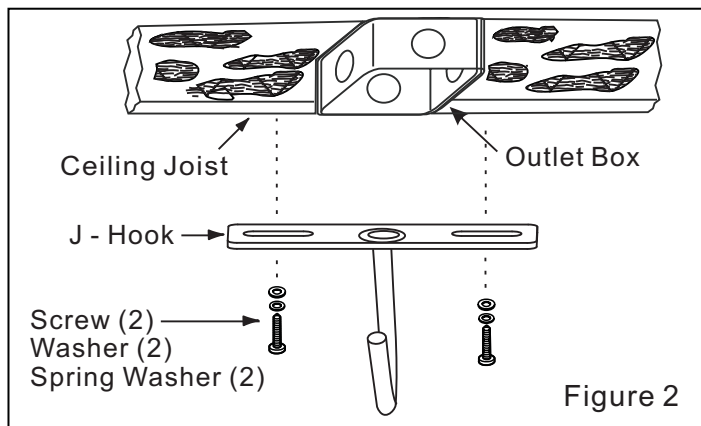
Parts List

1. J - Hook (1)
2. Screw (2)/Washer (2)/Spring Washer (2)
3. Wire Connectors (3)
4. Rubber grommet (1)
5. Downrod (1)
6. Canopy (1)
7. Yoke Cover (1)
8. Canopy Setscrew (2)
9. Yoke Cover Setscrew (3)
10. Downrod Support
11. Downrod Support Setscrew (2)
12. Clevis Pin (1)
13. Hairpin Clip (1)
14. Fan Motor Assembly (1)
15. Receiver Assembly (1)
16. Hand-Held Remote Transmitter (1)
17. Fan Blade Set (3)
18. Blade Setscrew (6)
19. Fan Wires

How to Assemble Your Ceiling Fan

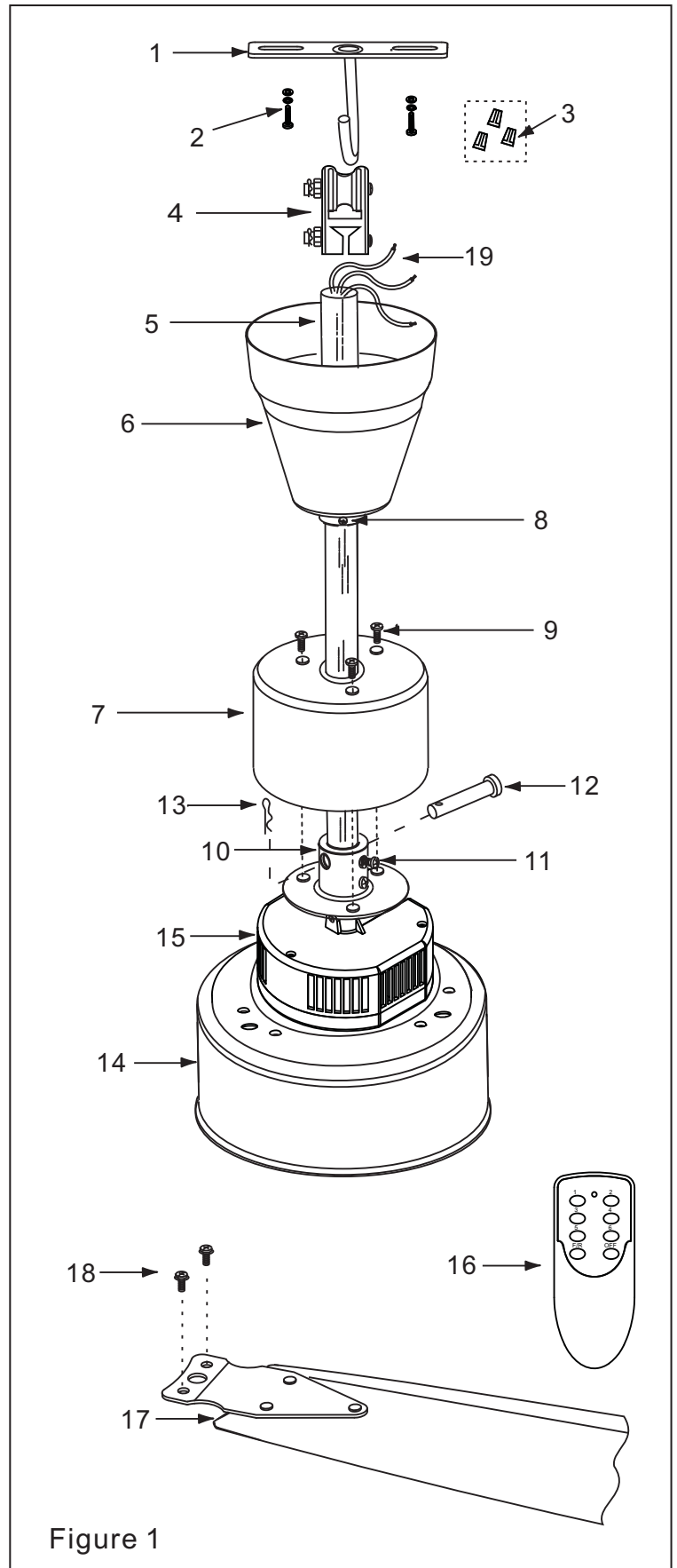
CAUTION: To avoid possible electrical shock, be sure electricity is turned off at the main fuse box before assembling.

1. Securely attach the J-Hook to the ceiling joist using the screws/washers/spring washers supplied with the ceiling joist (Figure 2).



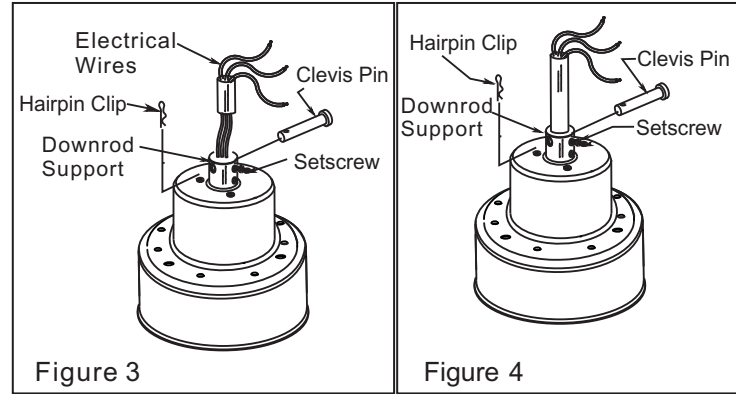
2. Remove the clevis pin and hairpin clip from the downrod and retain them for reinstallation in step 4.

Assembly Drawing

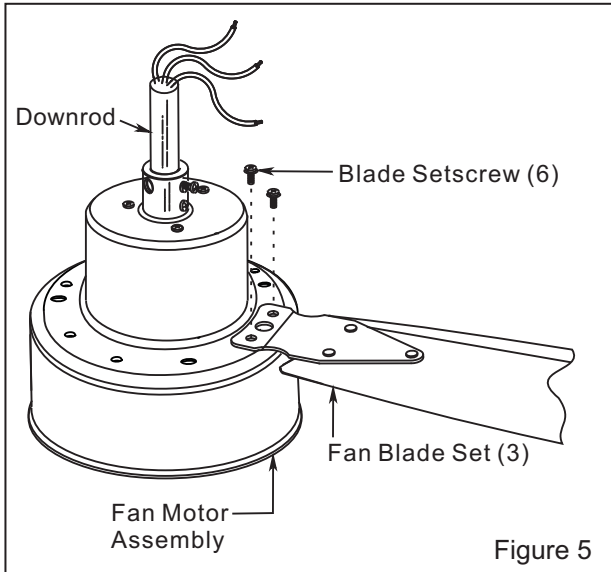


How to Assemble Your Ceiling Fan (Cont'd)

3. First, loosen the two setscrews in the downrod support, carefully thread for electrical wires through downrod (Figure 3).



4. Put the downrod into the downrod support and align the clevis pin holes in the downrod with the holes in the downrod support. Install the clevis pin and secure with the hairpin clip, then re-tighten the two setscrews (Figure 4) securely while pulling up on the downrod. The hairpin clip must be properly installed to prevent the clevis pin from getting loose. Pull on the downrod to make sure the clevis pin is properly installed.



How to Mount Your Fan Blades

1. Mount the fan blade to the fan motor assembly using two blade setscrews (Figure 5). Repeat for the remaining two blades.
2. Make sure the setscrews securing the fan motor assembly are tight and that the blades are properly seated.

NOTE: Periodically check blade hardware and resecure if necessary.

⚠ WARNING

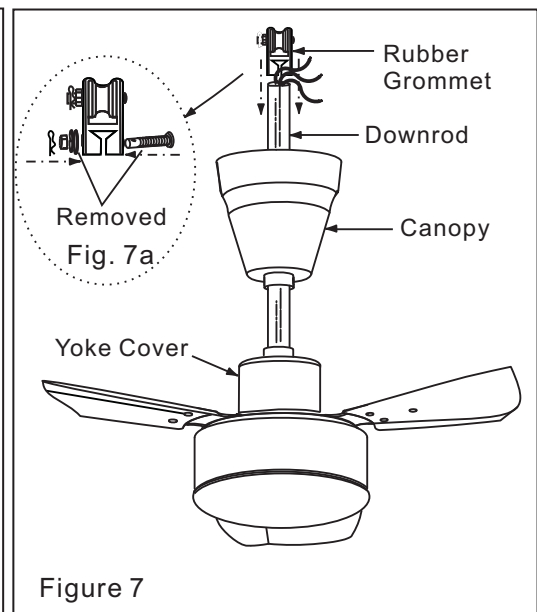
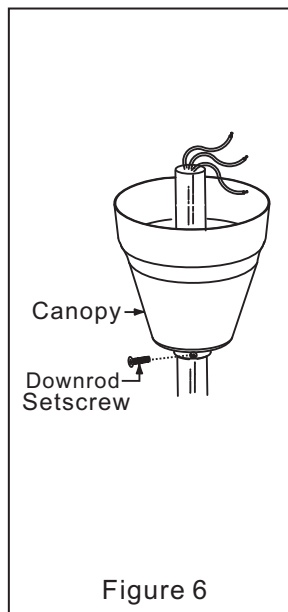
To reduce the risk of personal injury, do not bend the blades when installing, balancing the blades or cleaning the fan. Do not insert foreign objects in the between the rotating fan blades.

⚠ WARNING

Do not connect fan blades until the fan is completely installed. Installing the fan with blades assembled may result in damage to the fan blades.

How to Hang Your Ceiling Fan

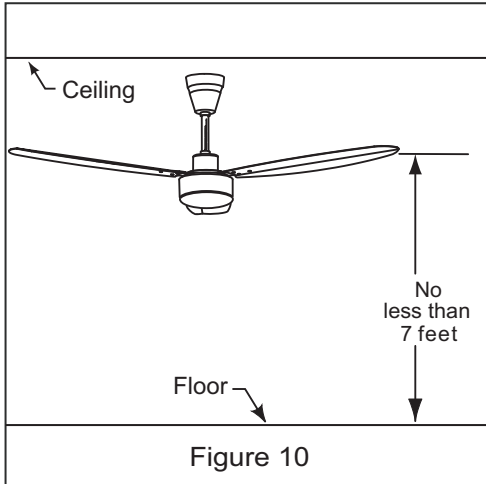
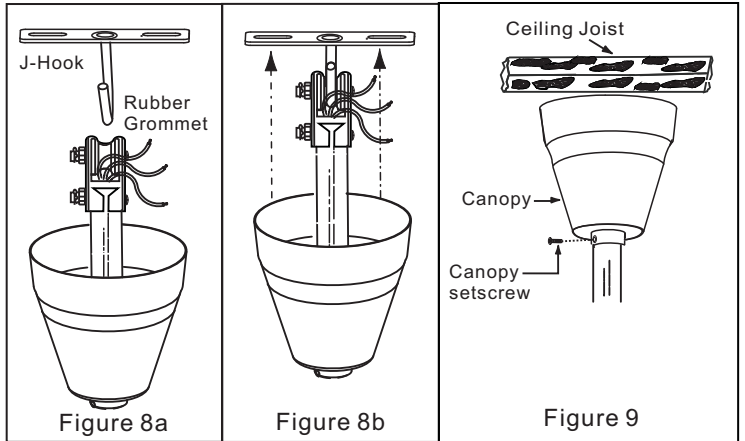
1. Place the canopy into the downrod as shown in figure 6.
2. Remove the setscrew/washer/spring washer from the rubber grommet (Figure 7a) and retain them for reinstallation in step 3.
3. Put the rubber grommet in the downrod and securely install it by using setscrew/washer/spring washer supplier with the downrod (Figure 7).



How to Hang Your Ceiling Fan (Cont'd)

4. Hang the fan up into the J-hook, be sure the rubber grommet rests properly on the J-hook. As shown in figure 8a and 8b.
5. Securely attach the canopy/yoke cover to the downrod/rubber grommet assembly by using two canopy/yoke cover setscrews supplied with your ceiling fan (Figure 9).

NOTE: This step is applicable after necessary wiring is completed. (See page 3)



6. The fan must be hung with at least 7 feet of clearance from floor to blades (Figure 10)

⚠ WARNING

It is critical that the clevis pin in the downrod support be properly installed and the setscrew securely tightened. Failure to verify that the pin and setscrew are properly installed (as shown in Figure 4) could result in the fan falling.

How to Wire Your Ceiling Fan

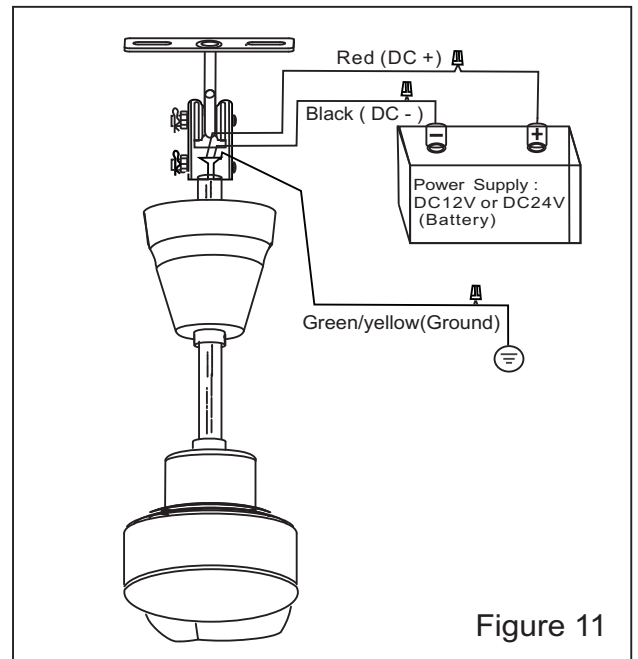
If you feel that you do not have enough electrical wiring knowledge or experience, have your fan installed by a licensed electrician.

⚠ WARNING

To avoid possible electrical shock, be sure electricity is turned off before wiring.

1. Securely connect the red wire (DC +) from fan to the power supply wire (+) using wire connector supplied.
2. Securely connect the black wire (DC -) from fan to the power supply wire (-) using wire connector supplied.
3. Connect the green/yellow grounding lead from the fan to the supply grounding conductor using wire connector.

As shown in figure 11.



Caution: The Power Supply must be DC12V (or DC24V) and the wire connection must be + to + and - to -. These fans are reverse polarity protected, fan will not work if wired incorrectly, please ensure pos and neg wiring is connected correctly.

How to Operate your Ceiling Fan

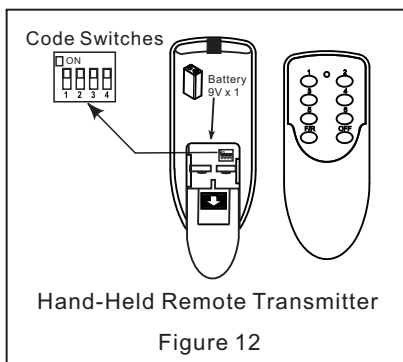
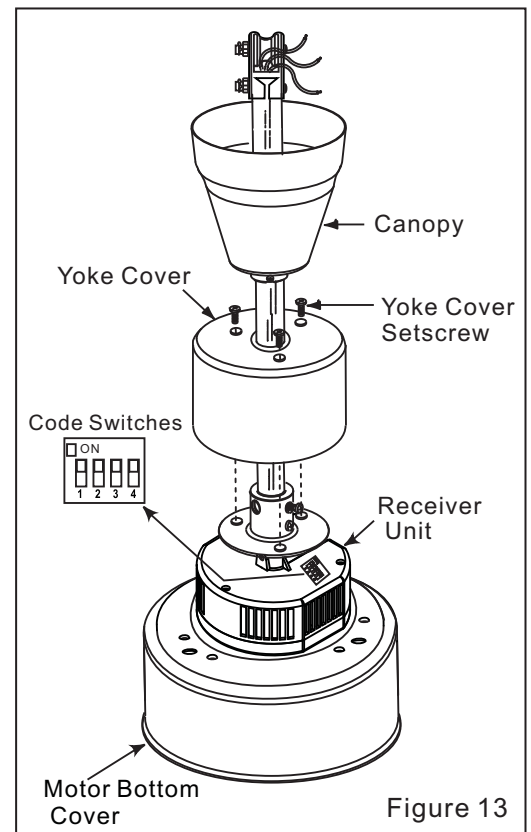
1. Setting the Code: The remote unit has 16 different code combination. It may be necessary to test a couple frequency code settings to improve signal reception and/or eliminate interference from other remote control household items. Multiple fans should have different code settings to allow independent fan control. To set the code, perform these steps.

2. Transmitter: Remove battery cover. Press firmly below arrow and slide battery cover off. Slide code switches to your choice of up or down position. Factory setting is all down. Do not use this position. With a small screwdriver or ball point pen slide firmly up or down (Figure 12). Replace battery cover on the transmitter.

3. Receiver: Slide code switches to the same positions as set on your transmitter (Figure 13).

Note1: When you set the codes, please remove the yoke cover setscrews (3) from the yoke cover first and then replace the screws after the codes setting completed.

Note2: Receiver in controllers system features an automatic learning function. There are no frequency switches on the receiver unit. The receiver will automatically scan the frequency from the hand-held control if an changes are made. The frequency settings should be changed only in the case of interference or if multiple ceiling fans with the same type of control system are installed in the same structure.



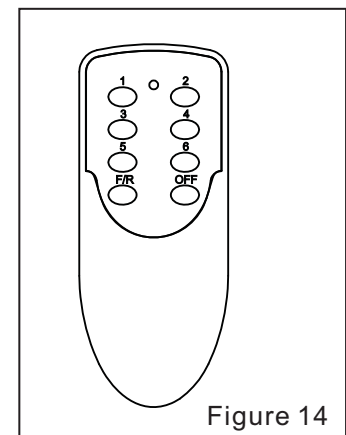
4. Operating & Using Remote Transmitter:

Install one 9 volt battery (included) into the hand-held remote transmitter. Press any fan speed button and allow the receiver to scan (normally within 3-5 seconds) the fan is now programmed and ready for normal operation.

Note: If not using for long period of time, remove battery to prevent damage to transmitter. Store the transmitter away from excessive heat or humidity.

5. The remote buttons instruct as below (as shown in figure 14):

- OFF Button - fan off
- 1st Button - high speed
- 2nd Button - medium high speed
- 3rd Button - medium speed
- 4th Button - medium low speed
- 5th Button - low speed
- 6th Button - minimum speed
- F/R Button - toggles between air upflow and air downflow



Maintenance

1. Periodic cleaning of your new ceiling fan is the only maintenance that is needed.
2. When cleaning, use only a soft brush or lint free cloth to avoid scratching the finish.
3. Abrasive cleaning agents are not required and should be avoided to prevent damage to finish.



WARNING

Do not use solvents when cleaning your ceiling fan. It could damage the motor and create the possibility of electrical shock.

RECOMMENDED: Periodically check that the blade sets to the fan motor setscrew are secure and tight.

