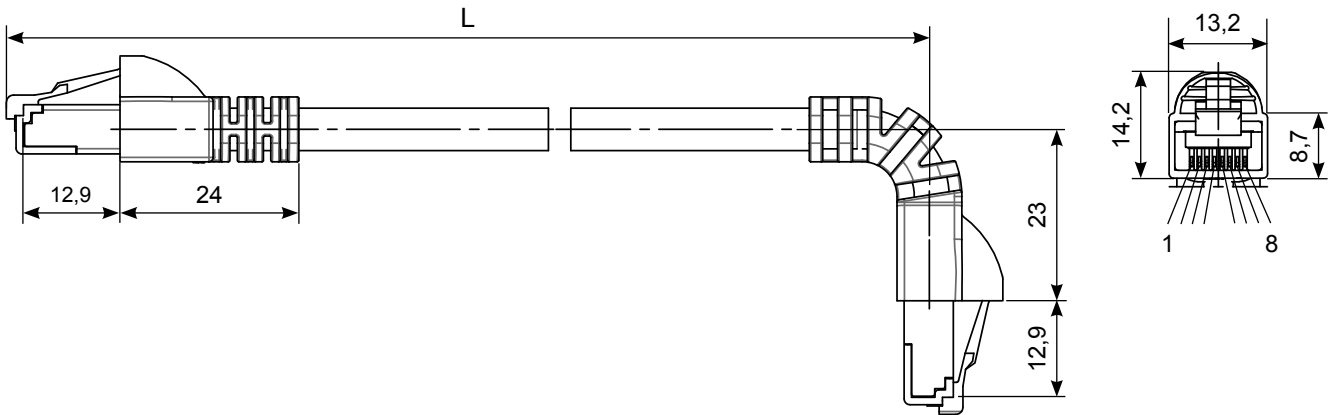
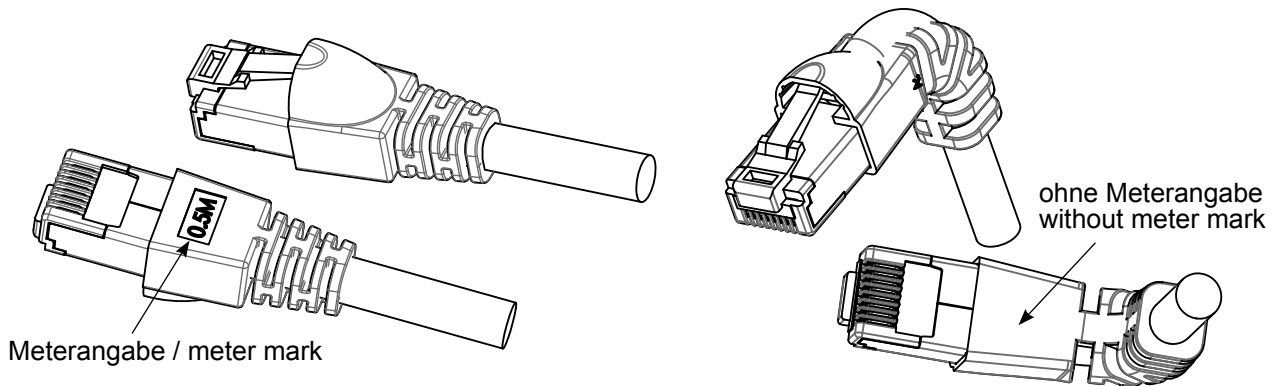


# Patch cord S/FTP Cat.6<sub>A</sub> MP8 FS 500, LSZH, 1x90°-Tülle

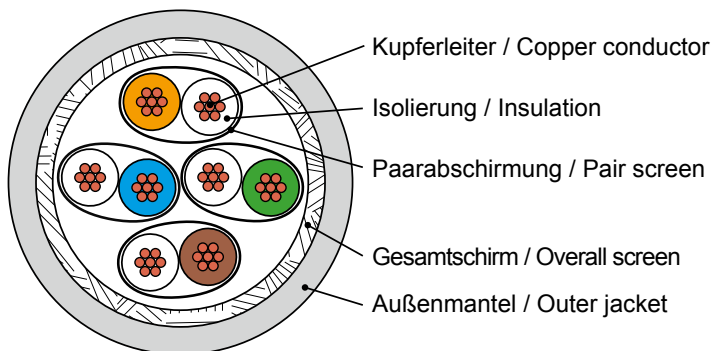


| Länge<br>Length (mm)  | <500 | ≥500 | >1500 | >2500 | >5000 | >8000 | >15000 | >20000 | >50000 | >100000 |
|-----------------------|------|------|-------|-------|-------|-------|--------|--------|--------|---------|
| Toleranz<br>Tolerance | ±10  | ±20  | ±25   | ±40   | ±60   | ±100  | ±200   | ±300   | ±500   | ±500    |

## Knickschutztülle angespritzt / Strain relief moulded



## Kabelaufbau / Construction Li-02YSCH 4x2xAWG27/7



## Verpackung / Packing

1 Stück im PE-Beutel mit Etikett  
 Umverpackung für Kabel ≤ 7,5 m:  
 Karton 385 mm x 285 mm x 192 mm (Außenmaße)  
 Umverpackung für Kabel > 7,5 m:  
 Karton 380 mm x 275 mm x 295 mm (Außenmaße)  
 Umverpackungsmenge differiert je nach Kabellänge

1 piece in PE bag with label  
 Outer packaging for cables ≤ 7,5 m:  
 carton 385 mm x 285 mm x 192 mm (outside dimensions)  
 Outer packaging for cables > 7,5 m:  
 carton 380 mm x 275 mm x 295 mm (outside dimensions)  
 Outer packing unit differs according to cable length

RoHS-compliant

**Patch cord S/FTP Cat.6<sub>A</sub>, 0,5m**  
**MFP8 FS 500, LSZH, 1x90°, grey, 1:1**

**L00000A0189**      1x      xxx

**US LISTED**  
 Communication Circuit  
 Accessories      **3UK4**  
 E244889

D L00000A0189F 15.04.2013© by Telegärtner

# Patch cord S/FTP Cat.6<sub>A</sub> MP8 FS 500, LSZH, 1x90°-Tülle



## Technische Daten / Technical Data

| Steckverbinder-Norm                           | IEC 60603-7-51  | Connector standard                     |
|---|---|--|
| <b>Mechanische Eigenschaften</b>              |   | <b>Mechanical Characteristics</b>      |
| Steckkraft                                    | ≤ 30N   | Insertion force                        |
| Lebensdauer                                   | ≥ 750   | Life                                   |
| Kabelabzugskraft                              | min. 89 N   | Cable to plug tensile strength         |
| <b>Werkstoffe</b>                             |   | <b>Materials</b>                       |
| Steckergehäuse                                | PC UL94 V0 glasklar/crystal clear   | Connector housing                      |
| Adernvorsortierung                            | PC UL94 V0 glasklar/crystal clear   | Wire pair presorting                   |
| Kontakte                                      | Phosphor Bronze / phosphor bronze   | Contact                                |
| Kontaktoberfläche                             | min. 0,8 µm (30 µin.) Au über/<br>on 2,54 µm (100 µin.) Ni  | Contact finish                         |
| Schirmblech                                   | 0,5 mm Messing / 0.02 in. brass   | Shield                                 |
| Schirmblech Oberfläche                        | 2 µm (80 µin.) Ni   | Shield finish                          |
| Knickschutztülle                              | PVC UL94 V0   | Strain relief                          |
| Außenmantel                                   | LSZH  | Outer jacket                           |
| Kabeldurchmesser                              | 5,8 mm ±0,2 mm (0.228 in. ±0.008 in.)   | Cable outer diameter                   |
| Kabelaufschrift                               | TELEGÄRTNER S/FTP 4x2xAWG27/7<br>Cat.7 PATCH CABLE LSZH IEC 60332-1<br>E344985 AA c(UL)us CM 75°C | cable marking                          |
| Farbe der Kabelaufschrift                     | blau / blue   | Colour of cable marking                |
| Farbe der Kabelaufschrift auf schwarzem Kabel | weiß / white  | Colour of cable marking on black cable |
| Gesamtschirm                                  | Cu-Geflecht, verzinkt / copper braid, tinned  | Overall screen                         |
| Paarabschirmung                               | Aluminium-beschichtete Kunststoff-Verbundfolie<br>Al-laminated plastic foil                       | Pair screen                            |
| Isolierung                                    | Foam Skin Polyethylene Ø1,02 mm ( Ø0.04 in.)  | Insulation                             |
| Kupferleiter                                  | Cu-Litze, blank / stranded bare copper wire<br>Ø 0,46 mm (0.018 in.) AWG 27/7                     | Copper conductor                       |
| Richtlinie 2011/65/EU (RoHS)                  | RoHS-konform / RoHS-compliant   | Directive 2011/65/EU (RoHS)            |
| <b>Umweltanforderungen</b>                    |   | <b>Environmental Requirements</b>      |
| <b>Schutz vor Eindringen</b>                  |   | <b>Protection against ingress</b>      |
| Eindringen von Teilchen                       | IP2X  | Particulate ingress                    |
| Wasser / Untertauchen                         | IPX0  | Water / Immersion                      |
| <b>Klimatisch und chemisch</b>                |   | <b>Climatical and chemical</b>         |
| Umgebungstemperatur                           | -40°C bis / to +75°C  | Ambient temperature                    |
| Halogenfreiheit                               | IEC 60754-2   | Free from halogens                     |
| Flammwidrigkeit                               | IEC 60332-1, UL 444 CM  | Fire rating                            |

# Patch cord S/FTP Cat.6<sub>A</sub> MP8 FS 500, LSZH, 1x90°-Tülle



| Elektrische Eigenschaften   |  | Electrical Characteristics                                      |
|---|--|---|
| Verbindung  | 1:1  | Connection  |
| <b>Spannungsfestigkeit</b>  |  | <b>Voltage proof</b>  |
| Kontakt-Kontakt   | ≥ 1000 V, DC   | Contact-contact   |
| Kontakt-Schirm  | ≥ 1500 V, DC   | Contact-shield  |
| <b>Strombelastbarkeit bei 50°C</b>  | 1 A  | <b>Current carrying capacity at 50°C</b>                        |
| <b>PoE+ gemäß IEEE 802.3at</b>  | Geeignet für Power over Ethernet+<br>Adequate for Power over Ethernet+ | <b>PoE+ according to IEEE 802.3at</b>                           |
| <b>Übertragungstechnische Eigenschaften</b>                               |  | <b>Transmission Performance</b>                                 |
| 10 Gigabit Ethernet gemäß IEEE 802.3an                                    | geeignet für 10 Gigabit Ethernet<br>Adequate for 10 Gigabit Ethernet   | 10 Gigabit Ethernet<br>acc. to IEEE 802.3an                     |
| Kategorie 6 <sub>A</sub>  | ISO/IEC 11801; DIN EN 50173-1  | Category 6 <sub>A</sub>   |
| Klasse E <sub>A</sub>   | ISO/IEC 11801; DIN EN 50173-1  | Class E <sub>A</sub>  |
| Kategorie 6A  | ANSI/TIA/EIA-568-C.2   | Category 6A   |
| <b>Normen</b>   |  | <b>Standards</b>  |
| Anwendungsneutrale Kommunikationskabelanlagen                             | ANSI/TIA/EIA-568-C.2<br>ISO/IEC 11801; DIN EN 50173-1                  | Generic cabling systems   |
| Spezifikation für paarverseilte Geräteanschlusskabel                      | IEC 61156-6<br>DIN EN 50288-4-2  | Specification for pair equipment connection cable               |
| Spezifikation für die Prüfung der symmetrischen Kommunikationsverkabelung | IEC 61935-3  | Specification for the testing of balanced communication cabling |
| IP-Schutzarten  | IEC 60529  | Degrees of protection provided by enclosures (IP code)          |
| <b>Zulassung</b>  |  | <b>Approval</b>   |
| GHMT  | PVP  | GHMT  |
| UL-gelistet   | E244889  | UL listed   |

| <b>Kabelmantel und Tülle / cable jacket and strain relief</b> |                                   |                                    |                                 |                                   |                                     |                                      |                                    |   |  |
|---|-----------------------------------|------------------------------------|---------------------------------|-----------------------------------|-------------------------------------|--------------------------------------|------------------------------------|---|--|
| TG-Nummer und EAN-Nummer / TG P/N and EAN number              |                                   |                                    |                                 |                                   |                                     |                                      |                                    |   |  |
| <b>L<br/>(mm)</b>   | <b>grau<br/>grey<br/>RAL 7035</b> | <b>grün<br/>green<br/>RAL 6024</b> | <b>rot<br/>red<br/>RAL 3018</b> | <b>blau<br/>blue<br/>RAL 5015</b> | <b>gelb<br/>yellow<br/>RAL 1018</b> | <b>schwarz<br/>black<br/>RAL9011</b> | <b>weiß<br/>white<br/>RAL 9003</b> | <b>Meterangabe auf<br/>Knickschutztülle<br/>meter mark on<br/>strain relief</b> | <b>Verpackungseinheit<br/>pro Karton<br/>packing unit per box<br/>(Stück/pieces)</b> |
| 500   | L00000A0189<br>4018359361204      | L00000A0193<br>4018359361228       | L00000A0195<br>4018359361242    | L00000A0197<br>4018359361198      | L00000A0199<br>4018359361273        | L00000A0201<br>4018359361297         | L00000A0203<br>4018359361310       | 0.5M  | 130  |
| 1000  | L00000A0192<br>4018359361211      | L00000A0194<br>4018359361235       | L00000A0196<br>4018359361259    | L00000A0198<br>4018359361266      | L00000A0200<br>4018359361280        | L00000A0202<br>4018359361303         | L00000A0204<br>4018359361327       | 1.0M  | 80   |
| 1500  | L00001A0154<br>4018359361358      |                                    |                                 |                                   |                                     |                                      |                                    | 1.5M  | 70   |
| 2000  | L00001A0155<br>4018359361365      | L00001A0156<br>4018359361372       | L00001A0157<br>4018359361389    | L00001A0159<br>4018359361402      | L00001A0162<br>4018359361426        | L00001A0163<br>4018359361433         | L00001A0164<br>4018359361440       | 2.0M  | 55   |
| 3000  | L00002A0173<br>4018359361471      | L00002A0174<br>4018359361488       | L00002A0176<br>4018359361501    | L00002A0177<br>4018359361518      | L00002A0179<br>4018359361525        | L00002A0175<br>4018359361495         | L00002A0180<br>4018359361532       | 3.0M  | 40   |
| 5000  | L00003A0119<br>4018359361570      | L00003A0121<br>4018359361594       | L00003A0123<br>4018359361617    | L00003A0124<br>4018359361624      | L00003A0125<br>4018359361631        | L00003A0126<br>4018359361648         | L00003A0127<br>4018359361655       | 5.0M  | 25   |
| 7500  | L00004A0109<br>4018359361693      | L00004A0111<br>4018359361716       | L00004A0112<br>4018359361723    | L00004A0113<br>4018359361730      | L00004A0114<br>4018359361747        | L00004A0115<br>4018359361754         | L00004A0116<br>4018359361761       | 7.5M  | 18   |
| 10000   | L00005A0080<br>4018359361808      | L00005A0081<br>4018359361815       | L00005A0082<br>4018359361822    | L00005A0083<br>4018359361839      | L00005A0084<br>4018359361846        | L00005A0085<br>4018359361853         | L00005A0086<br>4018359361860       | 10.0M   | 20   |