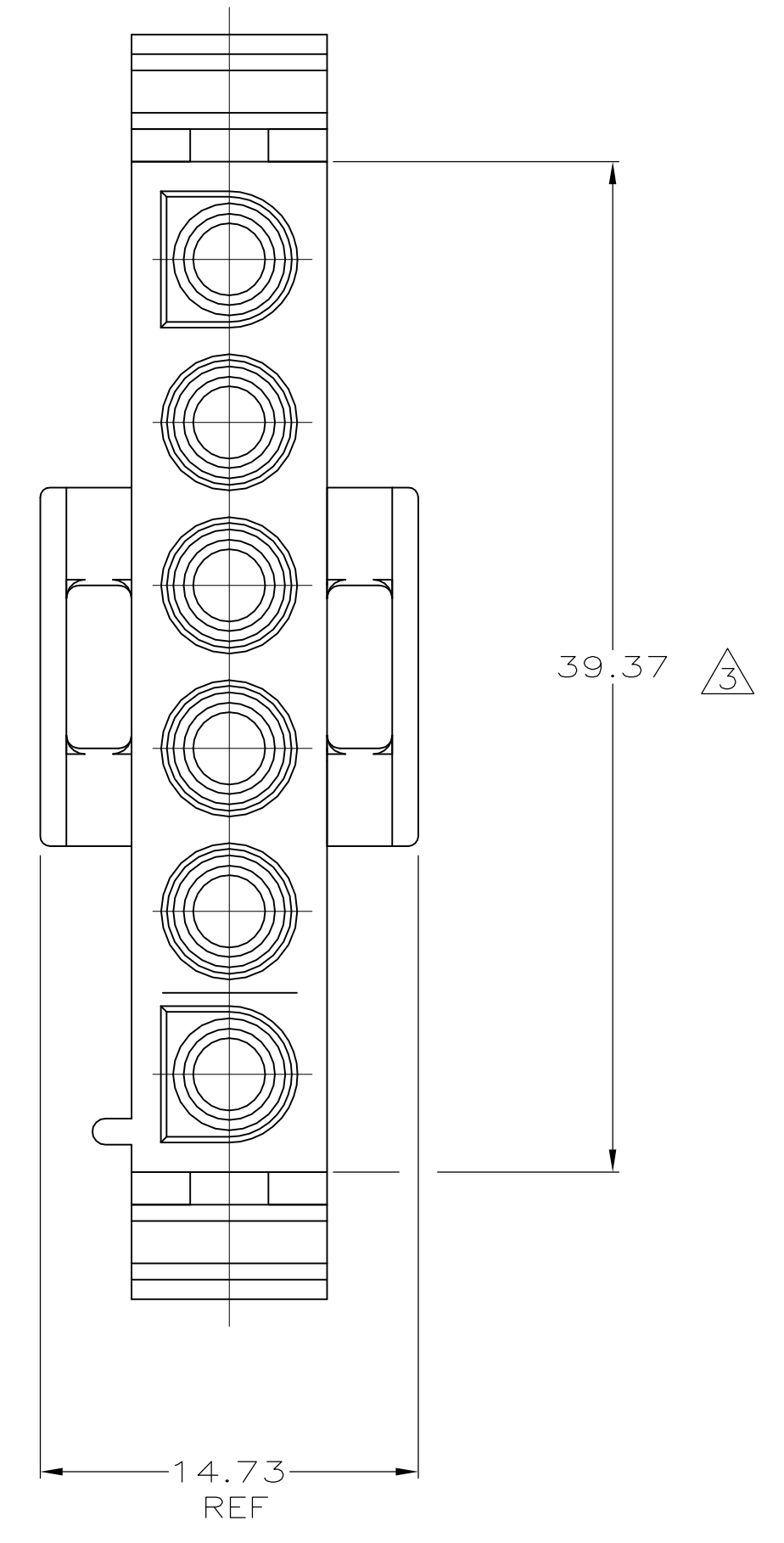
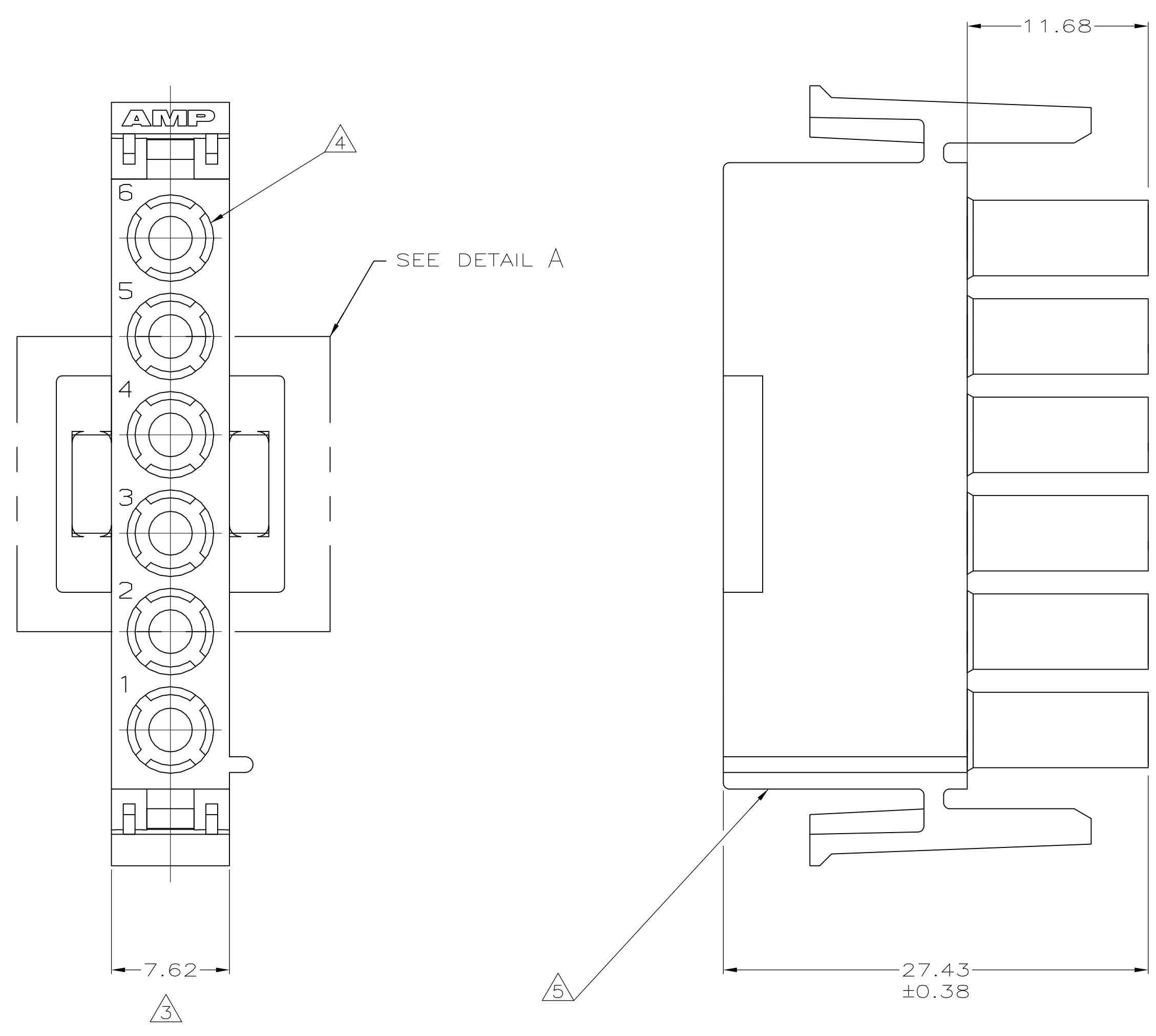
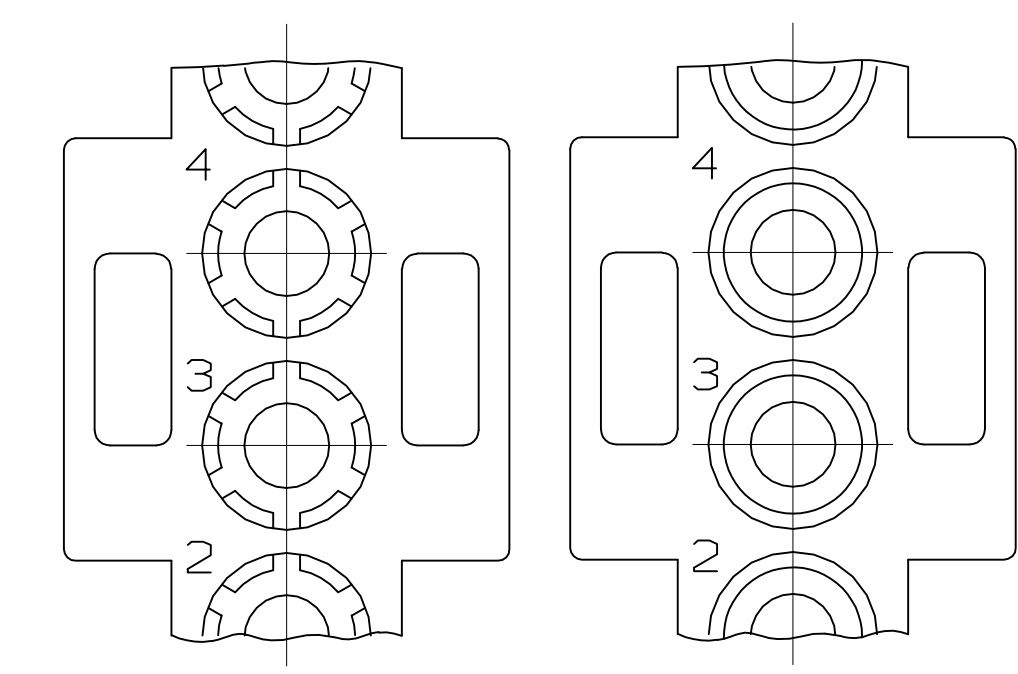
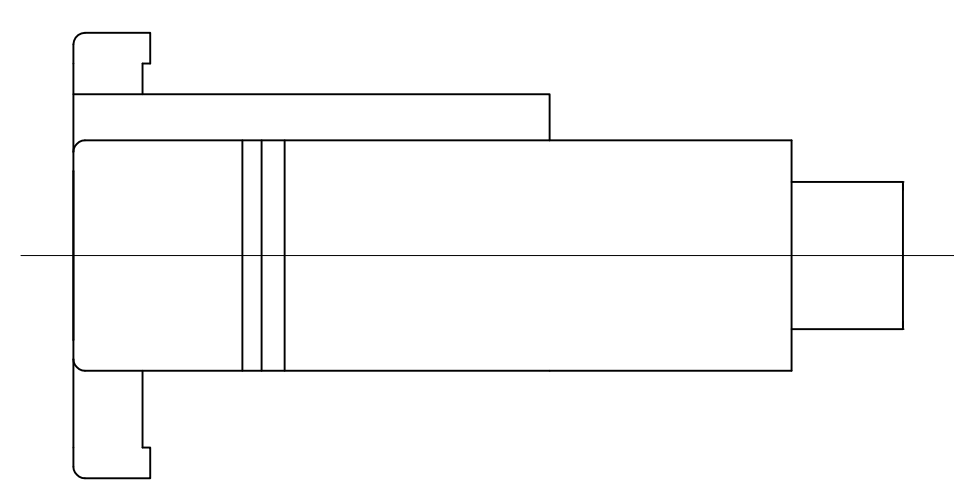


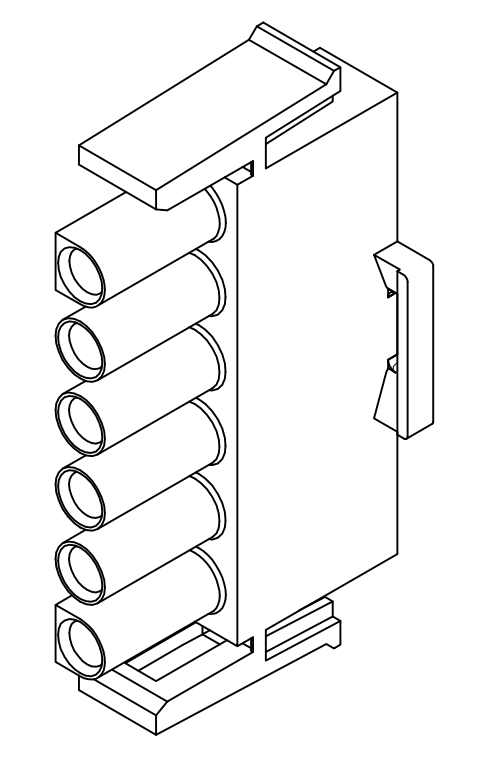
| LOC | DIST | REVISIONS |                           |         |    |      |
|-----|------|-----------|---------------------------|---------|----|------|
| CM  | 0    | REV       | DESCRIPTION               | DATE    | BY | APPV |
|     |      | T3        | REVISED PER ECO-11-004587 | 11MAR11 | RK | HMR  |
|     |      | T4        | REVISED PER ECR-14-005051 | 04APR14 | AV | KD   |
|     |      | T5        | REVISED PER ECR-14-010097 | 10JUL14 | AV | KD   |



- MATES WITH APPROPRIATE UNIVERSAL MATE-N-LOK™ CAP OR HEADER.
- SMALL NICKS ARE PERMITTED ON THE CIRCUIT TOWERS WHICH COULD INCREASE THE INITIAL HOUSING MATING FORCE BY UP TO 4.4 NEWTONS [1.0 LBS]. NO INDIVIDUAL NICKED TOWER SHALL INCREASE THIS FORCE BY OVER 2.2 NEWTONS [.5 LBS].
- DIMENSION INDICATED IS AS MOLDED. ADDITIONAL GROWTH DUE TO SUBSEQUENT MOISTURE ABSORPTION MAY OCCUR.
- FOUR RIBS EQUALLY SPACED, NO SPECIFIC ORIENTATION. NO RIBS OR SIX RIBS EQUALLY SPACED, NO SPECIFIC ORIENTATION, OPTIONAL.
- UNDERWRITERS RECOGNIZED COMPONENT LOGO AND CSA CERTIFICATION LOGO TO BE LOCATED ONCE EACH ON SIDE OF HOUSING.
- MATERIAL CORRESPONDING TO THE REQUIREMENT OF IEC60335-1 (INCL. GWT 750°C WITHOUT FLAME)
- PRELIMINARY PART NOT RELEASED FOR PRODUCTION.



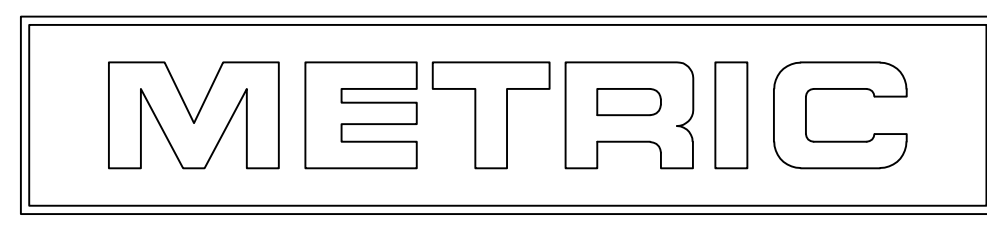
DETAIL A  
OPTIONAL CONSTRUCTIONS



3-DIMENSIONAL MODEL

| MM    | IN    |
|-------|-------|
| 39.37 | 1.550 |
| 27.43 | 1.080 |
| 14.73 | .580  |
| 11.68 | .460  |
| 7.62  | .300  |
| 0.38  | .015  |
| 0.13  | .005  |
| MM    | IN    |

CONVERSION TABLE



| PA66,UL 94V-0 | NATURAL         | 640581-2    |
|---------------|-----------------|-------------|
| PA66,UL 94V-0 | BLUE            | 1-640581-6  |
| PA66,UL 94V-0 | RED             | 1-640581-2  |
| PA66,UL 94V-0 | NATURAL (WHITE) | 640581-1    |
| MATERIAL      | COLOR           | PART NUMBER |

THIS DRAWING IS A CONTROLLED DOCUMENT.

|                         |  |                            |                         |                          |   |
|-------------------------|--|----------------------------|-------------------------|--------------------------|---|
| DIMENSIONS: mm [INCHES] | TOLERANCES UNLESS OTHERWISE SPECIFIED: | DWG: K. WHITAKER 09AJG2007 | CHK: D. COLEY 09AJG2007 | APVD: D. COLEY 09AJG2007 | NAME: PLUG, 6 CIRCUIT, UNIVERSAL MATE-N-LOK(TM) |
| 0. PLC ± -              | 1. PLC ± -                             | 2. PLC ± 0.13              | 3. PLC ± -              | 4. PLC ± -               | ANGLES ± 0.30°                                  |
| MATERIAL: SEE TABLE     | FINISH: -                              | SIZE: A1                   | CAGE CODE: 00779        | DRAWING NO: 640581       | RESTRICTED TO: -                                |
| CUSTOMER DRAWING        |  | SCALE: 4:1                 | SHEET: 1 OF 1           | REV: T5                  |   |

STE TE Connectivity