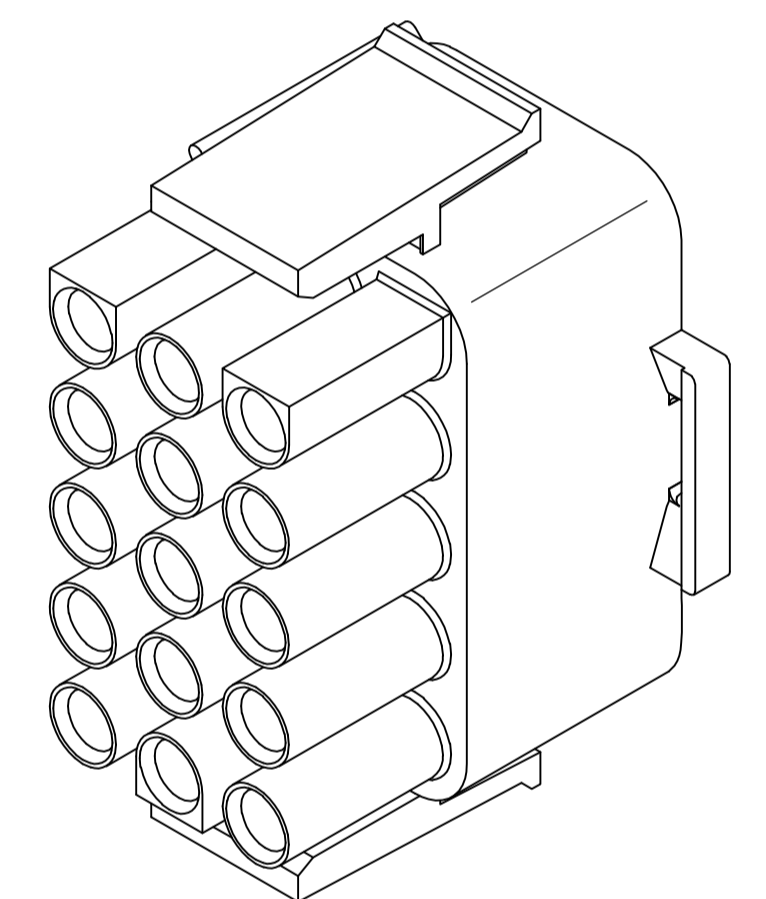
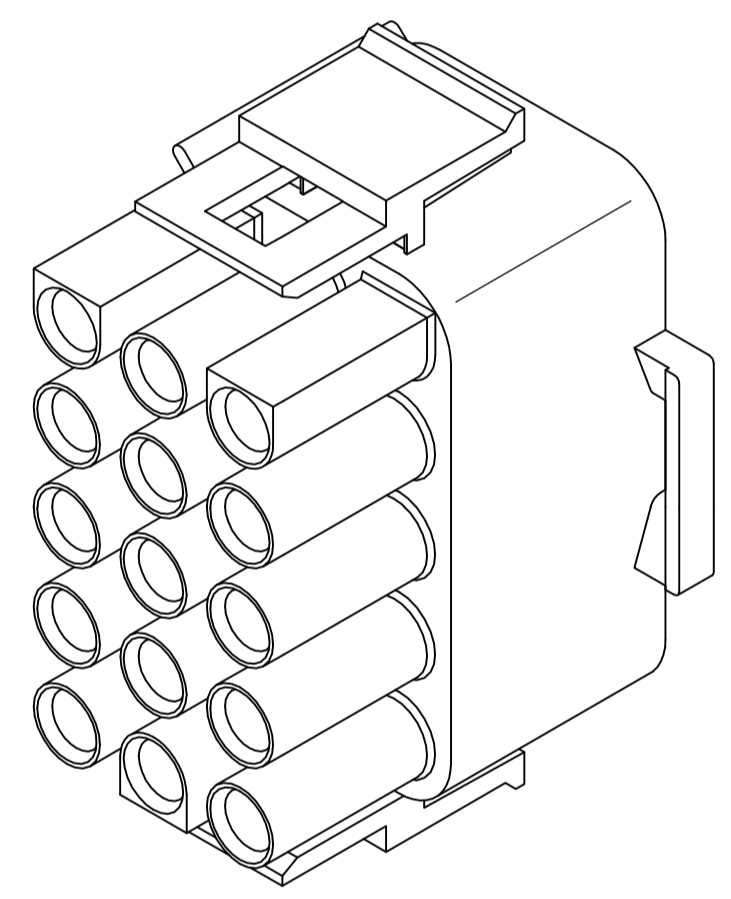


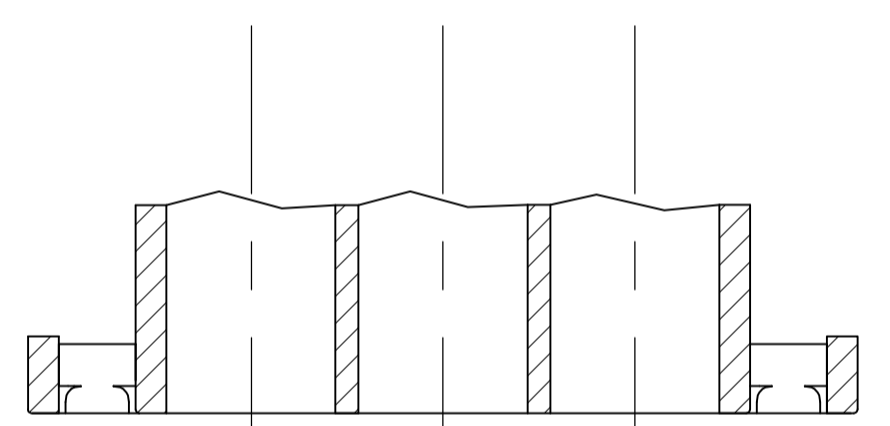
- MATES WITH APPROPRIATE UNIVERSAL MATE-N-LOK™ CAP OR HEADER.
- SMALL NICKS ARE PERMITTED ON THE CIRCUIT TOWERS WHICH COULD INCREASE THE INITIAL HOUSING MATING FORCE BY UP TO 4.4 NEWTONS [1.0 LBS]. NO INDIVIDUAL NICKED TOWER SHALL INCREASE THIS FORCE BY OVER 2.2 NEWTONS [.5 LBS].

- △3 DIMENSION INDICATED IS AS MOLDED. ADDITIONAL GROWTH DUE TO SUBSEQUENT MOISTURE ABSORPTION MAY OCCUR.
- △4 FOUR RIBS EQUALLY SPACED, NO SPECIFIC ORIENTATION. OR SIX RIBS EQUALLY SPACED, NO SPECIFIC ORIENTATION, OPTIONAL.
- △5 NOT MANUFACTURED IN U.S.
- △6 UNDERWRITERS RECOGNIZED COMPONENT LOGO AND CSA CERTIFICATION LOGO TO BE LOCATED ONCE ON EACH SIDE OF HOUSING.

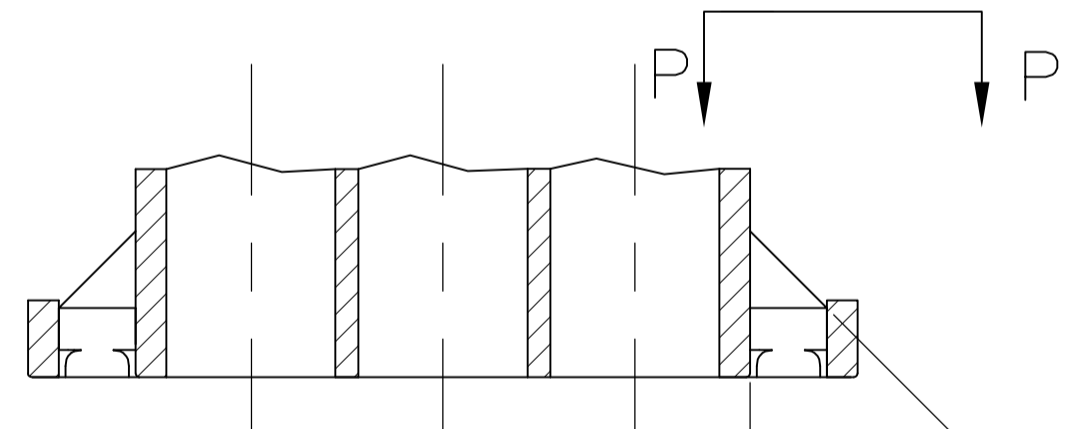


350736-4 3-DIMENSIONAL MODEL NTS

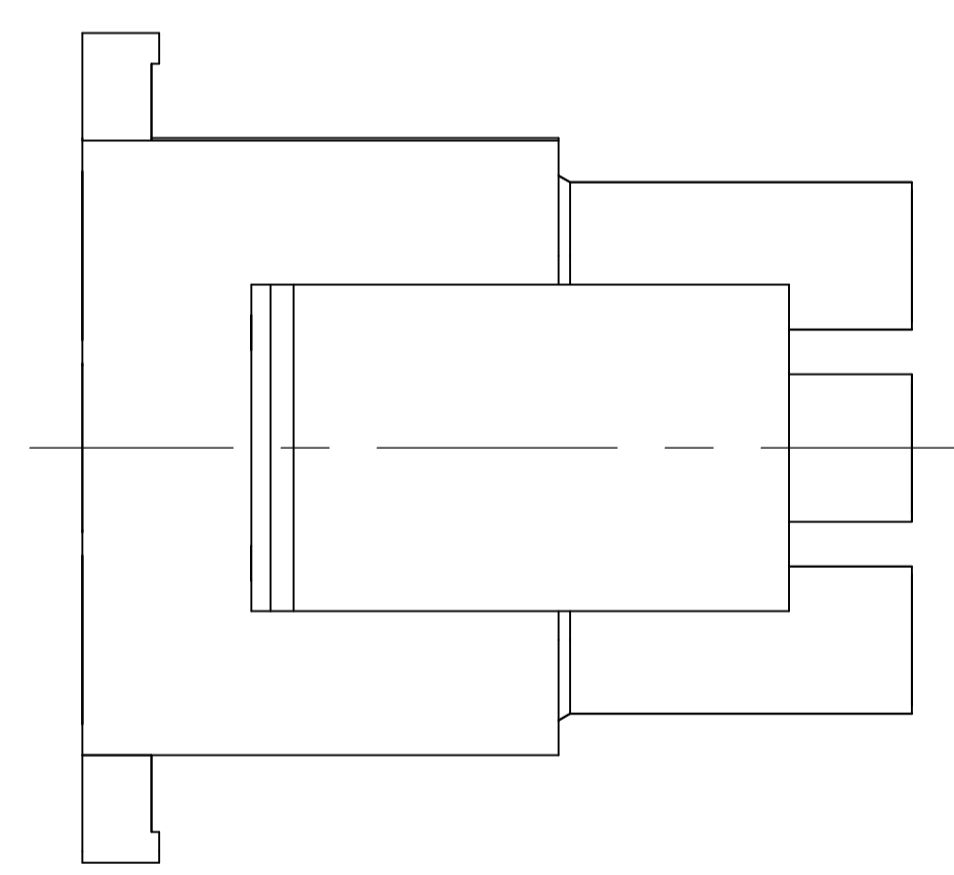
3-DIMENSIONAL MODEL NTS



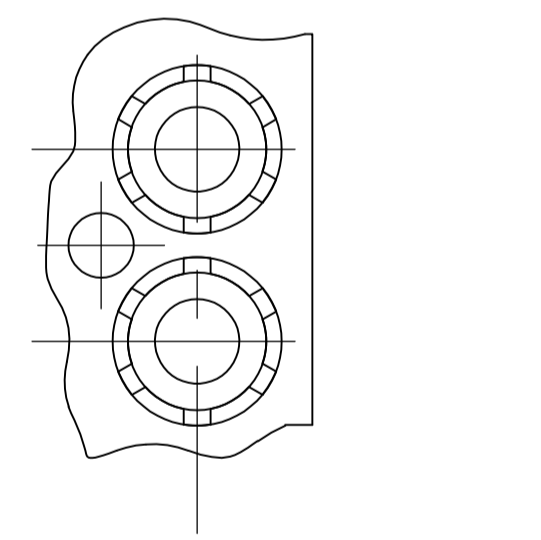
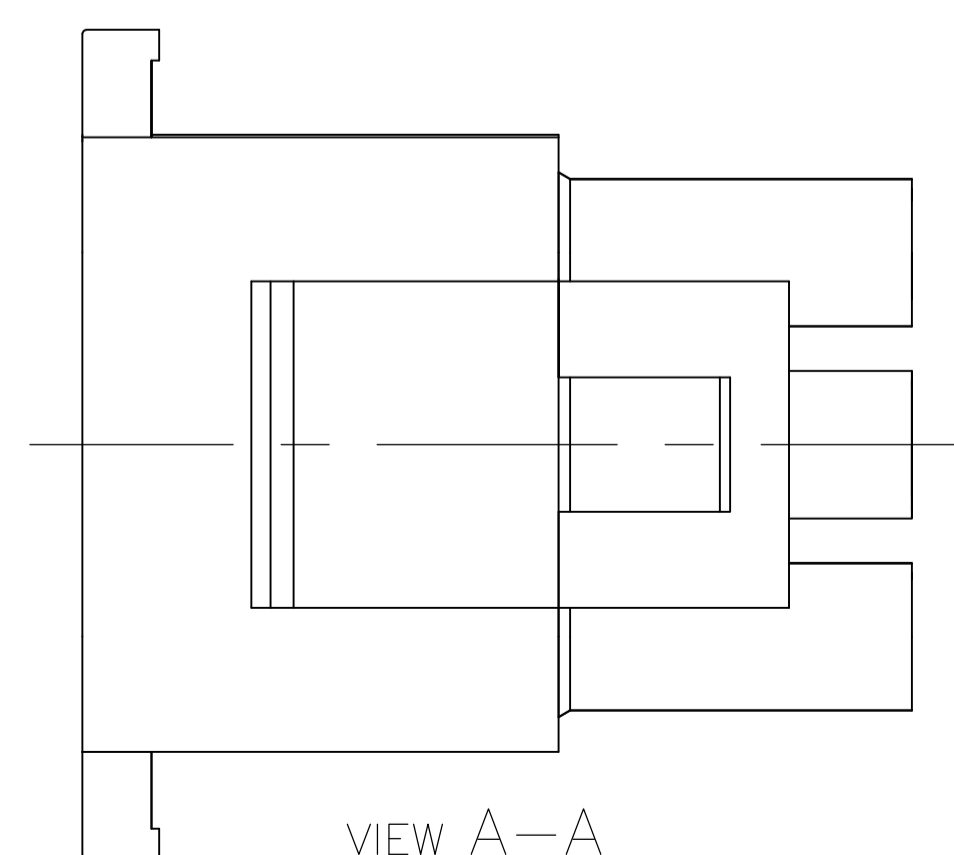
PARTIAL SECTION C-C



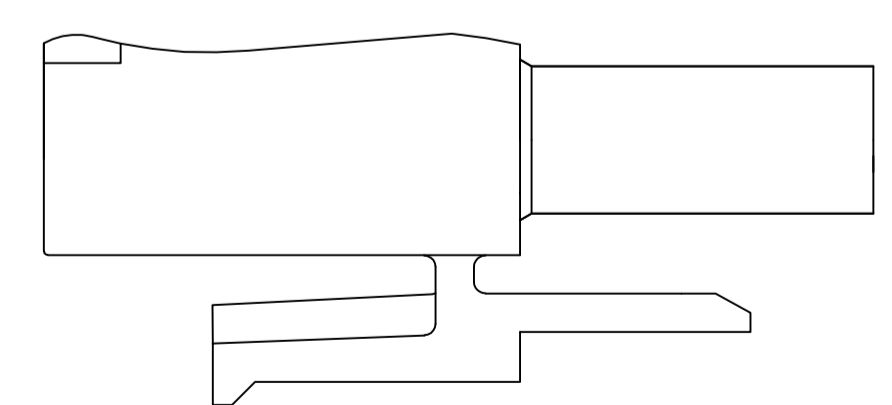
PARTIAL SECTION C-C OPTIONAL CONSTRUCTION 45° REF



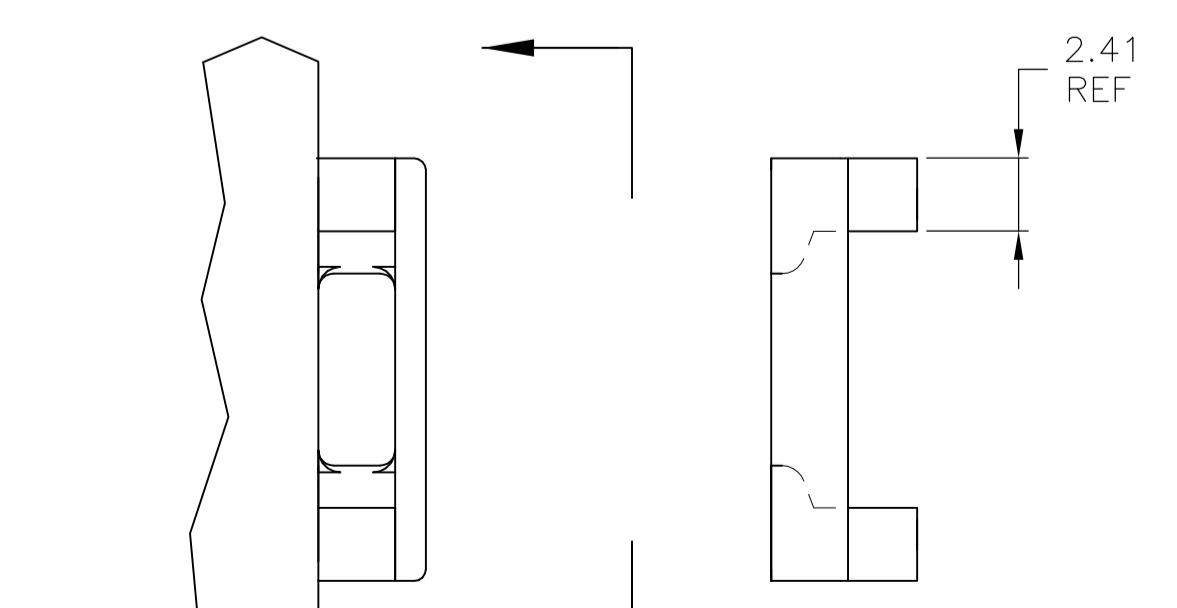
VIEW A-A 350736-4 ONLY



PARTIAL DETAIL D OPTIONAL CONSTRUCTION

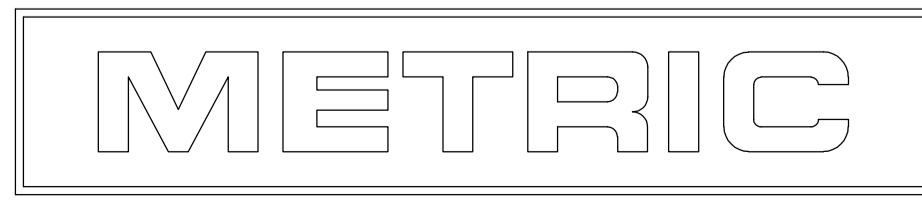


DETAIL B 350736-4 ONLY



VIEW P OPTIONAL CONSTRUCTIONS

| | |
|---------|-------------|
| BLACK | 1-350736-9 |
| GRAY | 1-350736-8 |
| BLUE | 1-350736-6 |
| GREEN | 1-350736-5 |
| YELLOW | 1-350736-4 |
| ORANGE | 1-350736-3 |
| RED | 1-350736-2 |
| BROWN | 1-350736-1 |
| △ | 350736-4 |
| NATURAL | 350736-1 |
| COLOR | PART NUMBER |



THIS DRAWING IS A CONTROLLED DOCUMENT.

| | | | | | |
|---------------------------|--|--------------------------|-----------------------|-----------------------|---|
| DIMENSIONS: mm | TOLERANCES UNLESS OTHERWISE SPECIFIED: | DWN: K. WHITAKER 20FEB92 | CHK: R. SWING 20FEB92 | APVD: D. SELF 24FEB92 | NAME: PLUG, 15 CIRCUIT, UNIVERSAL MATE-N-LOK™ |
| 0. PLC ± - | 1. PLC ± - | 2. PLC ± 0.13 | 3. PLC ± - | 4. PLC ± - | ANGLE ± 0.30° |
| MATERIAL: NYLON, UL 94V-0 | FINISH: - | WEIGHT: - | SIZE: A1 | CAGE CODE: 00779 | DRAWING NO: 350736 |
| CUSTOMER DRAWING | | SCALE: 4:1 | SHEET: 1 of 1 | REV: W | RESTRICTED TO: - |

STE TE Connectivity