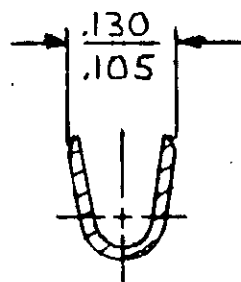
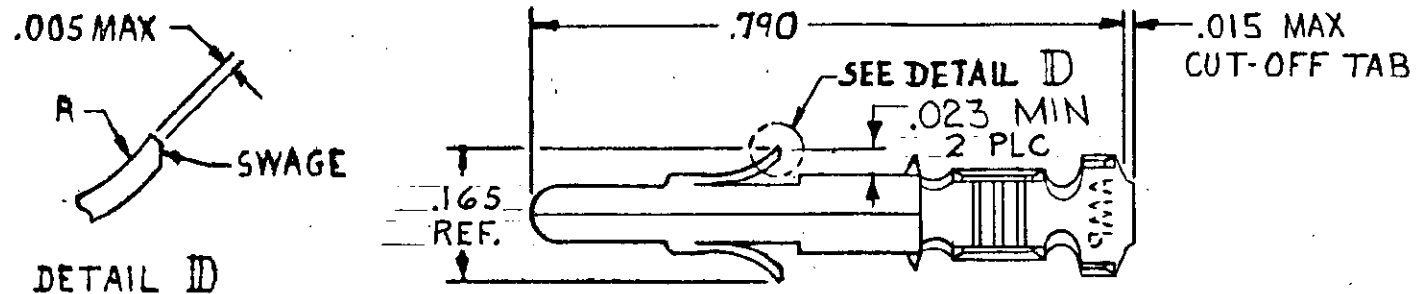


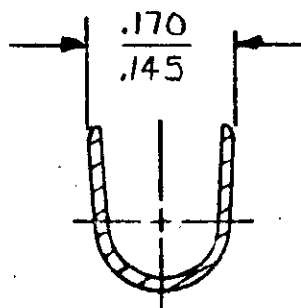
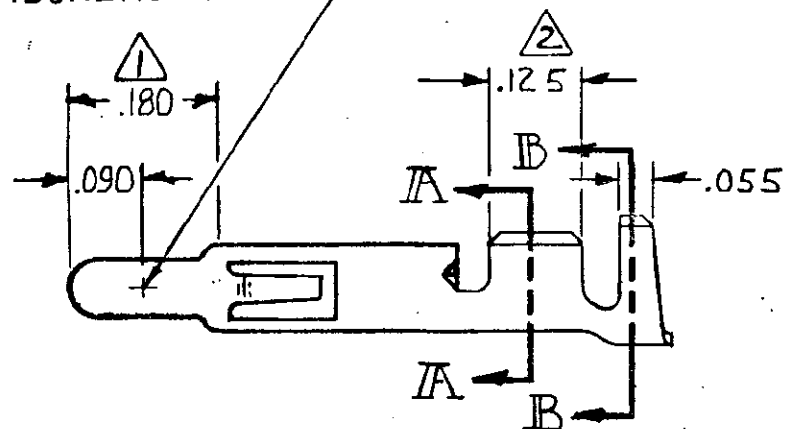
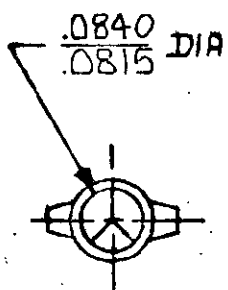
© COPYRIGHT

| REVISIONS | | | | | | |
|-----------|---|------|-----|---------------------------|---------|----------|
| P | F | ZONE | LTR | DESCRIPTION | DATE | APPROVED |
| ✓ | ✓ | | R | REVISED PER ECR-12-013323 | 10AUG12 | TM |



SECTION A-A

POINT OF MEASUREMENT



SECTION B-B

- ① PLATED WITH .000030 GOLD, OVER .000050 NICKEL UNDERPLATE
- ② PLATED INTERNALLY WITH .000030 GOLD.
- ③ INSULATION RANGE: .060-.130 DIA

| | | | |
|---------|-----|---------------|----------|
| GOLD | ① | .012 BRASS | 350547-7 |
| | | .012 PH. BRZ | 350547-6 |
| PRE-TIN | | .012 PH. BRZ. | 350547-3 |
| GOLD | ①/② | .012 BRASS | 350547-2 |
| PRE-TIN | | | 350547-1 |
| FINISH | | MATERIAL | PART NO |

| | | |
|--|-------------|--------------------|
| UNLESS OTHERWISE SPECIFIED DIMENSIONS ARE IN INCHES. TOLERANCES ON: DECIMALS ± .015 ANGLES ± | CONTRACT NO | |
| | DR | M. FEHER 5-6-81 |
| | CHK | D.S. Heisle 6/9/81 |
| | APPD | A. Polaski 6-10-81 |
| WIRE RANGE | 20-14 AWG | |
| INSULATION RANGE | ③ | |
| DSGN APPD | | |
| OTHER APPD | | |

| | | |
|---|---------------|------------|
| STE TE Connectivity | | |
| NAME PIN, (LOOSE PIECE) UNIVERSAL MATE-N-LOK | | |
| SIZE | CODE IDENT NO | DRAWING NO |
| B | 00779 | 350547 |
| SCALE 4-1 | SHEET # | |