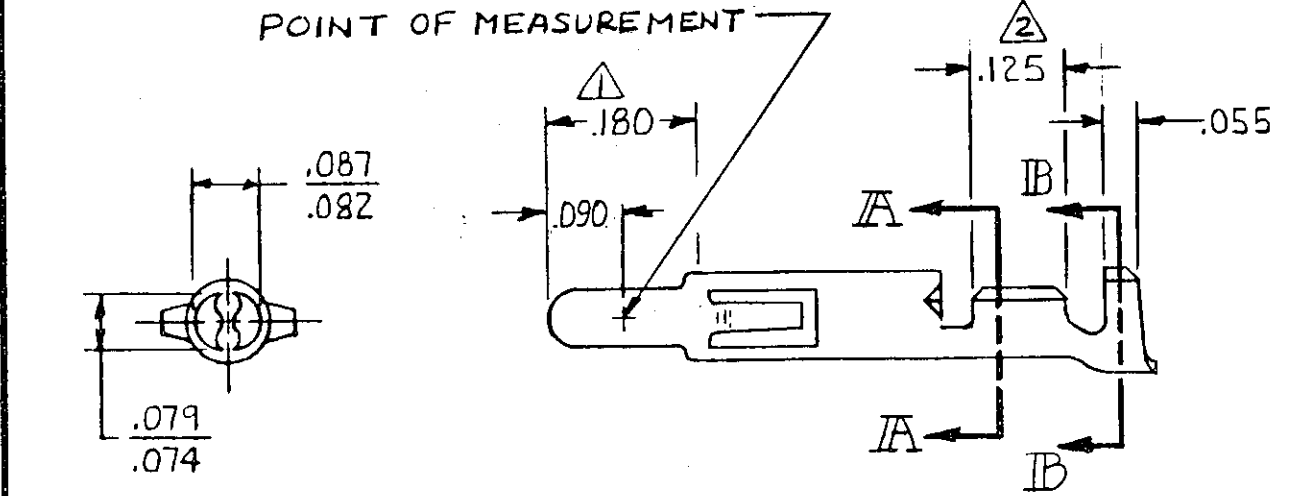
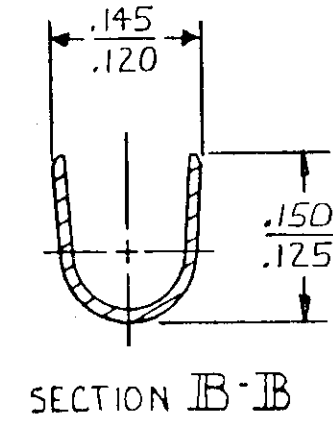
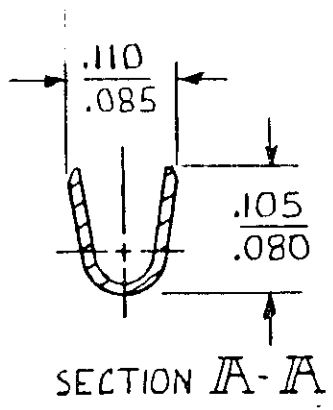
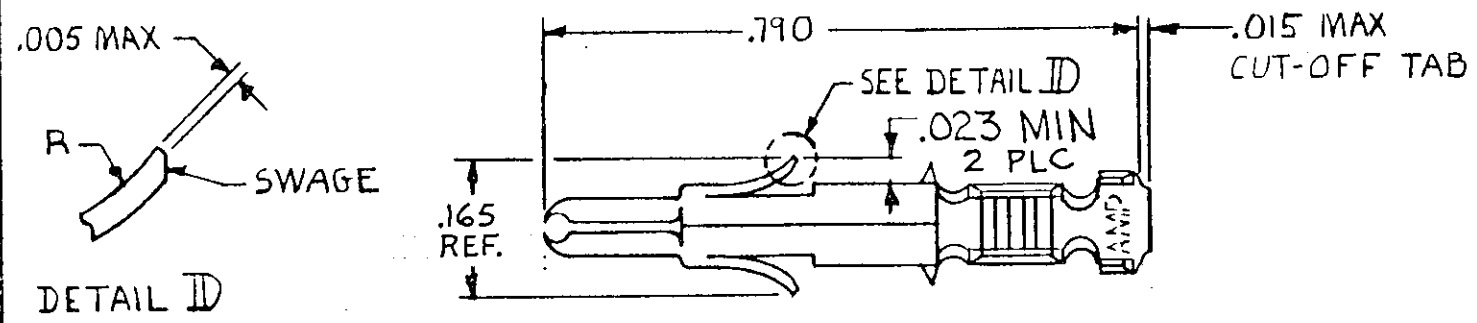


© COPYRIGHT

REVISIONS						
P.	F.	ZONE	LTR	DESCRIPTION	DATE	APPROVED
			J	REVISED PER ECR-12-013323	10AUG12	TM



- 1 PLATED WITH .000030 GOLD, OVER .000050 NICKEL UNDER PLATE.
- 2 PLATED INTERNALLY WITH .000030 GOLD.
- 3 INSULATION RANGE: .040-.100 DIA.

.012 BRASS	GOLD 1	350706-7
.012 BRASS	GOLD 1/2	350706-2
	PRE-TIN	350706-1
MATERIAL	FINISH	PART NO

UNLESS OTHERWISE SPECIFIED DIMENSIONS ARE IN INCHES. TOLERANCES ON: DECIMALS ±.015 ANGLES ±	CONTRACT NO
	DR m. Feher 4-9-81
	CHK D. Heide 6/9/81
	APPD R. Palashub 6/10/81
WIRE RANGE	DSGN APPD
24-18 AWG	OTHER APPD
INSULATION RANGE	
3	

TE TE Connectivity		
NAME SPLIT PIN, (LOOSE PIECE) UNIVERSAL MATE-N-LOK		
SIZE	CODE IDENT NO	DRAWING NO
B	00779	350706
SCALE 4-1	SHEET	