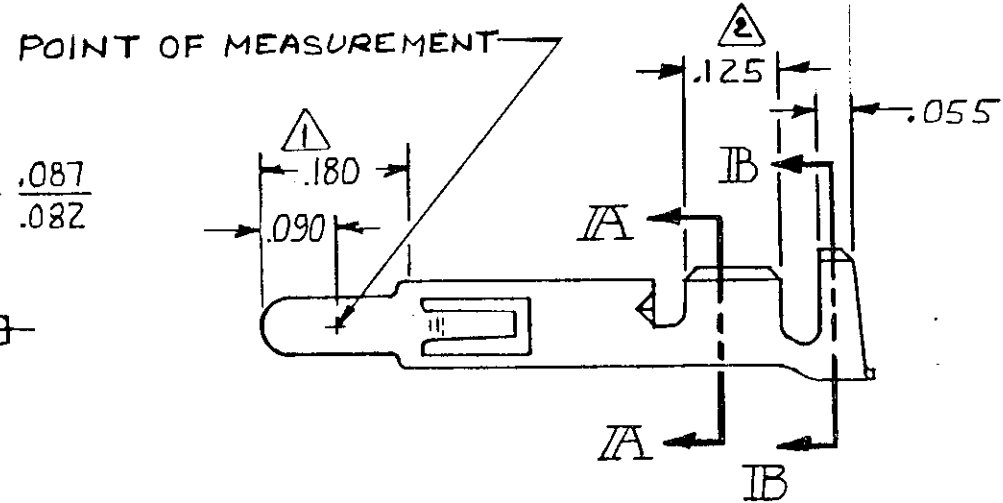
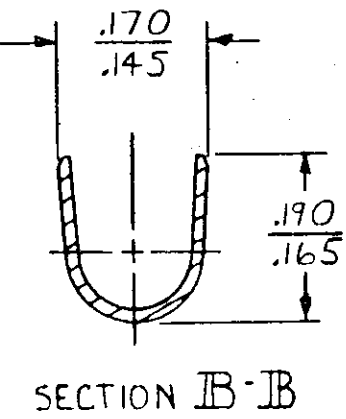
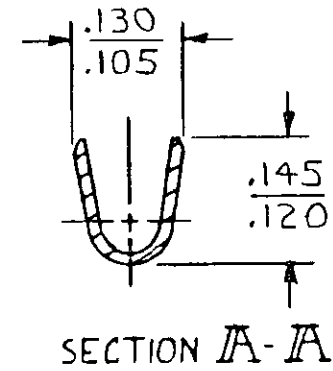
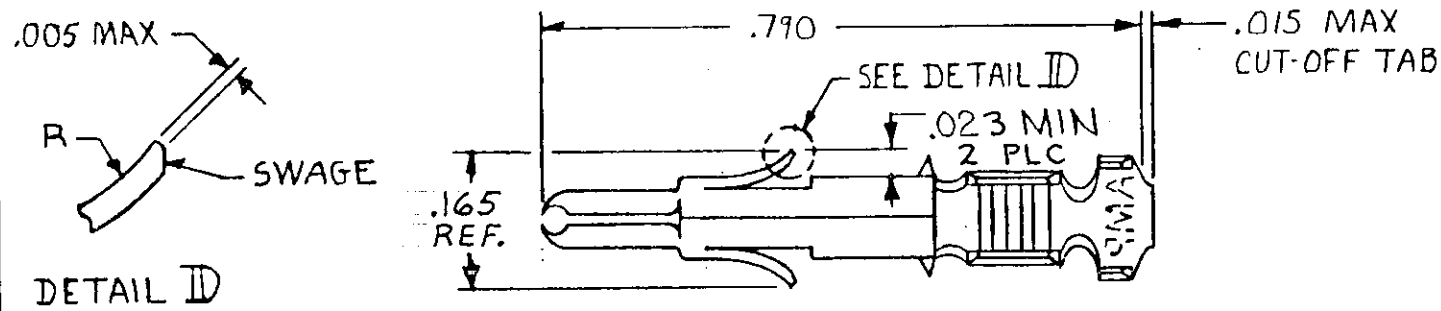


© COPYRIGHT

REVISIONS						
P	F	ZONE	LTR	DESCRIPTION	DATE	APPROVED
			K	REVISED PER ECR-12-013323	10AUG12	TM



- ① PLATED WITH .000030 GOLD, OVER .000050 NICKEL UNDERPLATE.
- ② PLATED INTERNALLY WITH .000030 GOLD.
- ③ INSULATION RANGE: .060-.130 DIA.

MATERIAL	FINISH	PART NO
.012 BRASS	GOLD ①	350705-7
.012 BRASS	GOLD ①/②	350705-2
	PRE-TIN	350705-1

UNLESS OTHERWISE SPECIFIED DIMENSIONS ARE IN INCHES. TOLERANCES ON: DECIMALS ±.015 ANGLES ±	CONTRACT NO	TE Connectivity		
	DR <i>m.FEHER 4-8-81</i>			
	CHK <i>D.S. Heide 4/9/81</i>	NAME	SPLIT PIN, (LOOSE PIECE) UNIVERSAL MATE-N-LOK	
	APPD <i>R. Calachuk 6-10-81</i>	APPD	SIZE	CODE IDENT NO
WIRE RANGE 20-14 AWG	DSGN APPD	<b>B</b>	<b>00779</b>	<b>350705</b>
INSULATION RANGE ③	OTHER APPD	SCALE 4-1	SHEET	