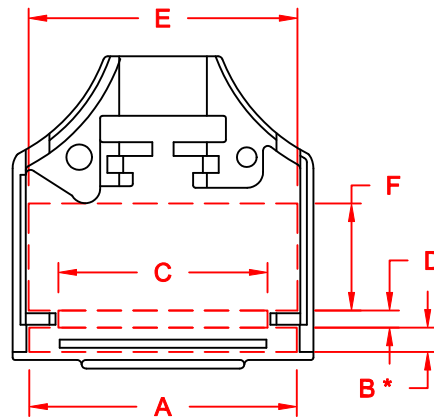


9-PIN



15-PIN

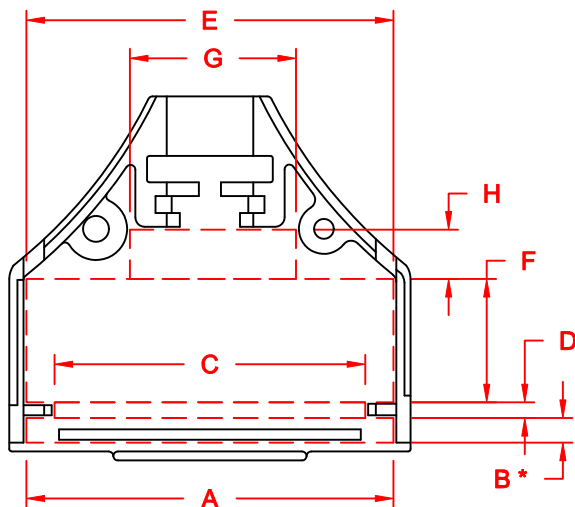
DIMENSIONS (mm)				
	9	15	25	37
A	26.92	35.68	48.97	58.11
B*	3.32	3.25	3.27	5.68
C	19.22	27.91	41.45	65.53
D	2.10	2.28	2.10	15.82
E	27.10	35.86	48.97	57.68
F	13.36	14.27	16.45	3.14
G			22.14	32.25
H			6.57	6.57
PCB	X	10.76	11.02	11.20

SEE NOTE 1. →

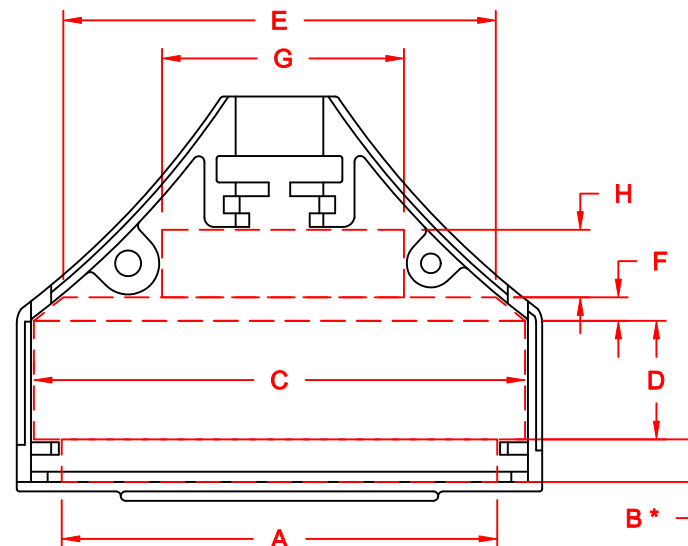
SEE NOTE 2. →

**NOTE:**

- "B" DIMENSION MEASURED FROM BACK SIDE OF CONNECTOR FLANGE
- MIN. SAFE SPACING BETWEEN BACK SHELLS FOR PCB AND MOUNTED COMPONENTS
- THESE DIMENSIONS ARE GOOD FOR THE BLACK CHROMATE AND NICKEL PLATED DIE CAST BACK SHELLS



25-PIN



37-PIN

**DIE CAST**

THESE DRAWINGS AND SPECIFICATIONS ARE THE PROPERTY OF MH CONNECTORS LTD. AND SHALL NOT BE REPRODUCED, COPIED OR USED AS THE BASIS FOR THE MANUFACTURE OR SALE OF APPARATUS WITHOUT WRITTEN PERMISSION.

<b>DRAWN</b> P. JENKINS	<b>DATE</b> 03-23-12
----------------------------	-------------------------

<b>APPROVED</b> D. CROFT	<b>DATE</b> 03-23-12
-----------------------------	-------------------------

<b>SCALE</b> NTS	<b>SHEET OF</b> 1 OF 1	<b>REV:</b> A
---------------------	---------------------------	------------------

**DRAWING No**  
MHTZK-BK ASSEMBLY



**MH CONNECTORS LTD.**