

DIMENSIONS (mm)

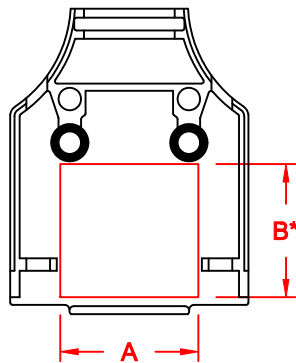
	9	15	25	37
A	18.77	27.33	41.22	57.15
B*	17.83	19.91	20.09	19.55
C			33.17	49.27
D			8.89	7.87
PCB	11.04	11.04	11.04	11.04

SEE NOTE 1. →

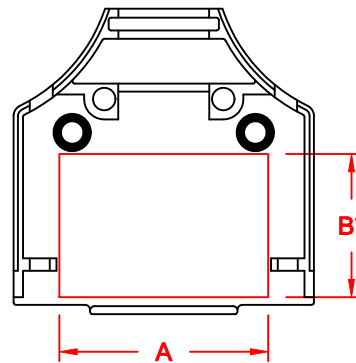
SEE NOTE 2. →

NOTE:

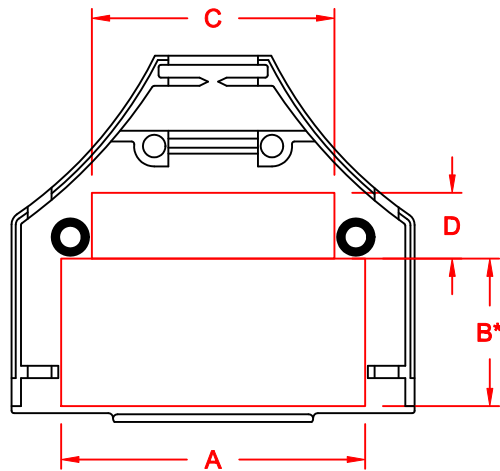
1. "B" DIMENSION MEASURED FROM BACK SIDE OF CONNECTOR FLANGE
2. MIN. SAFE SPACING BETWEEN BACK SHELLS FOR PCB AND MOUNTED COMPONENTS
3. THESE DIMENSIONS ARE GOOD FOR THE NICKEL PLATED DIE CAST BACK SHELLS



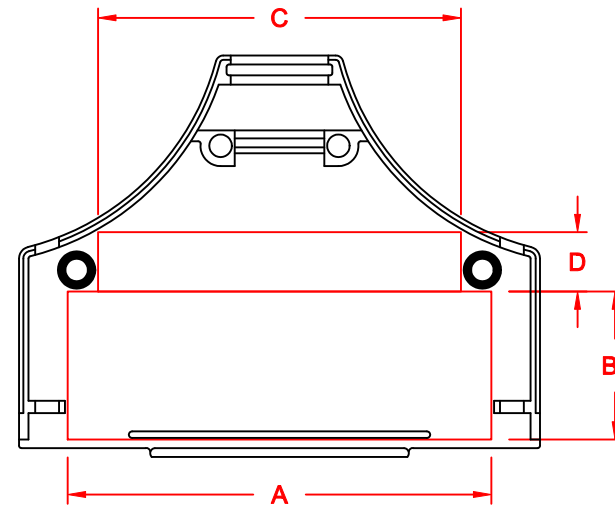
9-PIN



15-PIN



25-PIN



37-PIN

DIE CAST

THESE DRAWINGS AND SPECIFICATIONS ARE THE PROPERTY OF MH CONNECTORS LTD. AND SHALL NOT BE REPRODUCED, COPIED OR USED AS THE BASIS FOR THE MANUFACTURE OR SALE OF APPARATUS WITHOUT WRITTEN PERMISSION.

DRAWN
P. JENKINS
DATE
03-23-12

APPROVED
D. CROFT
DATE
03-23-12



MH CONNECTORS LTD.

SCALE
NTS
SHEET OF
1 OF 1
REV:
A

DRAWING No
MHDM INTERNAL