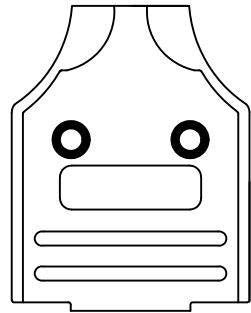
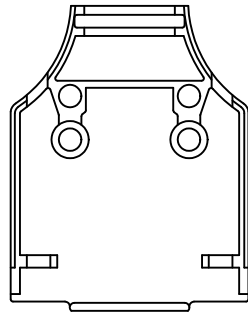


ASSEMBLY INSTRUCTIONS:

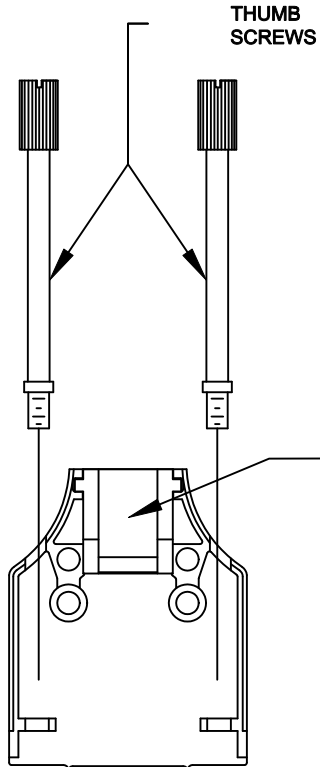
1. PREPARE CABLE ENDS, CONNECT TO CONNECTOR
2. SELECT CORRECT INSERT SIZE FOR CABLE BEING USED, PLACE LONG INSERT INTO RECESS AREA OF BASE HOOD
3. PLACE SHORT INSERT INTO RECESS OF COVER HOOD
4. PLACE CABLE INTO INSERT IN BASE HOOD. USING EITHER THE FLAT OR CURVED STRAIN RELIEF (OR BOTH), CLAMP THE CABLE MAKING SURE THE JACKET IS BELOW THE STRAIN RELIEF
5. IF CABLE IS SHIELDED, FOLD SHIELD AND/OR GROUND WIRE BACK UNDER STRAIN RELIEF. CUT OFF ANY EXCESS WIRE SO IT DOES NOT STICK OUT OF THE STRAIN RELIEF
6. PLACE THE THUMBSCREWS INTO THE BASE HOOD
7. PLACE THE CONNECTOR INTO THE BASE HOOD AND PLACE COVER HOOD ON TOP OF THE BASE HOOD, MAKING SURE NO WIRES ARE PINCHED
8. HOLDING THE HOODS TOGETHER, SCREW THE TWO HOOD SECTIONS TOGETHER USING THE SCREWS PROVIDED



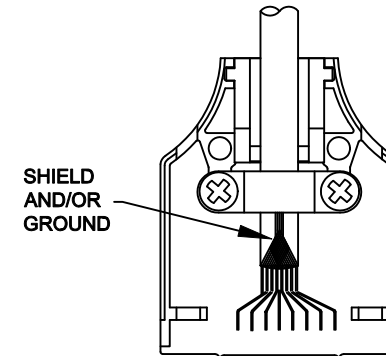
COVER HOOD



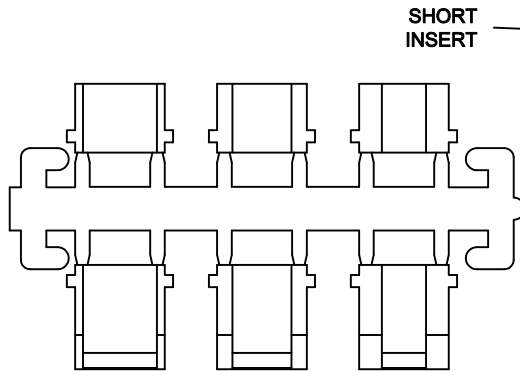
BASE HOOD



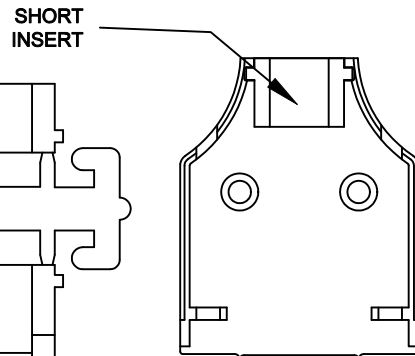
ITEM No. 2 & 6



ITEM No. 4 & 5



METALIZED PLASTIC INSERTS



ITEM No. 3



CURVED STRAIN RELIEF



STRAIN RELIEF SCREW



FLAT STRAIN RELIEF



HOUSING SCREW

DIE CAST

THESE DRAWINGS AND SPECIFICATIONS ARE THE PROPERTY OF MH CONNECTORS LTD. AND SHALL NOT BE REPRODUCED, COPIED OR USED AS THE BASIS FOR THE MANUFACTURE OR SALE OF APPARATUS WITHOUT WRITTEN PERMISSION.

DRAWN P. JENKINS	DATE 03-23-12
APPROVED D. CROFT	DATE 03-23-12



MH CONNECTORS LTD.

SCALE NTS	SHEET OF 1 OF 1	REV: A
DRAWING No MHDM ASSEMBLY		