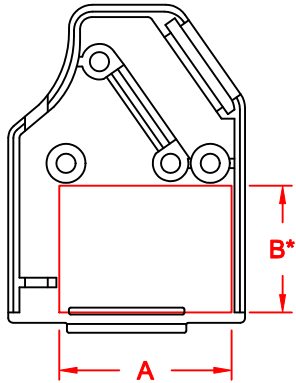
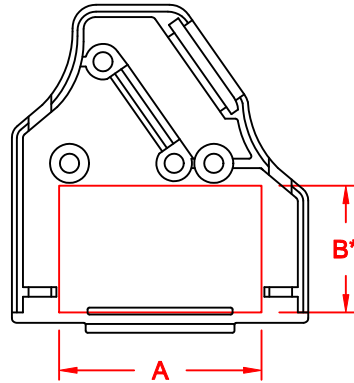


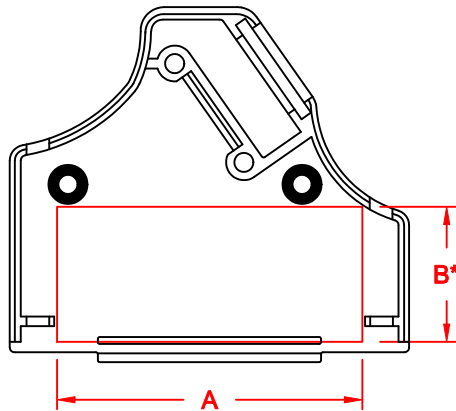
DIMENSIONS (mm)				
	9	15	25	37
SEE NOTE 1. → A	23.29	27.35	40.64	57.48
B *	17.62	17.52	18.28	18.61
C				38.40
D				9.27
SEE NOTE 2. → PCB	11.25	11.25	11.25	11.25



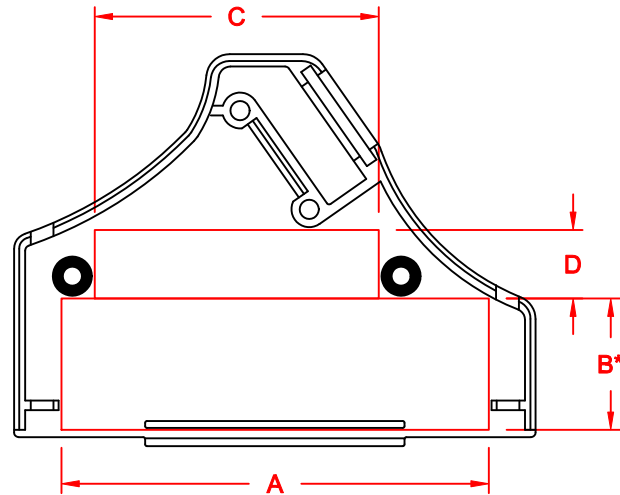
9-PIN



15-PIN



25-PIN




37-PIN

NOTE:

1. "B" DIMENSION MEASURED FROM BACK SIDE OF CONNECTOR FLANGE
2. MIN. SAFE SPACING BETWEEN BACK SHELLS FOR PCB AND MOUNTED COMPONENTS
3. THESE DIMENSIONS ARE GOOD FOR THE NICKEL PLATED DIE CAST BACK SHELLS

DIE CAST

THESE DRAWINGS AND SPECIFICATIONS ARE THE PROPERTY OF MH CONNECTORS LTD. AND SHALL NOT BE REPRODUCED, COPIED OR USED AS THE BASIS FOR THE MANUFACTURE OR SALE OF APPARATUS WITHOUT WRITTEN PERMISSION.	DRAWN P. JENKINS	DATE 03-23-12	
	APPROVED D. CROFT	DATE 03-23-12	
	SCALE NTS	SHEET OF 1 OF 1	REV: A
	MH CONNECTORS LTD. DRAWING No MHD35 INTERNAL		