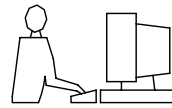


THIS IS A C.A.D. GENERATED DRAWING  
DO NOT MAKE MANUAL REVISIONS TO MASTER.

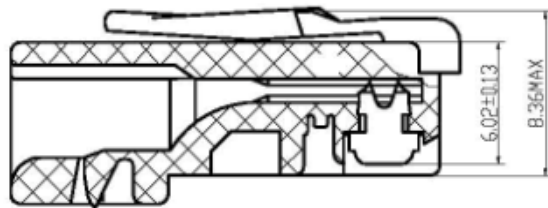
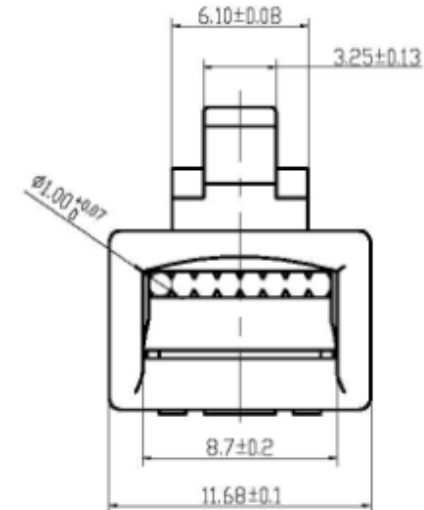
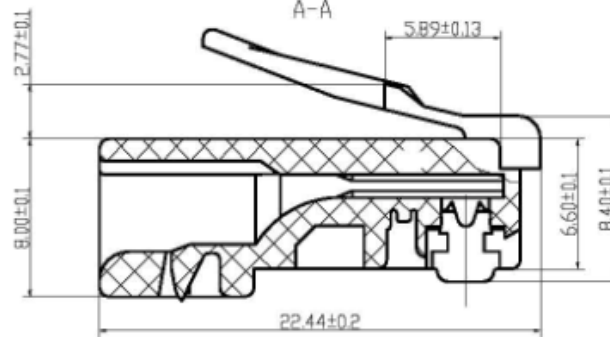
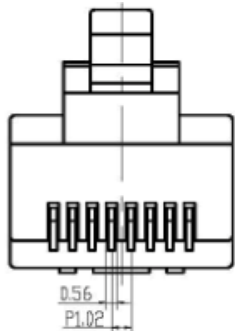
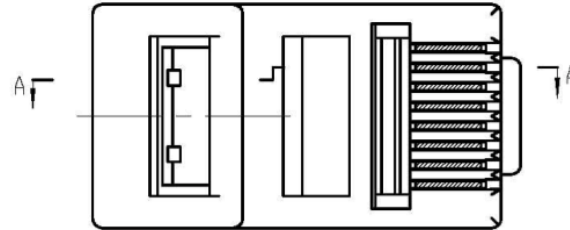


\* UNLESS OTHERWISE SPECIFIED TOLERANCES  
ON DECIMAL IS: ANGLE  $\pm 1^\circ$   
.XX  $\pm 0.35$

UNIT: MM

Electrical:  
Contact current rating: 1.5AMPS  
Dielectric withstanding voltage: 500VAC  
Insulation resistance: 1000 MegOhms Min.  
Contact resistance: 30 MilliOhms Max  
Operating temperature: -55°C to +85°C

Materials:  
Contacts: Copper alloy  
Insulator: Thermoplastic PA9T UL 94V-0  
Shell: Steel



THESE DRAWINGS AND SPECIFICATIONS ARE THE  
PROPERTY OF MH CONNECTORS LTD. AND SHALL NOT  
BE REPRODUCED, COPIED OR USED AS THE BASIS FOR  
THE MANUFACTURE OR SALE OF APPARATUS WITHOUT  
WRITTEN PERMISSION.

DRAWN BOTOMA.SONG	DATE 08-07-12
APPROVED	DATE



THIS SERIES FULLY CONFORMS TO THE  
EUROPEAN UNION DIRECTIVES 2002/95/EC  
AND 2002/96/EC FOR RoHS COMPLIANCY.



MH CONNECTORS LTD.

SCALE 1:1	SHEET OF 1 OF 1	REV: A
--------------	--------------------	-----------

DRAWING No  
MHRJ458P8CR