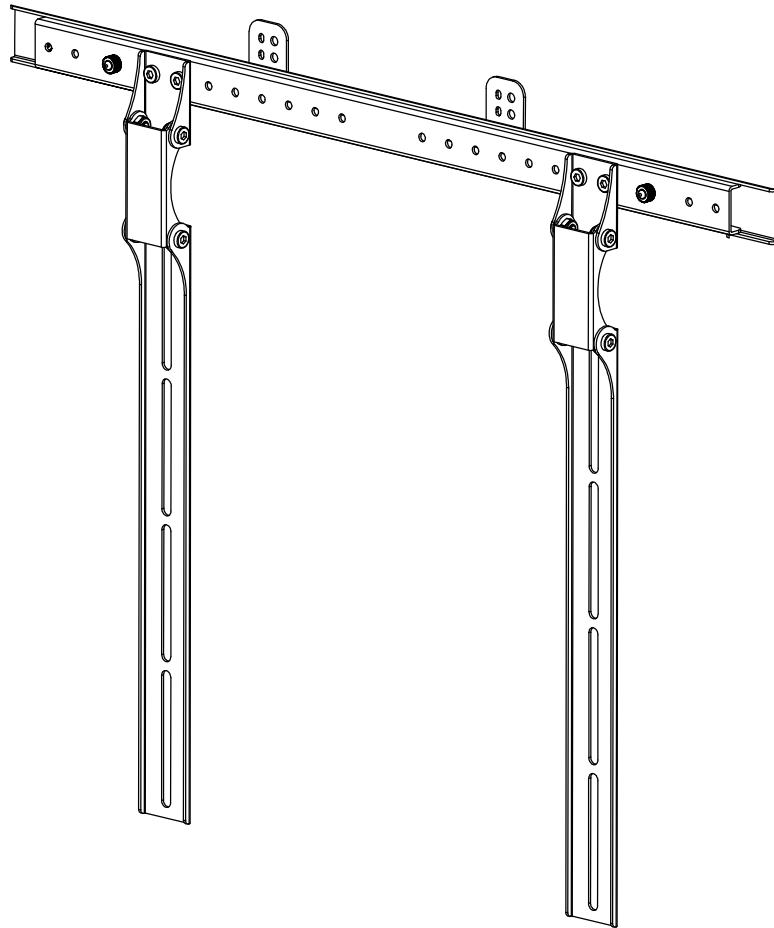


ASSEMBLY INSTRUCTION



MODEL: XD 5417

- Please read this instruction carefully before assembly.
- Fits for most of Soundbar.
- Weight Capacity : 10KG (22LBS).

Safety Warning:

Never let children climb on product or play with product.

Do not sit or stand on product.

Do not fasten a TV that is heavier than the recommended load rating to the mount.

Using suitable on concrete wall or wood stud wall.

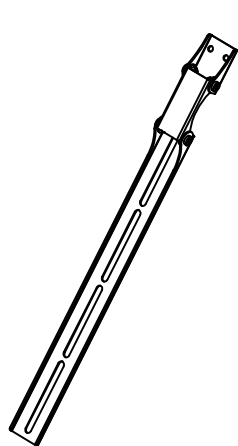
Improper installation may cause property damage and/or personal injury, so the installation must be done by two qualified contractors. The manufacture is not liable for damage or injury caused by incorrect mounting , assembly or use .

Improper handling can result in cuts and lacerations .

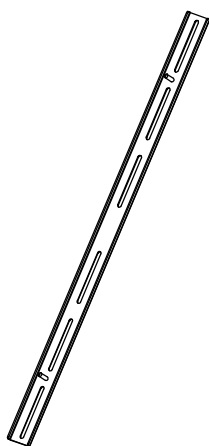
Pictures for reference only , subject to our available products .

Keep this instruction for future reference .

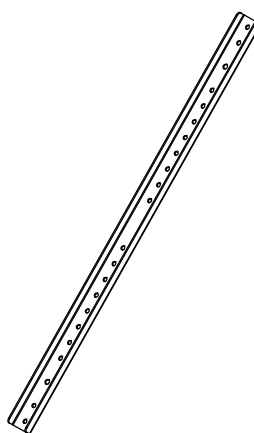
● Part list:



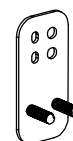
A-Bracket
2pcs



B-B Fixed arm
1pc







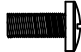





C-S Fixed arm
1pc



D-Connecting part
2pcs

● Hardware list:

				
a-Nut 8pcs	b-Keyhole bolt 2pcs	c-M6X8 bolt 4pcs	d-M4X16 bolt 2pcs	e-M5X16 bolt 2pcs
				
f-M6X16 bolt 2pcs	g-M8X20 bolt 2pcs	h-M8 washer 4pcs	i-M5 washer 4pcs	j-4mm Alley key 1pc

1.

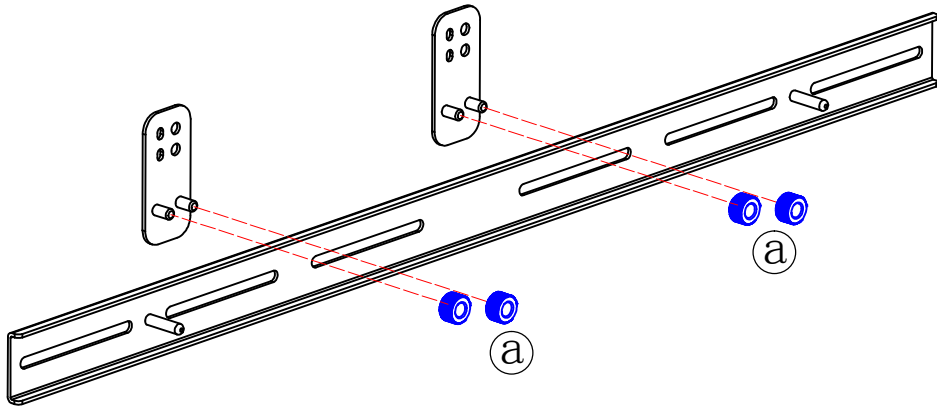


Figure 1

2.

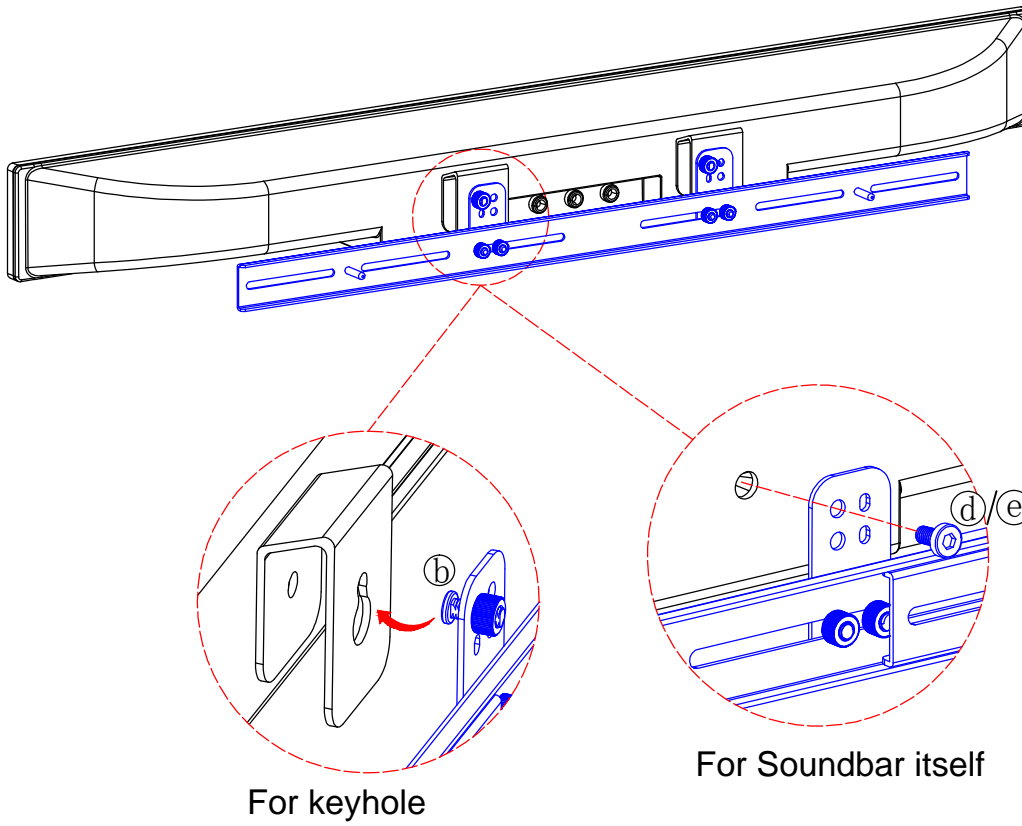


Figure 2

3.

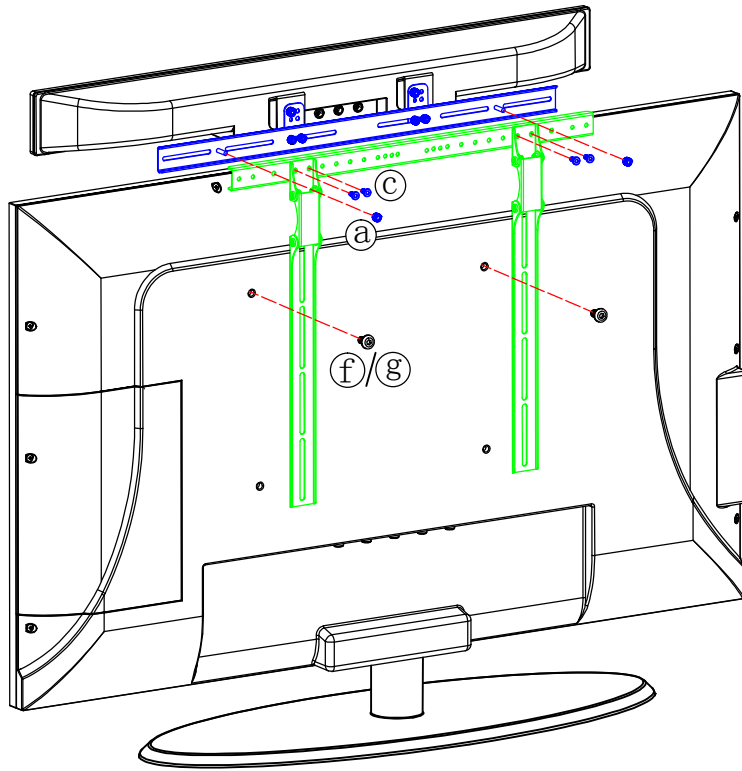


Figure 3

4.

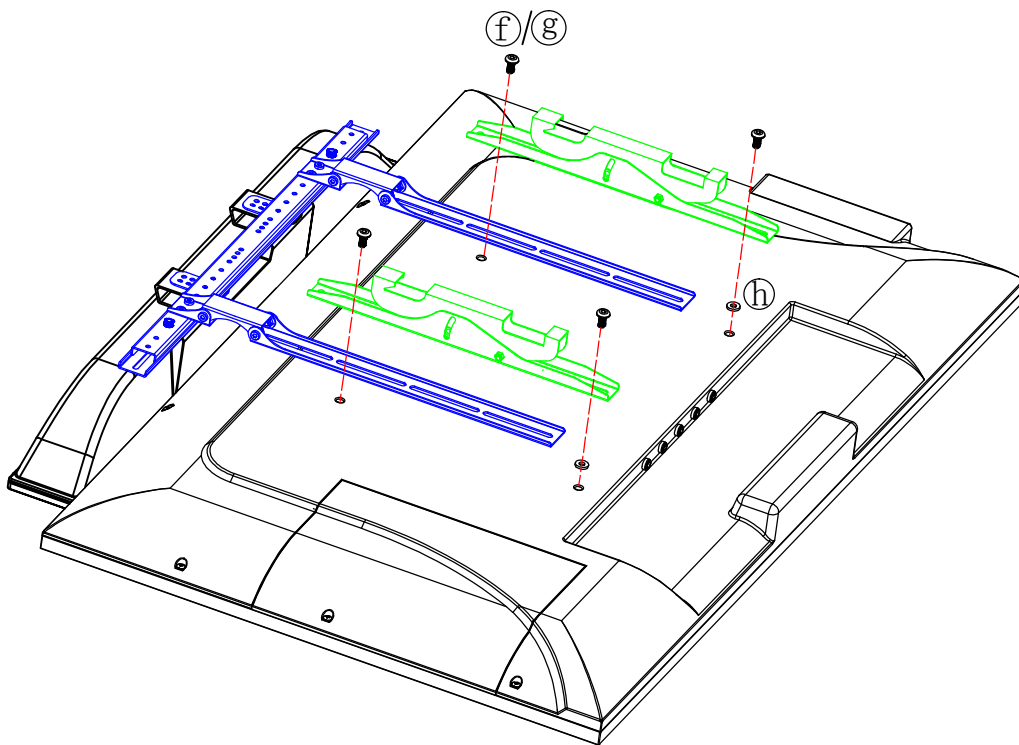


Figure 4

5.

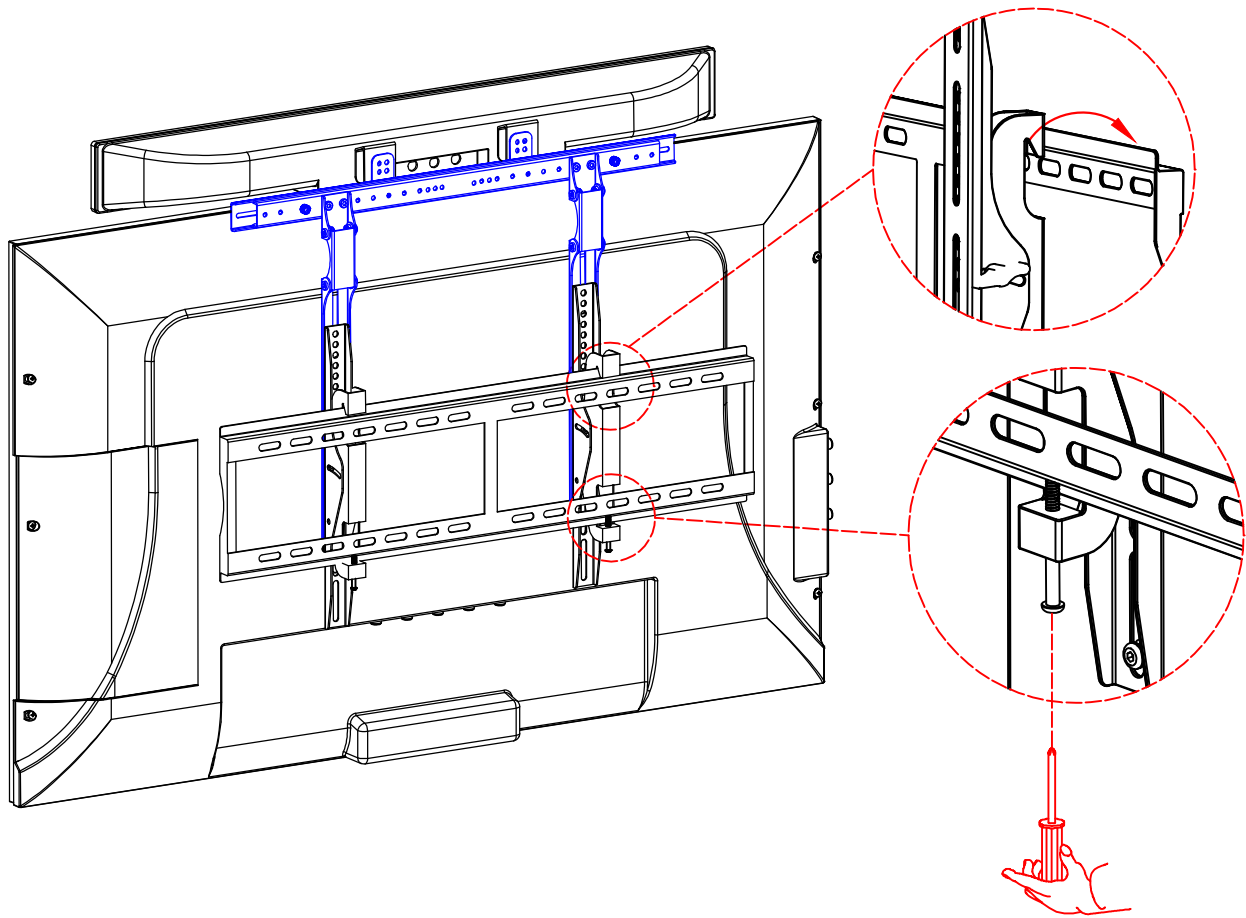


Figure 5

You can assemble it at the bottom of TV using the same step as above.