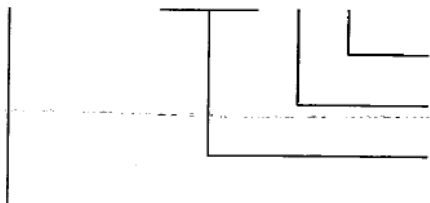


type no.:

D16LAR1- 1ab□□

RoHS
Compliant



□: Lens color

□: Lamps

1ab : 1NO+1NC

A : Alternate

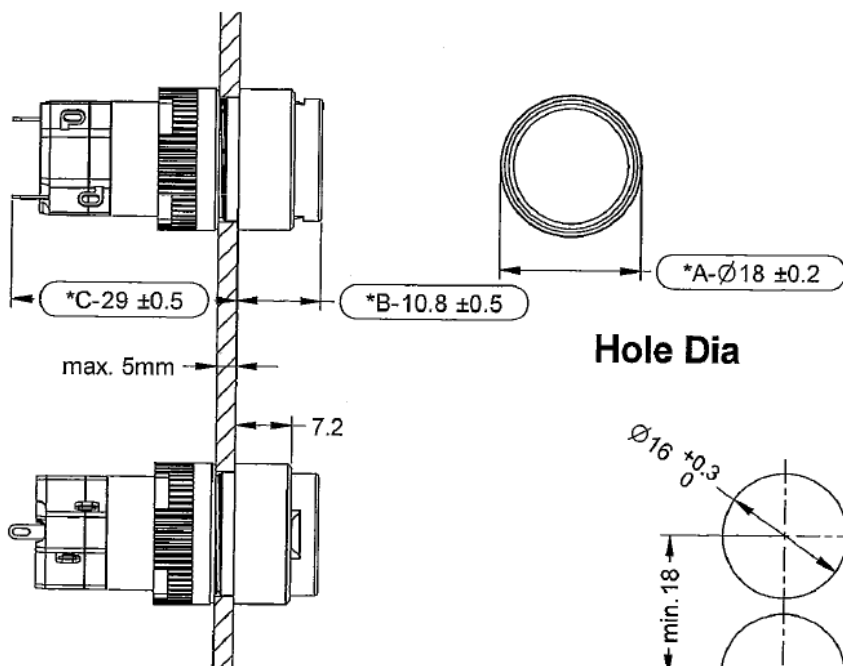
B : Blue
G : Green
O : Orange (amber)
R : Red
W : White (clear)
Y : Yellow

O : Without lamps
A : Incandescent 6V
AC/DC 200mA
B : Incandescent 14V
AC/DC 80mA
C : Incandescent 28V
AC/DC 40mA
F : Neon 110V/AC
G : Neon 220V/AC
H : LED 6V DC
J : LED 12V DC
K : LED 24V DC

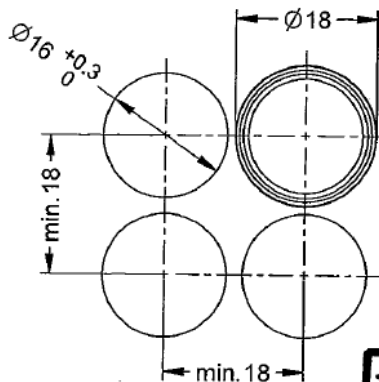
(Order no. codes)

order no.: D16LAR1-1ab□□/□□□□

Soldering Type Pushbutton Switch



Hole Dia



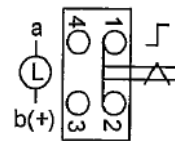
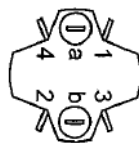
Product Specifications

- Mechanical lifetime : >2 million operations
- Electric rating : 250V AC 5A(VDE) 125V AC 8A
250V DC 0.2A 24V DC 6A
- Max. insulation voltage: >1300V 60Hz 1min. between all terminals
- Motion tolerance : <60 operation/min.
- Panel thickness : 0.5mm ~ 5mm
- Degree of protection : IP 40
- Storage temperature : -40°C to +85°C
- Operating temperature: -25°C to +55°C
(-25°C to +70°C without lamp)
- Contact resistance : 20mΩ (initial)

文件管制
JAN 14. 2013
文管中心

Bottom View

Electrical Diagram



Distributed by Conrad Electronic SE

DECA® SwitchLab Inc.

CONFIRMED & ACCEPTED BY:			
VERSION	E	CONFIRMED BY	<i>W. Schmidt</i>
DATE	2012/12/11	GENERAL MANAGER	<i>J. Schmid</i>