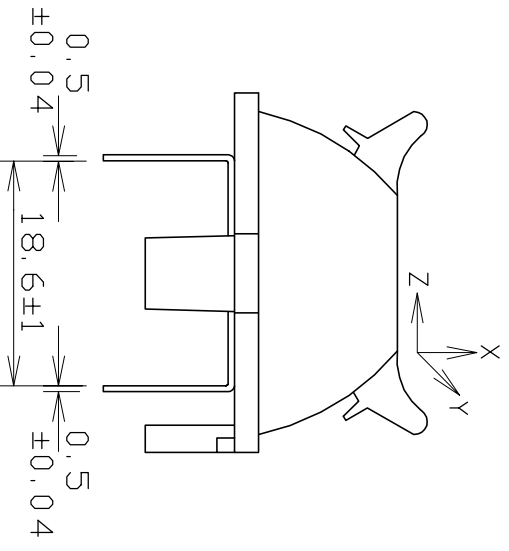
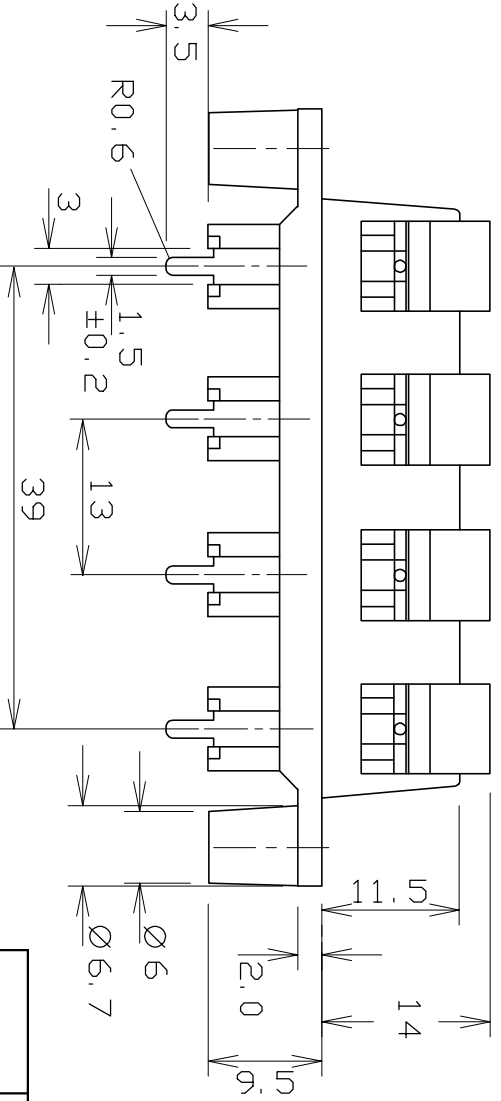


RATING: 7A @60V AC
 CONTACT RESISTANCE: <20mΩ @1A 25°C
 INSULATION RESISTANCE: >100MΩ @500V DC
 DIELECTRIC WITHSTANDING VOLTAGE: 1 minute @1200V AC
 OPERATING FORCE 800 ±100gm
 WIRE RETENTION (22AWG) 1kg-X / 500g-Y / 1kg-Z



PART NO	TERMINAL COLOURS							
	1	2	3	4	5	6	7	8
FE6930	RED	BLACK	BLACK	RED	RED	BLACK	BLACK	RED

Cliff Electronic Components Ltd.
 76 Holmehorne Avenue, Holmehorne Industrial Estate,
 Redhill, Surrey, RH1 2PF, England, UK
 Tel: 01737-771315 Fax: 01737-766012 Website: www.cliffuk.co.uk

DIMENSIONS IN MILLIMETERS UNLESS OTHERWISE STATED. WORK TO DIMENSIONS. REMOVE ALL BURRS. IF IN DOUBT ASK.
 MATERIAL: ABS UL-94 HB / BRASS CZ108 / SPRING STEEL
 FINISH: AS MOULDED / NICKEL PLATED
 DRAWN: T.J.O. APPROVED: D.P.J.

TITLE: PUSH TERMINAL (8 WAY)
 DRWG. No. FE6930

ROHS COMPLIANT

TOLERANCE
 NO DEC. PLACE ±
 1 DEC. PLACE ±
 2 DEC. PLACE ±
 HOLE Ø ±
 ANGLES ±
 UNLESS OTHERWISE STATED

DO NOT SCALE

No.	REVISION	DATE
1	ISSUED	24/03/99
2	WAS 1st ANGLE-UPDATE	10/01/11