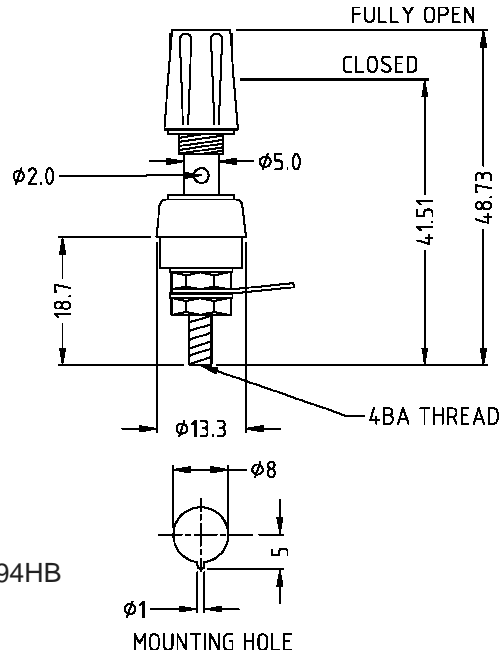


CLIFF

TERMINAL SERIES TP/2



Current Rating: 15A.
Flammability: Min UL94HB



CL1550A - TP/2 BLACK
ASSEMBLED



CL1554A - TP/2 WHITE
ASSEMBLED



CL1551A - TP/2 RED
ASSEMBLED



CL1557A - TP/2 YELL
UNASSEMBLED



CL1553A - TP/2 GREEN
ASSEMBLED

For further information, contact: sales@cliffuk.co.uk

Cliff Electronic Components Limited,
76 Holmethorpe Avenue, Holmethorpe Ind. Estate,
Redhill, Surrey RH1 2PF U.K.
Tel: +44 (0)1737 771375 Fax: +44 (0)1737 766012



Visit us online at:

www.cliffuk.co.uk

